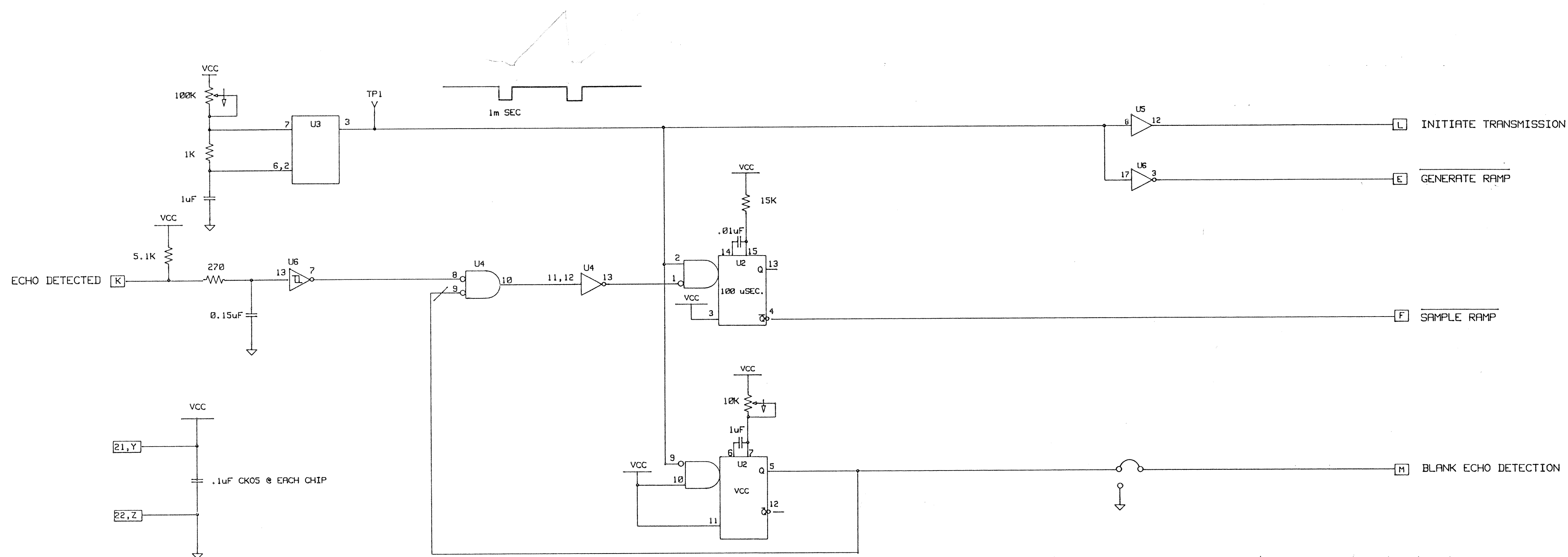
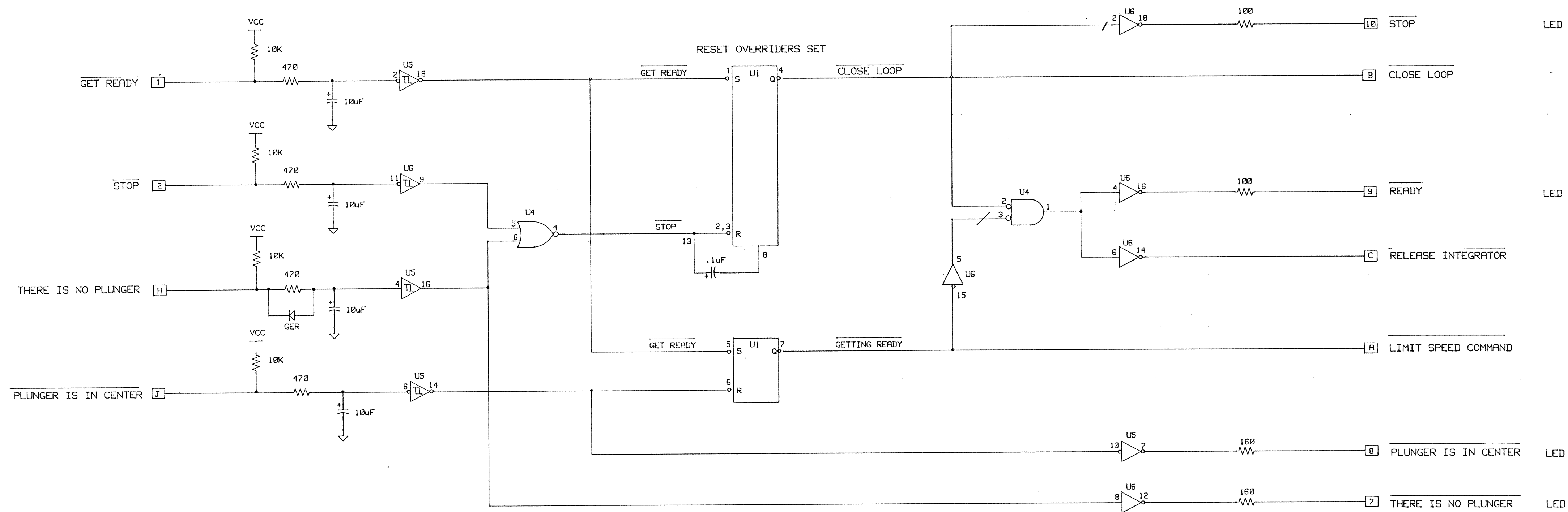


REV.	CHANGES	DRAWN	DATE	CHKD.	DATE

PART LIST					
DESIGNATION	DESCRIPTION	STOCK NO.	VCC	DGND	+12 -12 AGND
U1	74LS279	16	8		
U2	74LS123	16	8		
U3	555	4,8	1		
U4	74LS02	14	7		
U5	74LS244	20	1,19,10		
U6	74LS240	20	1,19,10		



TITLE					
WIRE CHAMBER WINDER					
WIRE FEED CONTROL CHASSIS					
OPERATIONS CONTROL CARD					
DRAWN	E. MITCHELL	DATE	3-9-93	LAWRENCE BERKELEY LABORATORY	
CHECKED	E.M.	DATE	11-19-93	UNIVERSITY OF CALIFORNIA	
APPROVED		DATE		OFFICE OF ELECTRONICS ENGINEERING	
ENGINEER	MARK NYMAN	FILE NO.	4Y58952	SIZE	4
SCALE	N.T.S.	DRAWING NO.	14Y5894 S-2	REV.	0
HPCAD58 / BRODZL / MARKOV / UPDATE 3-3-95		SHEET 3 OF 6			