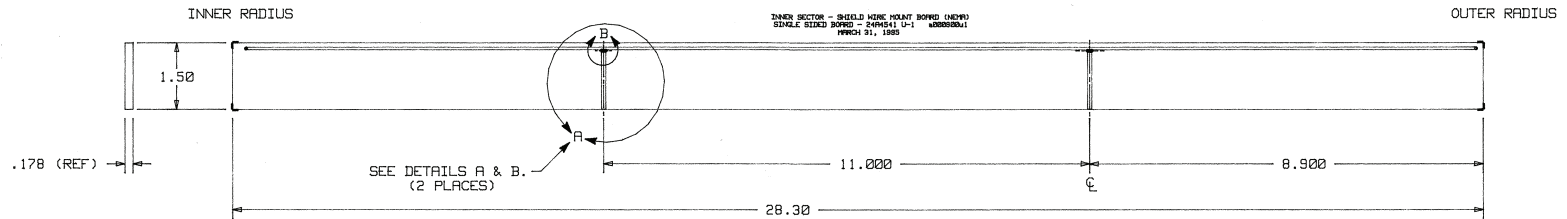
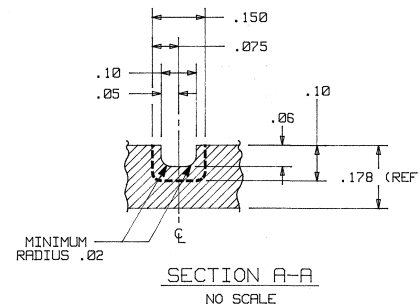
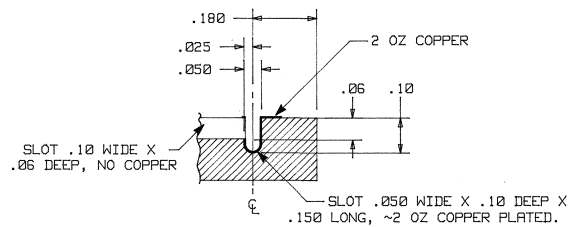
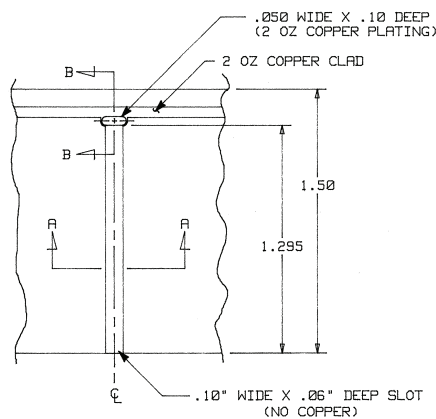
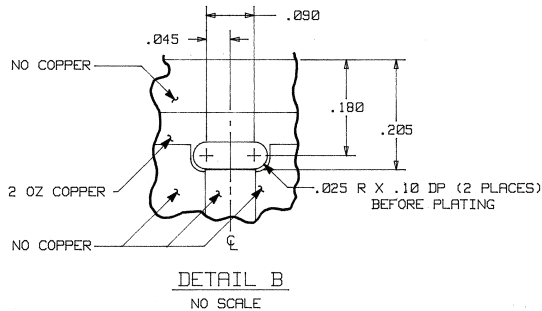


REV.	CHANGES	DRAWN	DATE	CHKD.	DATE



WIRE MOUNT SIDE VIEW  
SCALE: ~.5:1



Note 5 below  
MILLING changed to Routing

NOTES:

- BOARD MATERIAL: .178 THICK NEMA G10, CERTIFIED BROMIDE FREE, 2 OZ. COPPER CLAD - ONE SIDE. THERE IS NO TIN PLATING ON THIS BOARD. MATERIAL WILL BE SUPPLIED BY LBL. THIS IS A SINGLE SIDED BOARD.
- MANUFACTURER MAY NOT PUT ANY IDENTIFICATION NOMENCLATURE ON PRINTED CIRCUIT BOARD, EITHER SIDE.
- BOARD SIZE IS 28.30 LONG X 1.50 WIDE X .178 THICK. DIMENSIONS ARE IN INCHES. TOLERANCES ARE .XX = .015 AND .XXX = .005.
- CREATE SLOTS BEFORE COPPER PLATING.
- FINAL BOARD DIMENSIONS ARE 28.100 LONG X 1.389 WIDE X .178 THICK. SEE DRAWING 24A4594 FOR MILLING ROUTING INSTRUCTIONS. FINAL ROUTING TO BE DONE BY LBL
- REFERENCE DRAWINGS:  
24A4534 M-2 a000900m2 BOARD OUTLINE/FABRICATION - PANEL OF 10 BOARDS - ELECTRONIC DEPARTMENT  
24A4594 - SHIELD WIRE MOUNT BOARD (RIGHT SIDE, G-10) FAB. FROM MECHANICAL DEPARTMENT)

D I:	TITLE	STAR TPC
I II:	INNER SECTOR ELECTRONICS	
T III:	SHIELD GRID WIRE MOUNT BOARD (RIGHT, G10)	
SHOW ON	BOARD OUTLINE/FABRICATION	
ACCOUNT NUMBER	8052-24	DRAWN DATE 03/31/85
SCALE NUMBER	CHECKED	DATE
DATE ISSUED	NO. RECD.	APPROVED DATE
DATE RECD.	ENGINEER	FILE NO.
REV.	FRED BIESER	SIZE
		DRAWING NO.
		24A4543 M-1
	SCALE NONE	E2, E5, E12
		SHEET 1 OF 2

For December 2016 Order, please ignore any reference to Copper plating. We are making a dummy board.