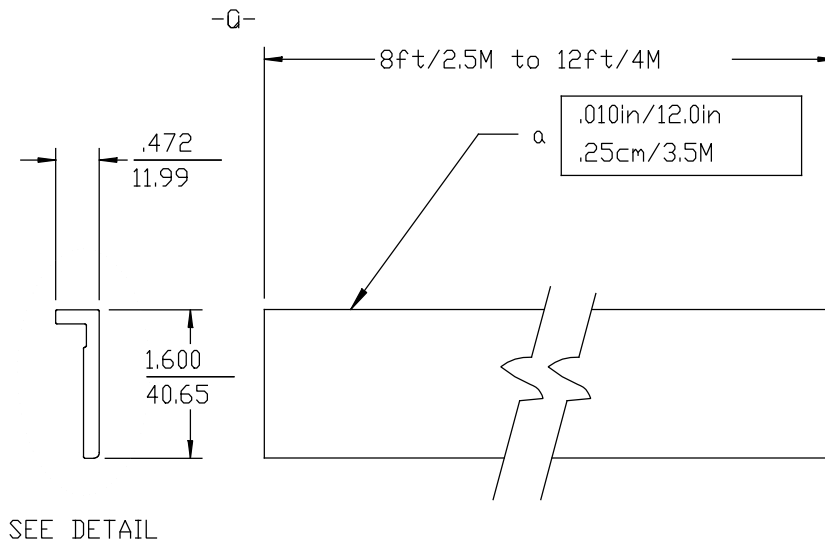
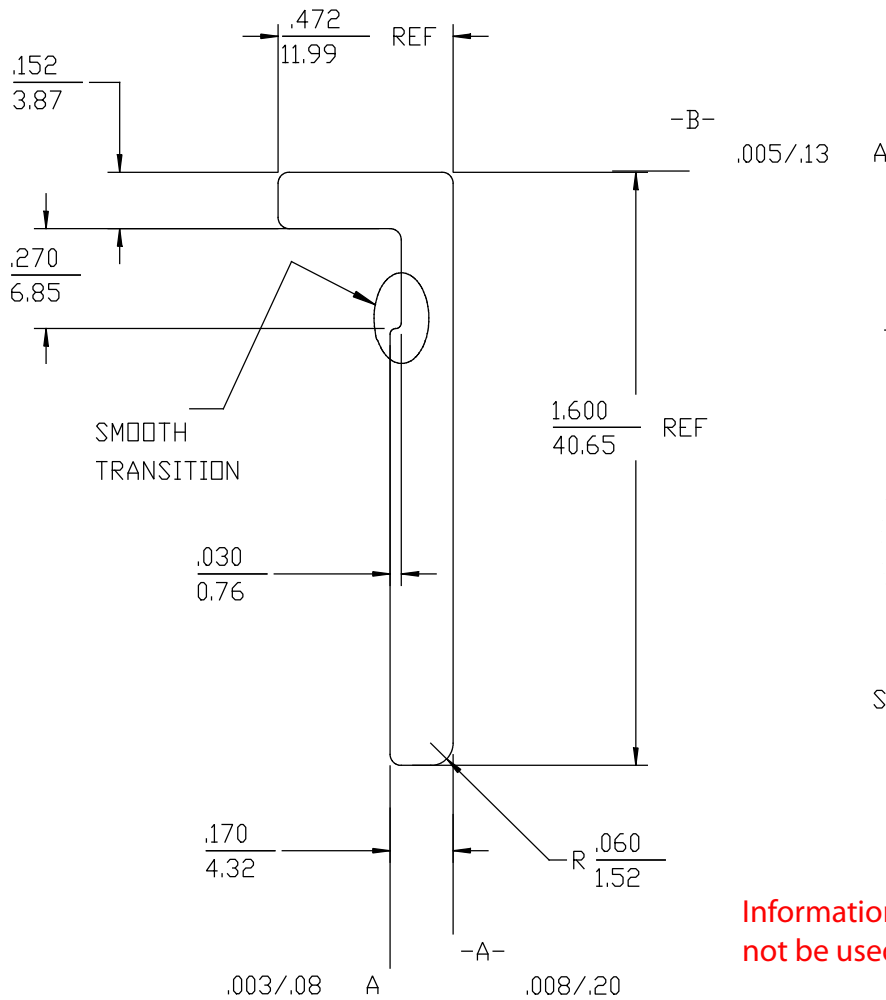


ITEM	REQ	PART NUMBER	DESCRIPTION
1	X	Part Number	Material/Parts Call-Out
			ALUMINUM 6063-T5



24A4023A

- NOTE
1. ALL RADII .015" UNLESS OTHERWISE NOTED
 2. WEIGHT: .30 lbs/ft
 3. TWIST NOT TO EXCEED .010/12

Information Only: This drawing will not be used for the 2017 production

DETAIL
SCALE 4:1

				UNLESS OTHERWISE SPECIFIED		SHOP ORDERS		LAWRENCE BERKELEY LABORATORY UNIVERSITY OF CALIFORNIA - BERKELEY			
				ALL DIMENSIONS ARE INCHES CENTIMETERS		ACCT. NO. SER. NO.		STAR DRAWING NUMBER REV.		RHIC DRAWING NUMBER REV.	
						DATE ISS'D DATE REQ'D		TPC359-C-1 A		XXXXXXXXXX -	
				FINISHES .XX/.X = ±.06/.15 .XX/.X = ±.02/.005 0.XXX/.XX = ±.005/.01		FINISHES ANGLES ±5° FINISH 125/.32		DELIVER TO		RHIC-STAR-TPC INNER SECTOR	
				SAVED, FLAMECUT, SHEARED OR STOCK FINISH		SURFACE TREATMENT DEGREASE		GATED GRID WIREMOUNT EXTRUSION			
				ALL SCREW THREADS ARE ISO METRIC CLASS 6 BREAK EDGES .020/.05 MAX ON MACHINE WORK.		IDENTIFICATION METHOD TAG		PATENT CLEAR DRAWING TYPE DETAIL		SCALE: FULL DO NOT SCALE PRINTS	
A JB 950403 STAR LOGO, METRIC, STAR#				REFERENCE - ANSI Y14.5 & B46.1		DRAWN BY J. BOEHM		DESIGN ACCOUNT 8052-24		CATEGORY CODE SR-02-04	
REV. DWN. CHK. DATE CHANGES						DATE 94/01/21		MICROFILMED		LRL DRAWING NUMBER 24A4023	