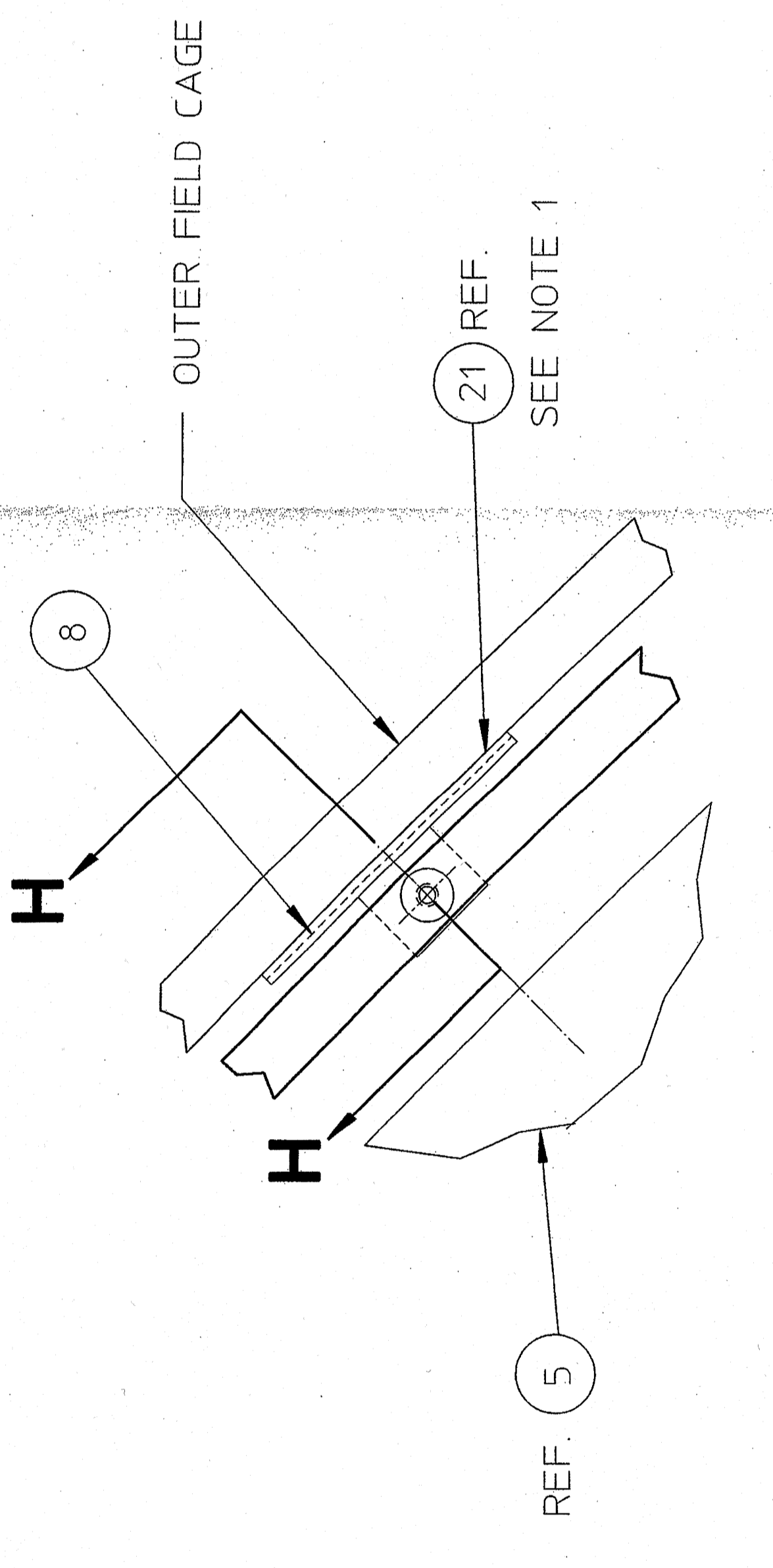
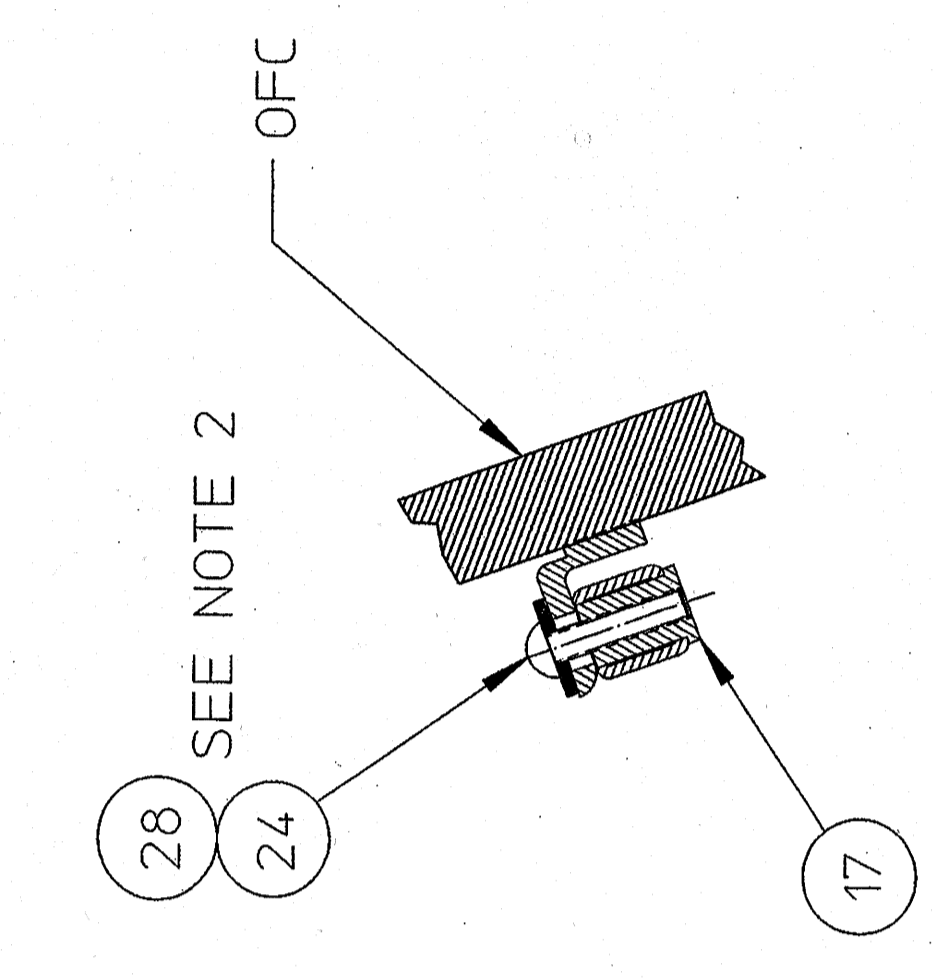


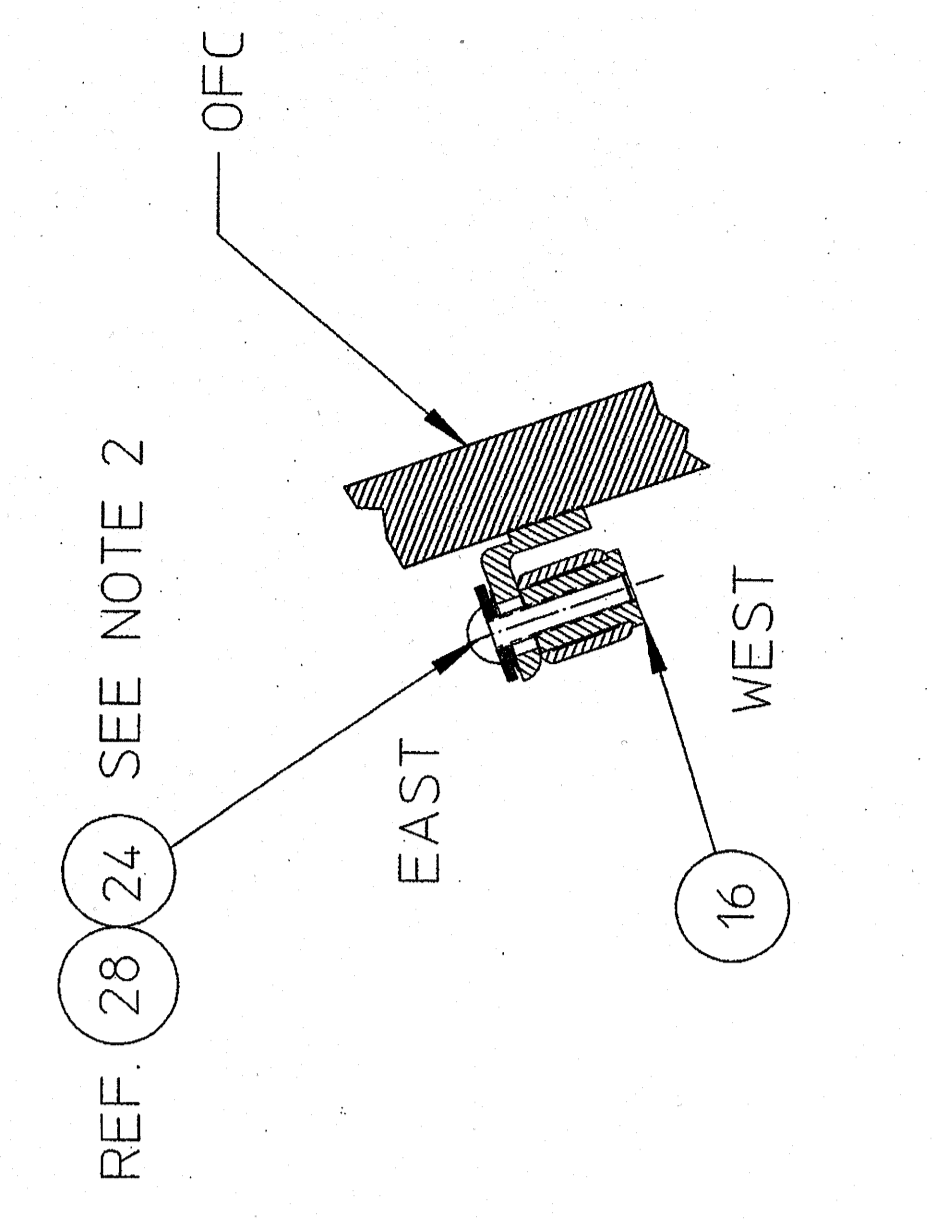
DETAIL C
 6X - ROTATED FOR CLARITY
 SCALE: 1/1



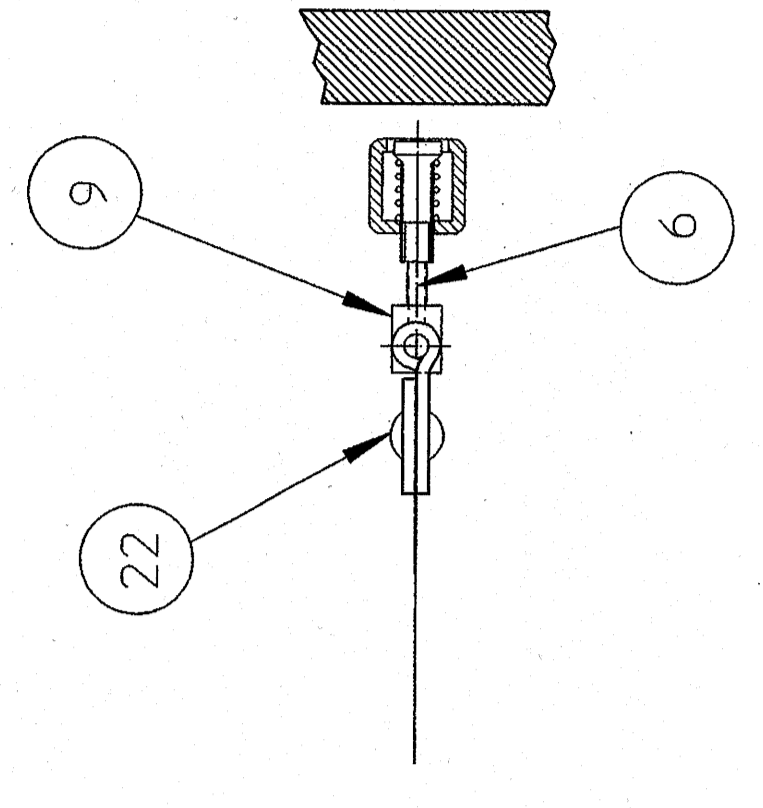
DETAIL B
 36X 10°
 SCALE: 1/1



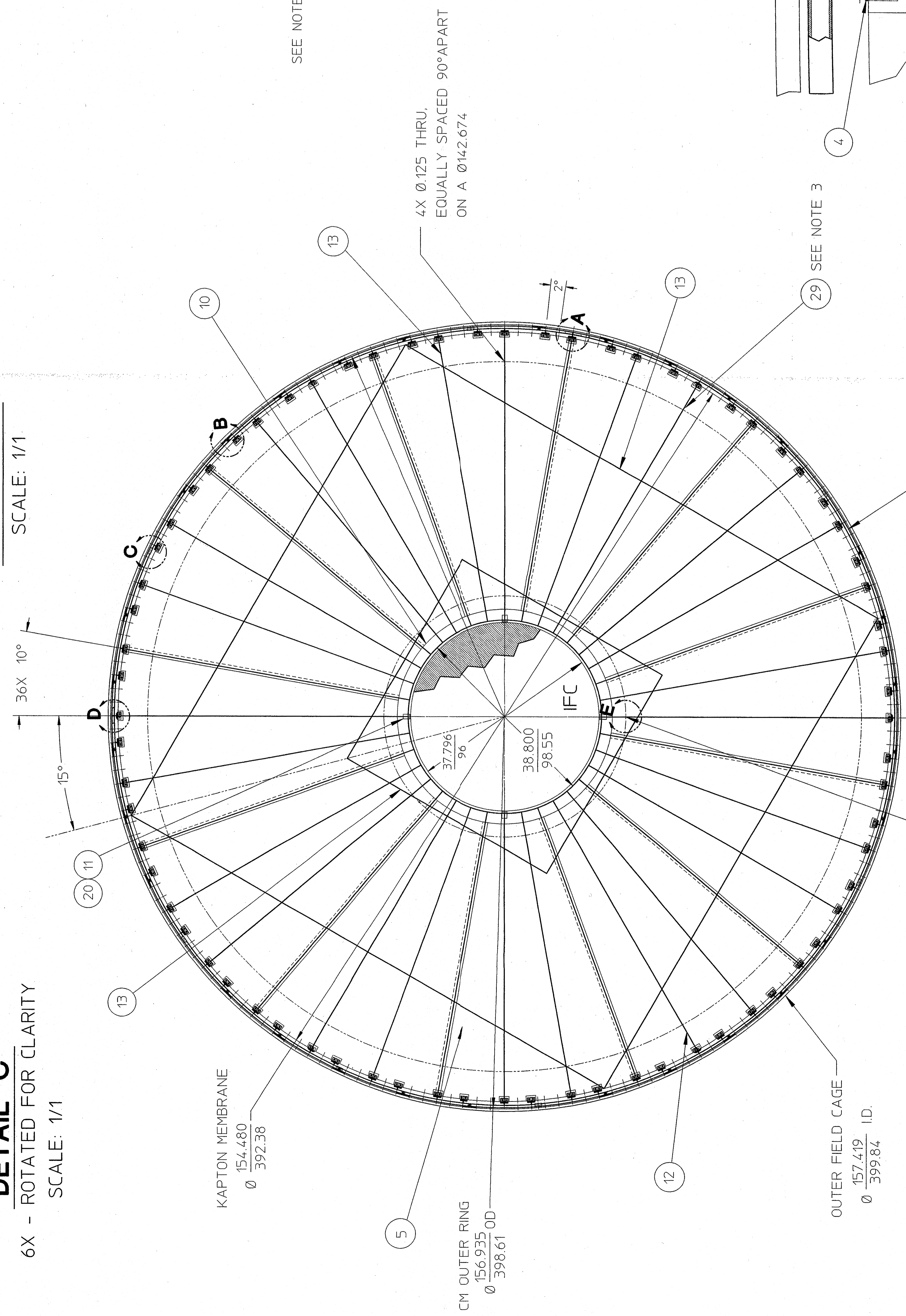
SECT: "H-H"
 2X FIXED LOCATIONS
 SCALE: 1/1



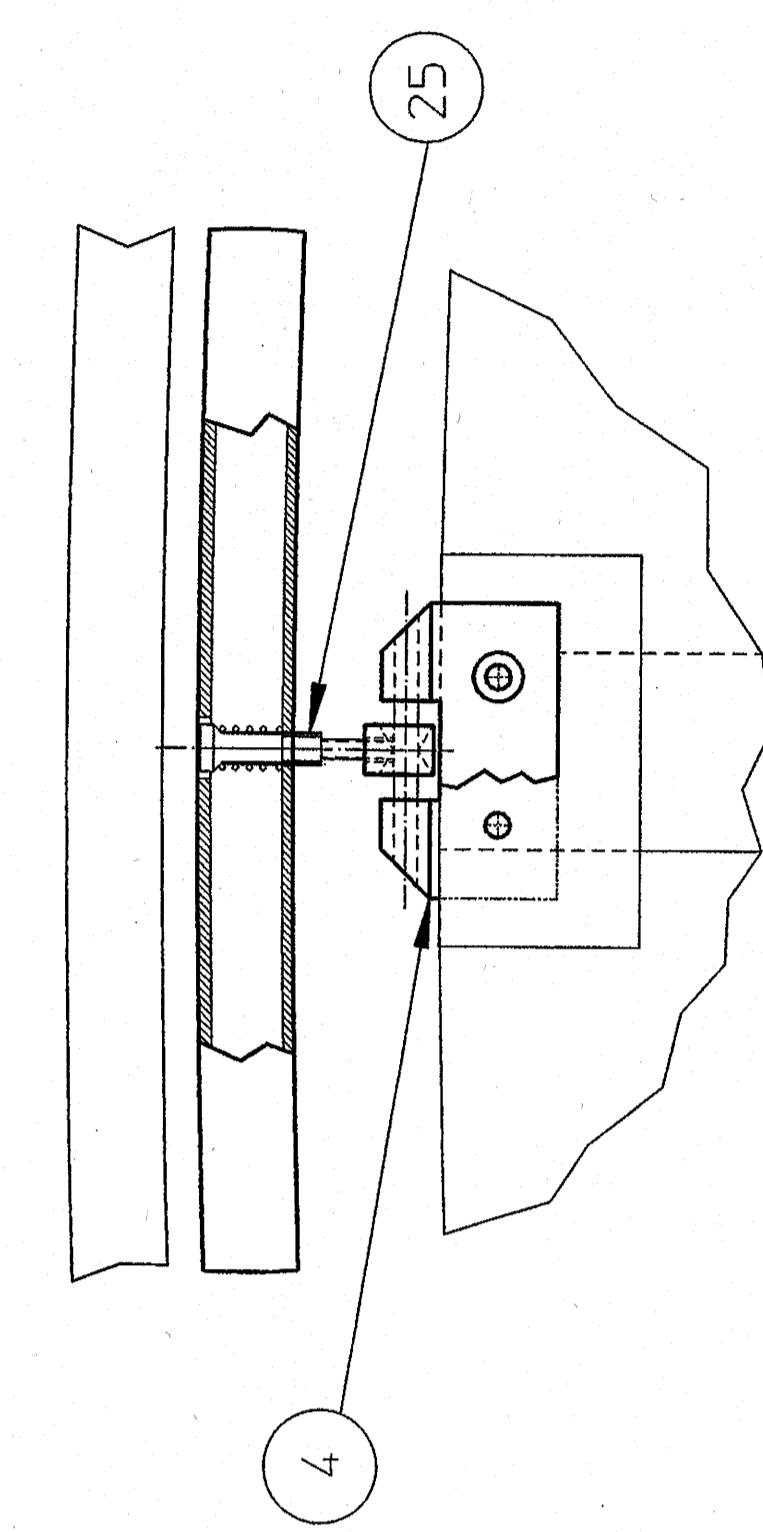
SECT: "H-H"
 28X FLOATING LOCATIONS
 SCALE: 1/1



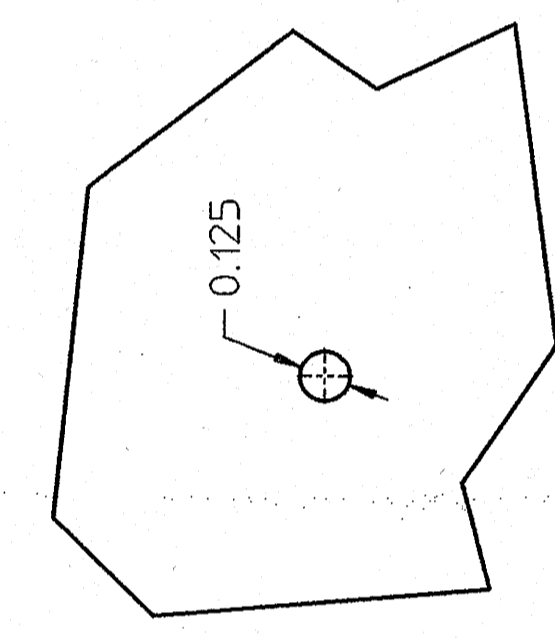
SECT: "G-G"
 174X - ROTATED FOR CLARITY
 SCALE: 1/1



DETAIL A
 174X - ROTATED FOR CLARITY
 SCALE: 1/1



DETAIL D
 TYP. 6 PLS, EVENLY SPACED
 AT LASER LOCATIONS
 SCALE: 1/1



DETAIL E
 TYP. 8 PLS
 SCALE: 2:1

- NOTES:**
1. APPLY TO MATING SURFACES OF OFC AND 8 AS REQUIRED.
 2. ITEM 8 IS TO BE CLOCKED AND EPOXIED AT APPROXIMATELY 2:00 O'CLOCK AND SPACED 10° APART EXCEPT WHERE COUPLED AND STRONGBACKS EXIST. LOCATIONS 2 & 10 ARE TO BE THE FIXED MOUNTING LOCATIONS, WHILE THE OTHER LOCATIONS ARE FOR LOCATING THE CENTRAL MEMBRANE IN IT'S PLANAR LOCATION.
 3. APPLY AT ALL SEAMS AS REQUIRED DURING ASSEMBLY PROCESS OF THE KAPTON MEMBRANE.
 4. INSTALL ON INSIDE OF KAPTON REINFORCEMENT STRIPS.

ITEM NO.	REV.	DESCRIPTION	DATE	BY	CHKD.
29	A/R	ADHESIVE TAPE 3/4" WIDE 3-M NO. 9460			
28	12	PRESENT SPRING WASHER BERYLLIUM COPPER 0.931 D. X .437 OD			
27	180	COPPER BERYLLIUM SPRING 210 OD X .058 DIA X 5/16" LG.			
26	12	1/4"-20 X 1/2" LG. HEX HEAD SCREW, SILICON BRONZE			
25	180	SHRINK TUBING CLEAR Ø.220 O.D. X .006 WALL			
24	30	8-32 X 3/4" LG. ROUND HEAD SCREW, BRASS			
23	10	1/4"-20 X 1/2" LG. FLAT HEAD SCREW, BRASS			
22	360	POP RIVETS, ALUMINUM, Ø.125 X .125 LG.			
21	A/R	EPOXY: HYSOL ADHESIVE NO. 95093			
20	180	KAPTON DUPONT #275 XC, 230 OHM/SQIN.			
19	180	KAPTON DUPONT #275 XC, 230 OHM/SQIN.			
18	A/R	SURFACE RESISTIVITY, .0028" THK, 2" X 1/2"			
17	2	ADHESIVE TAPE, T WIDE, 3-M NO. 9460			
16	30	THREADED INSERT (ALUMINUM)			
15	12	OFC RING MOUNT			
14	180	ALUMINUM FILM STRIPS - LONG DIAGONAL STRIPS			
13	12	ALUMINUM FILM STRIPS - SHORT DIAGONAL STRIPS			
12	36	ALUMINUM FILM STRIPS - RADIAL STRIPS			
11	4	FC CONTACT STRIP			
10	4	MYLAR RINGS			
9	180	CLEVIS			
8	6	STRONG-BACK CLIPS			
7	180	SPOKE NIPPLE			
6	180	THREADED SPOKE			
5	1	KAPTON MEMBRANE			
4	6	MEMBRANE GRIP - CHAMFERED			
3	180	MEMBRANE GRIP			
2	174	MEMBRANE GRIP			
1	6	60° OUTER RING SEGMENT			

ITEM NO.	REV.	DESCRIPTION	DATE	BY	CHKD.
29	A/R	ADHESIVE TAPE 3/4" WIDE 3-M NO. 9460			
28	12	PRESENT SPRING WASHER BERYLLIUM COPPER 0.931 D. X .437 OD			
27	180	COPPER BERYLLIUM SPRING 210 OD X .058 DIA X 5/16" LG.			
26	12	1/4"-20 X 1/2" LG. HEX HEAD SCREW, SILICON BRONZE			
25	180	SHRINK TUBING CLEAR Ø.220 O.D. X .006 WALL			
24	30	8-32 X 3/4" LG. ROUND HEAD SCREW, BRASS			
23	10	1/4"-20 X 1/2" LG. FLAT HEAD SCREW, BRASS			
22	360	POP RIVETS, ALUMINUM, Ø.125 X .125 LG.			
21	A/R	EPOXY: HYSOL ADHESIVE NO. 95093			
20	180	KAPTON DUPONT #275 XC, 230 OHM/SQIN.			
19	180	KAPTON DUPONT #275 XC, 230 OHM/SQIN.			
18	A/R	SURFACE RESISTIVITY, .0028" THK, 2" X 1/2"			
17	2	ADHESIVE TAPE, T WIDE, 3-M NO. 9460			
16	30	THREADED INSERT (ALUMINUM)			
15	12	OFC RING MOUNT			
14	180	ALUMINUM FILM STRIPS - LONG DIAGONAL STRIPS			
13	12	ALUMINUM FILM STRIPS - SHORT DIAGONAL STRIPS			
12	36	ALUMINUM FILM STRIPS - RADIAL STRIPS			
11	4	FC CONTACT STRIP			
10	4	MYLAR RINGS			
9	180	CLEVIS			
8	6	STRONG-BACK CLIPS			
7	180	SPOKE NIPPLE			
6	180	THREADED SPOKE			
5	1	KAPTON MEMBRANE			
4	6	MEMBRANE GRIP - CHAMFERED			
3	180	MEMBRANE GRIP			
2	174	MEMBRANE GRIP			
1	6	60° OUTER RING SEGMENT			

ITEM NO.	REV.	DESCRIPTION	DATE	BY	CHKD.
29	A/R	ADHESIVE TAPE 3/4" WIDE 3-M NO. 9460			
28	12	PRESENT SPRING WASHER BERYLLIUM COPPER 0.931 D. X .437 OD			
27	180	COPPER BERYLLIUM SPRING 210 OD X .058 DIA X 5/16" LG.			
26	12	1/4"-20 X 1/2" LG. HEX HEAD SCREW, SILICON BRONZE			
25	180	SHRINK TUBING CLEAR Ø.220 O.D. X .006 WALL			
24	30	8-32 X 3/4" LG. ROUND HEAD SCREW, BRASS			
23	10	1/4"-20 X 1/2" LG. FLAT HEAD SCREW, BRASS			
22	360	POP RIVETS, ALUMINUM, Ø.125 X .125 LG.			
21	A/R	EPOXY: HYSOL ADHESIVE NO. 95093			
20	180	KAPTON DUPONT #275 XC, 230 OHM/SQIN.			
19	180	KAPTON DUPONT #275 XC, 230 OHM/SQIN.			
18	A/R	SURFACE RESISTIVITY, .0028" THK, 2" X 1/2"			
17	2	ADHESIVE TAPE, T WIDE, 3-M NO. 9460			
16	30	THREADED INSERT (ALUMINUM)			
15	12	OFC RING MOUNT			
14	180	ALUMINUM FILM STRIPS - LONG DIAGONAL STRIPS			
13	12	ALUMINUM FILM STRIPS - SHORT DIAGONAL STRIPS			
12	36	ALUMINUM FILM STRIPS - RADIAL STRIPS			
11	4	FC CONTACT STRIP			
10	4	MYLAR RINGS			
9	180	CLEVIS			
8	6	STRONG-BACK CLIPS			
7	180	SPOKE NIPPLE			
6	180	THREADED SPOKE			
5	1	KAPTON MEMBRANE			
4	6	MEMBRANE GRIP - CHAMFERED			
3	180	MEMBRANE GRIP			
2	174	MEMBRANE GRIP			
1	6	60° OUTER RING SEGMENT			

ITEM NO.	REV.	DESCRIPTION	DATE	BY	CHKD.
29	A/R	ADHESIVE TAPE 3/4" WIDE 3-M NO. 9460			
28	12	PRESENT SPRING WASHER BERYLLIUM COPPER 0.931 D. X .437 OD			
27	180	COPPER BERYLLIUM SPRING 210 OD X .058 DIA X 5/16" LG.			
26	12	1/4"-20 X 1/2" LG. HEX HEAD SCREW, SILICON BRONZE			
25	180	SHRINK TUBING CLEAR Ø.220 O.D. X .006 WALL			
24	30	8-32 X 3/4" LG. ROUND HEAD SCREW, BRASS			
23	10	1/4"-20 X 1/2" LG. FLAT HEAD SCREW, BRASS			
22	360	POP RIVETS, ALUMINUM, Ø.125 X .125 LG.			
21	A/R	EPOXY: HYSOL ADHESIVE NO. 95093			
20	180	KAPTON DUPONT #275 XC, 230 OHM/SQIN.			
19	180	KAPTON DUPONT #275 XC, 230 OHM/SQIN.			
18	A/R	SURFACE RESISTIVITY, .0028" THK, 2" X 1/2"			
17	2	ADHESIVE TAPE, T WIDE, 3-M NO. 9460			
16	30	THREADED INSERT (ALUMINUM)			
15	12	OFC RING MOUNT			
14	180	ALUMINUM FILM STRIPS - LONG DIAGONAL STRIPS			
13	12	ALUMINUM FILM STRIPS - SHORT DIAGONAL STRIPS			
12	36	ALUMINUM FILM STRIPS - RADIAL STRIPS			
11	4	FC CONTACT STRIP			
10	4	MYLAR RINGS			
9	180	CLEVIS			
8	6	STRONG-BACK CLIPS			
7	180	SPOKE NIPPLE			
6	180	THREADED SPOKE			
5	1	KAPTON MEMBRANE			
4	6	MEMBRANE GRIP - CHAMFERED			
3	180	MEMBRANE GRIP			
2	174	MEMBRANE GRIP			
1	6	60° OUTER RING SEGMENT			

ITEM NO.	REV.	DESCRIPTION	DATE	BY	CHKD.
29	A/R	ADHESIVE TAPE 3/4" WIDE 3-M NO. 9460			
28	12	PRESENT SPRING WASHER BERYLLIUM COPPER 0.931 D. X .437 OD			
27	180	COPPER BERYLLIUM SPRING 210 OD X .058 DIA X 5/16" LG.			
26	12	1/4"-20 X 1/2" LG. HEX HEAD SCREW, SILICON BRONZE			
25	180	SHRINK TUBING CLEAR Ø.220 O.D. X .006 WALL			
24	30	8-32 X 3/4" LG. ROUND HEAD SCREW, BRASS			
23	10	1/4"-20 X 1/2" LG. FLAT HEAD SCREW, BRASS			
22	360	POP RIVETS, ALUMINUM, Ø.125 X .125 LG.			
21	A/R	EPOXY: HYSOL ADHESIVE NO. 95093			
20	180	KAPTON DUPONT #275 XC, 230 OHM/SQIN.			
19	180	KAPTON DUPONT #275 XC, 230 OHM/SQIN.			
18	A/R	SURFACE RESISTIVITY, .0028" THK, 2" X 1/2"			
17	2	ADHESIVE TAPE, T WIDE, 3-M NO. 9460			
16	30	THREADED INSERT (ALUMINUM)			
15	12	OFC RING MOUNT			
14	180	ALUMINUM FILM STRIPS - LONG DIAGONAL STRIPS			
13	12	ALUMINUM FILM STRIPS - SHORT DIAGONAL STRIPS			
12	36	ALUMINUM FILM STRIPS - RADIAL STRIPS			
11	4	FC CONTACT STRIP			
10	4	MYLAR RINGS			
9	180	CLEVIS			
8	6	STRONG-BACK CLIPS			
7	180	SPOKE NIPPLE			
6	180	THREADED SPOKE			
5	1	KAPTON MEMBRANE			
4	6	MEMBRANE GRIP - CHAMFERED			
3	180	MEMBRANE GRIP			
2	174	MEMBRANE GRIP			
1	6	60° OUTER RING SEGMENT			

ITEM NO.	REV.	DESCRIPTION	DATE	BY	CHKD.
29	A/R	ADHESIVE TAPE 3/4" WIDE 3-M NO. 9460			
28	12	PRESENT SPRING WASHER BERYLLIUM COPPER 0.931 D. X .437 OD			
27	180	COPPER BERYLLIUM SPRING 210 OD X .058 DIA X 5/16" LG.			
26	12	1/4"-20 X 1/2" LG. HEX HEAD SCREW, SILICON BRONZE			
25	180	SHRINK TUBING CLEAR Ø.220 O.D. X .006 WALL			
24	30	8-32 X 3/4" LG. ROUND HEAD SCREW, BRASS			
23	10	1/4"-20 X 1/2" LG. FLAT HEAD SCREW, BRASS			
22	360	POP RIVETS, ALUMINUM, Ø.125 X .125 LG.			
21	A/R	EPOXY: HYSOL ADHESIVE NO. 95093			
20	180	KAPTON DUPONT #275 XC, 230 OHM/SQIN.			
19	180	KAPTON DUPONT #275 XC, 230 OHM/SQIN.			
18	A/R	SURFACE RESISTIVITY, .0028" THK, 2" X 1/2"			
17	2	ADHESIVE TAPE, T WIDE, 3-M NO. 9460			
16	30	THREADED INSERT (ALUMINUM)			
15	12	OFC RING MOUNT			
14	180	ALUMINUM FILM STRIPS - LONG DIAGONAL STRIPS			
13	12	ALUMINUM FILM STRIPS - SHORT DIAGONAL STRIPS			
12	36	ALUMINUM FILM STRIPS - RADIAL STRIPS			
11	4	FC CONTACT STRIP			
10	4	MYLAR RINGS			
9	180	CLEVIS			
8	6	STRONG-BACK CLIPS			
7	180				