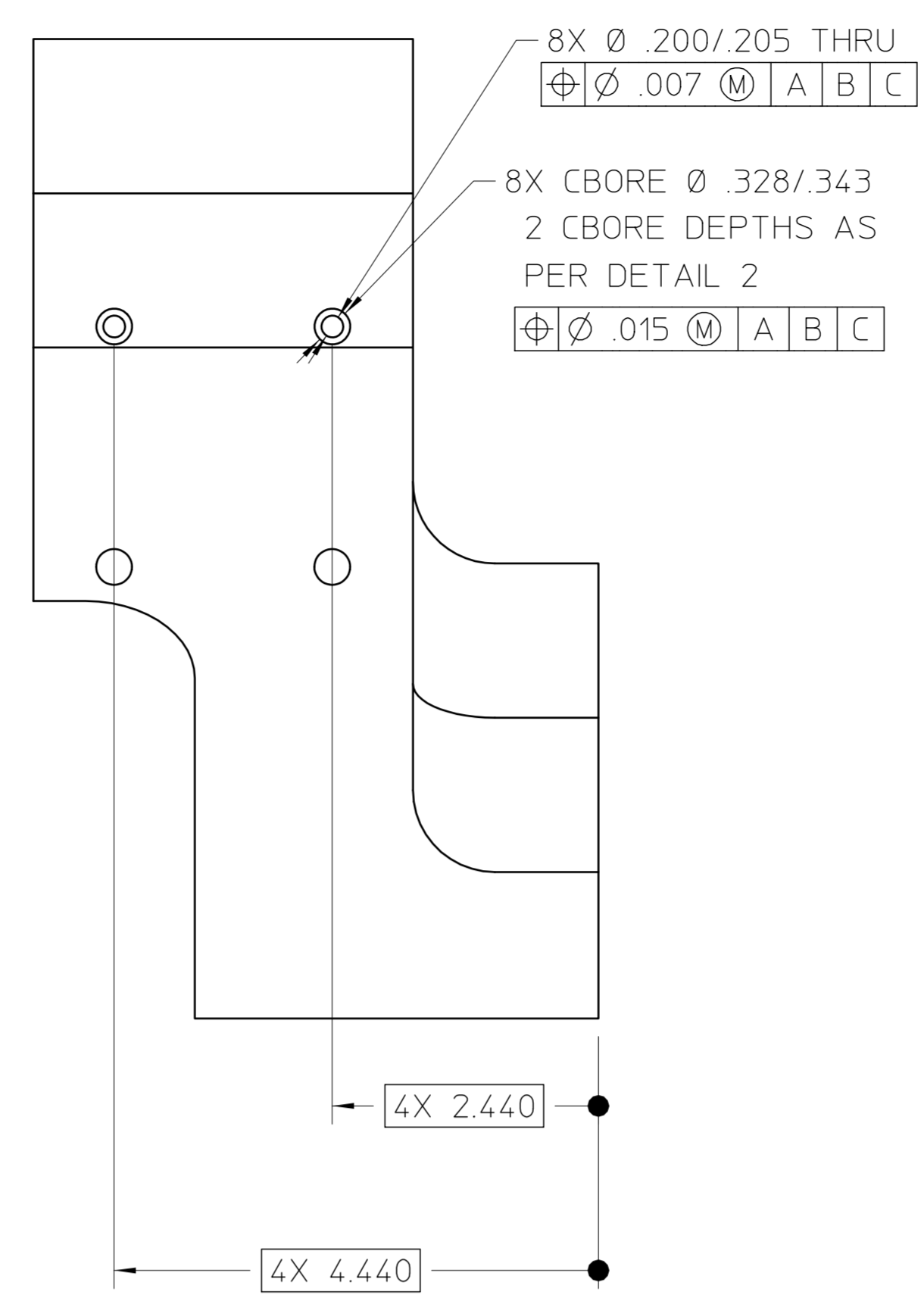
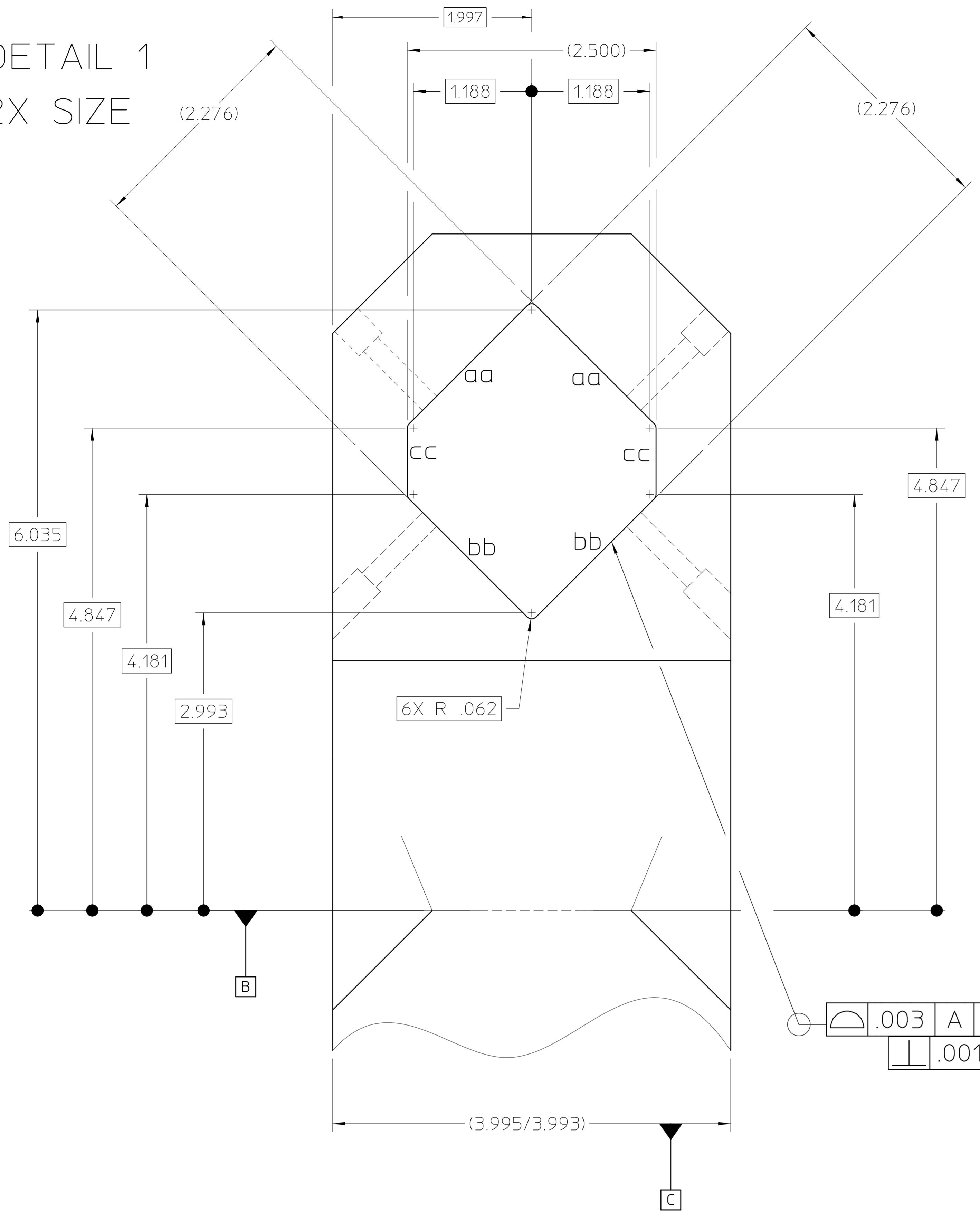
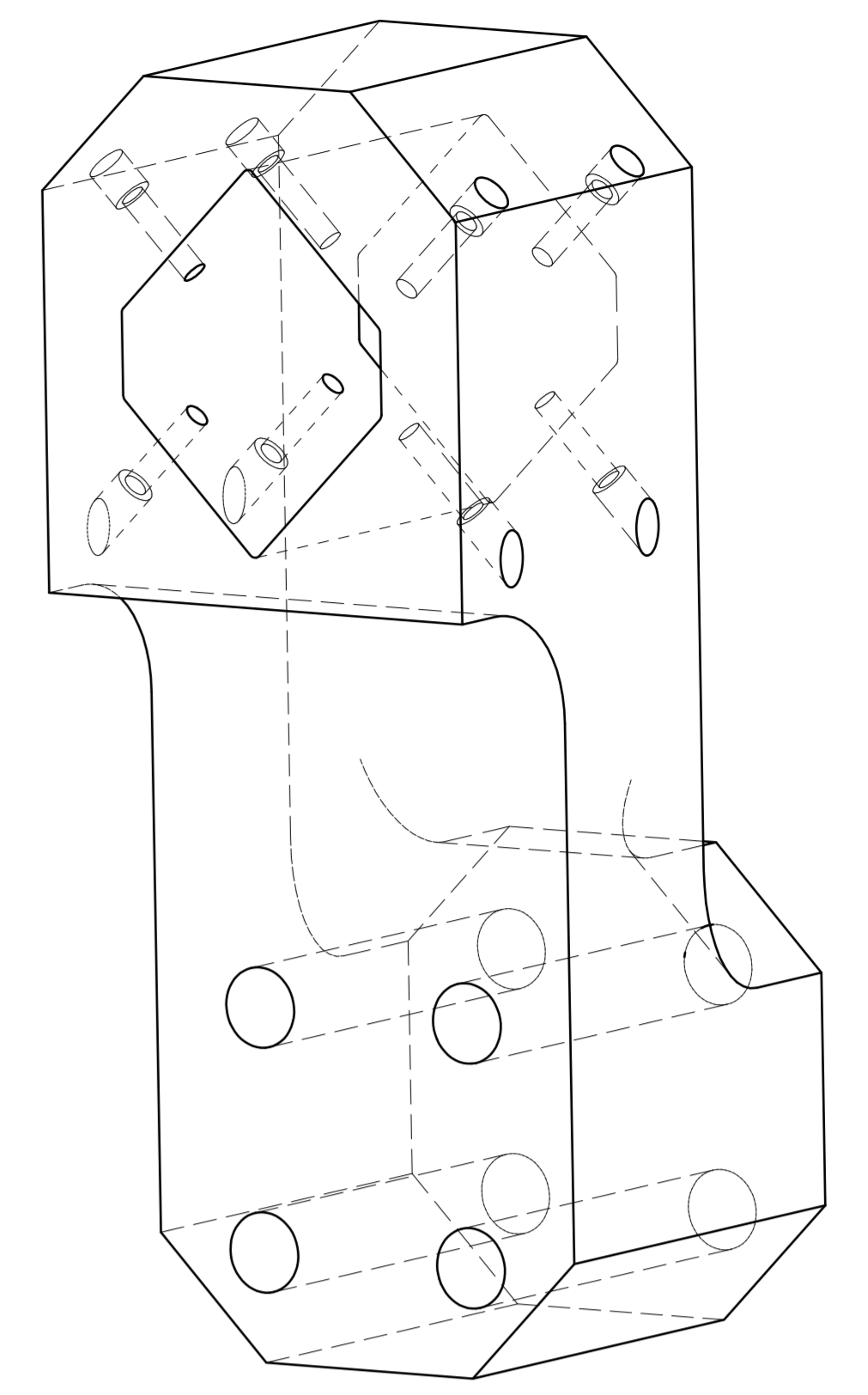


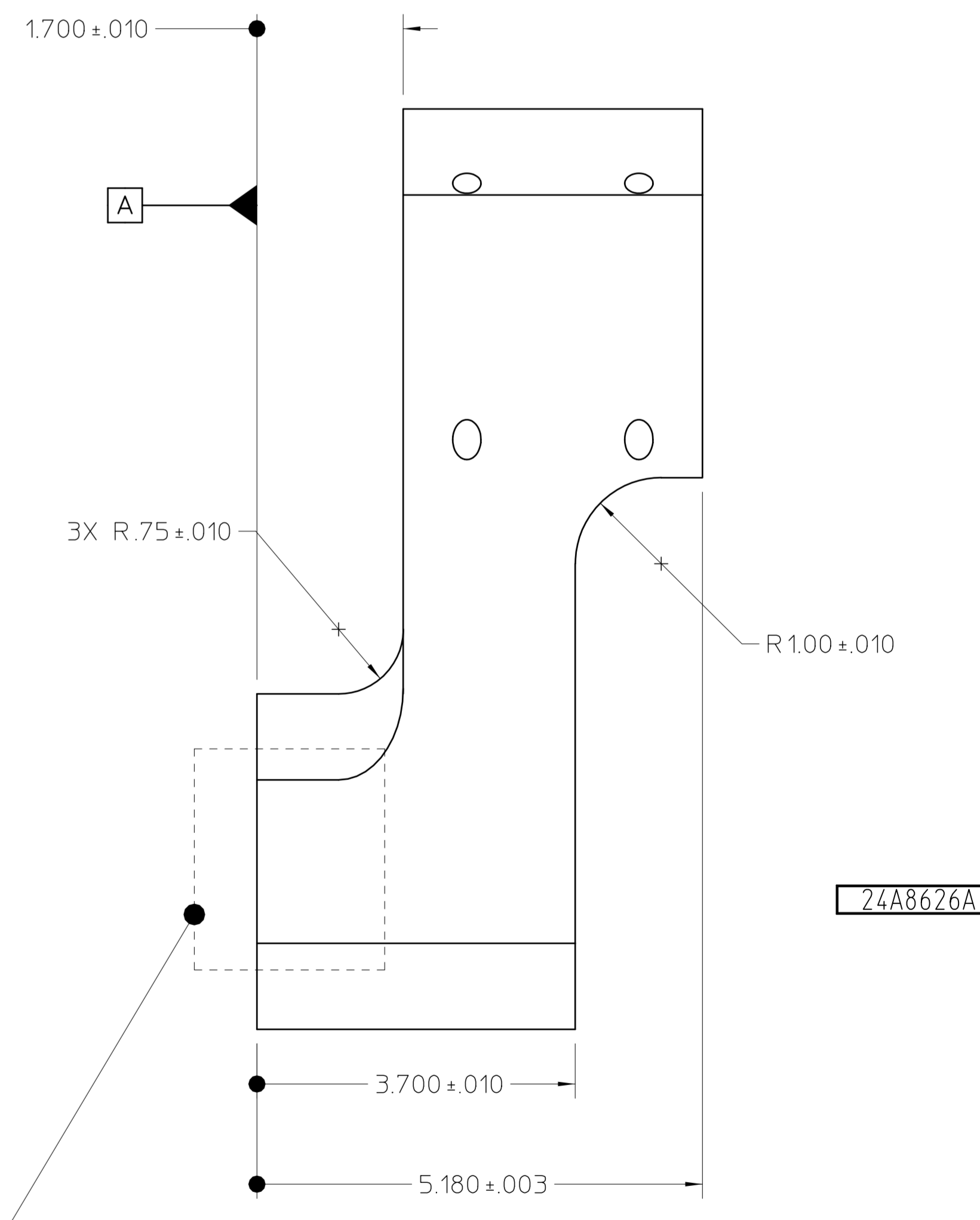
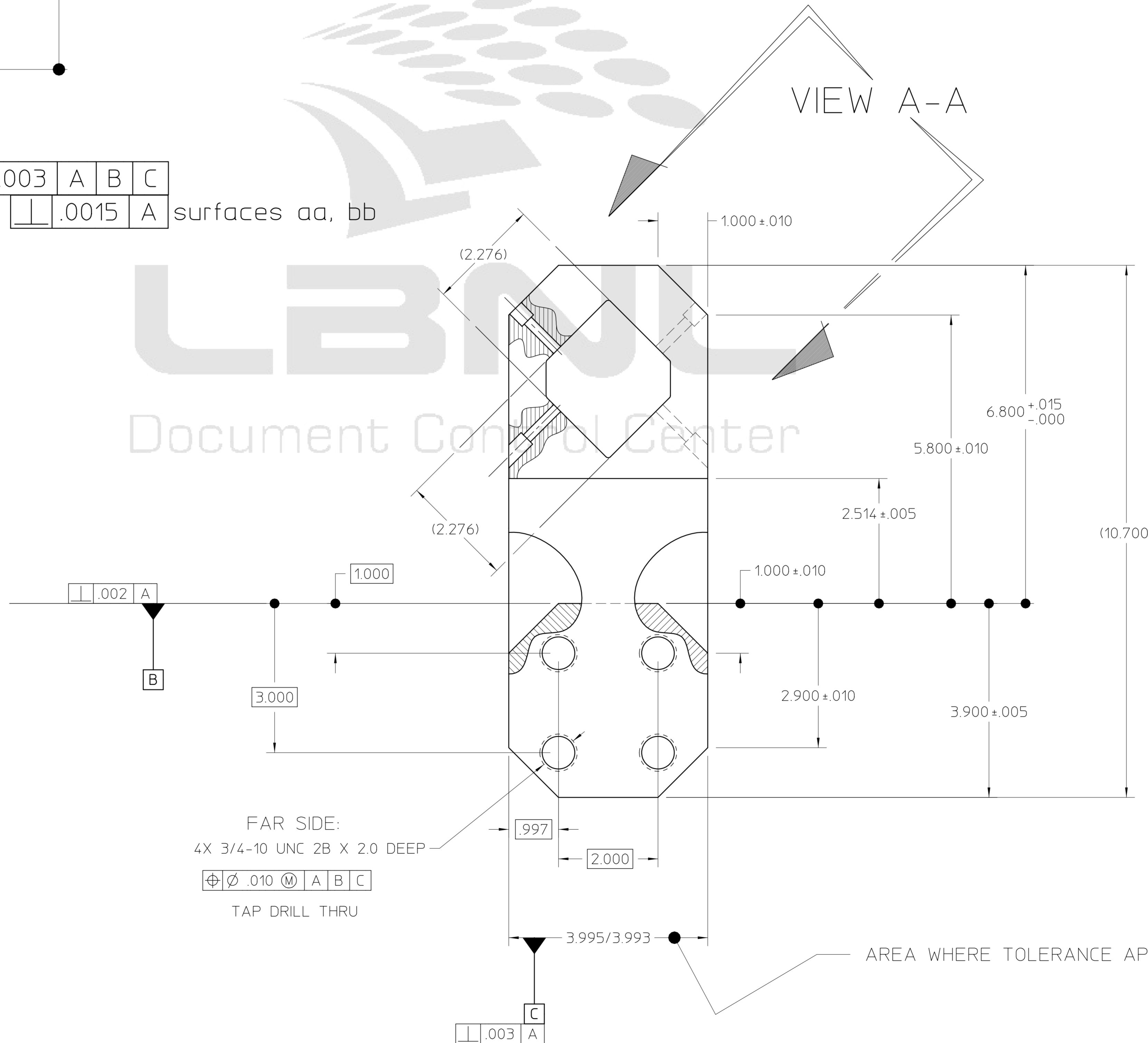
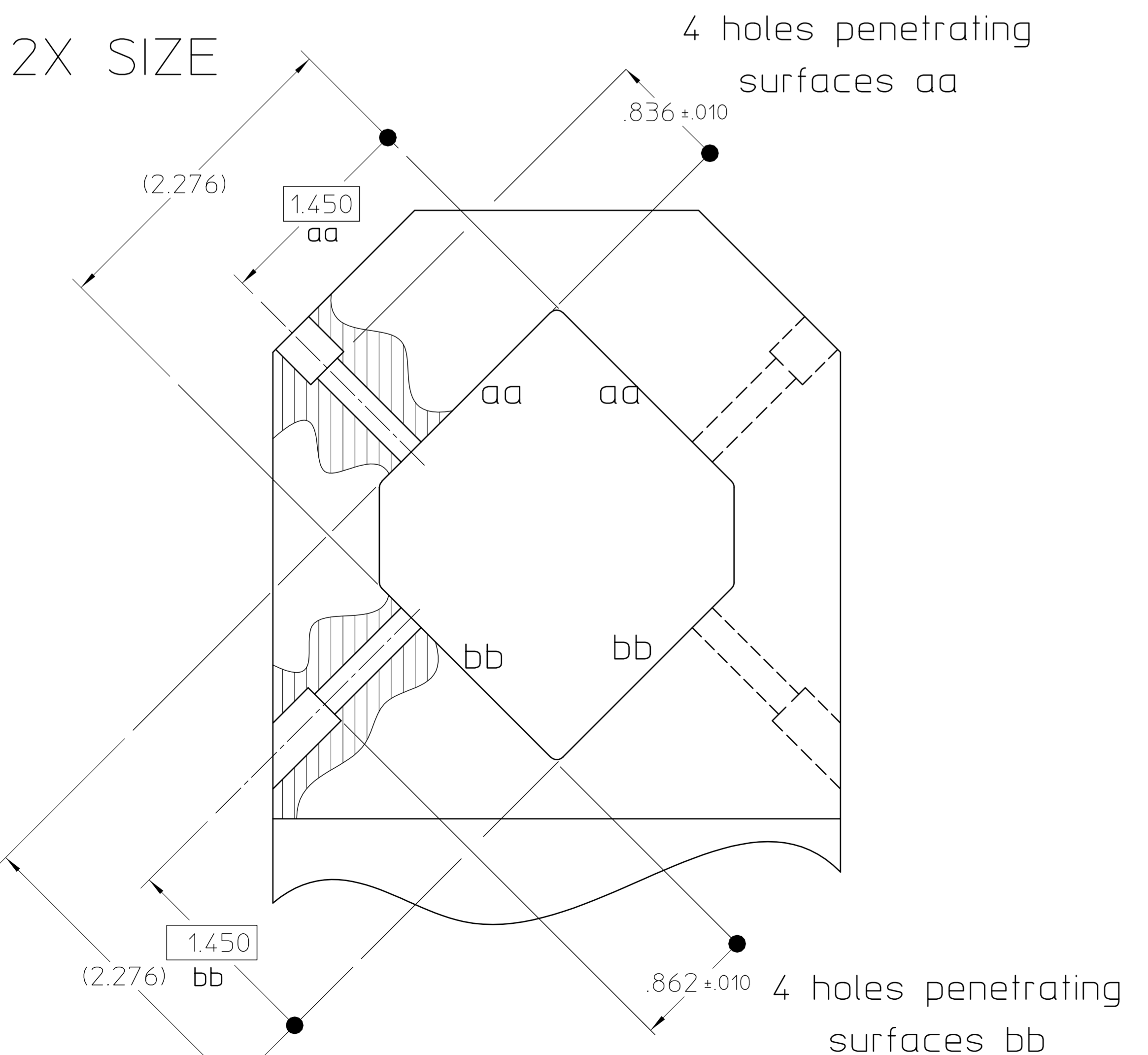
DETAIL 1
2X SIZE



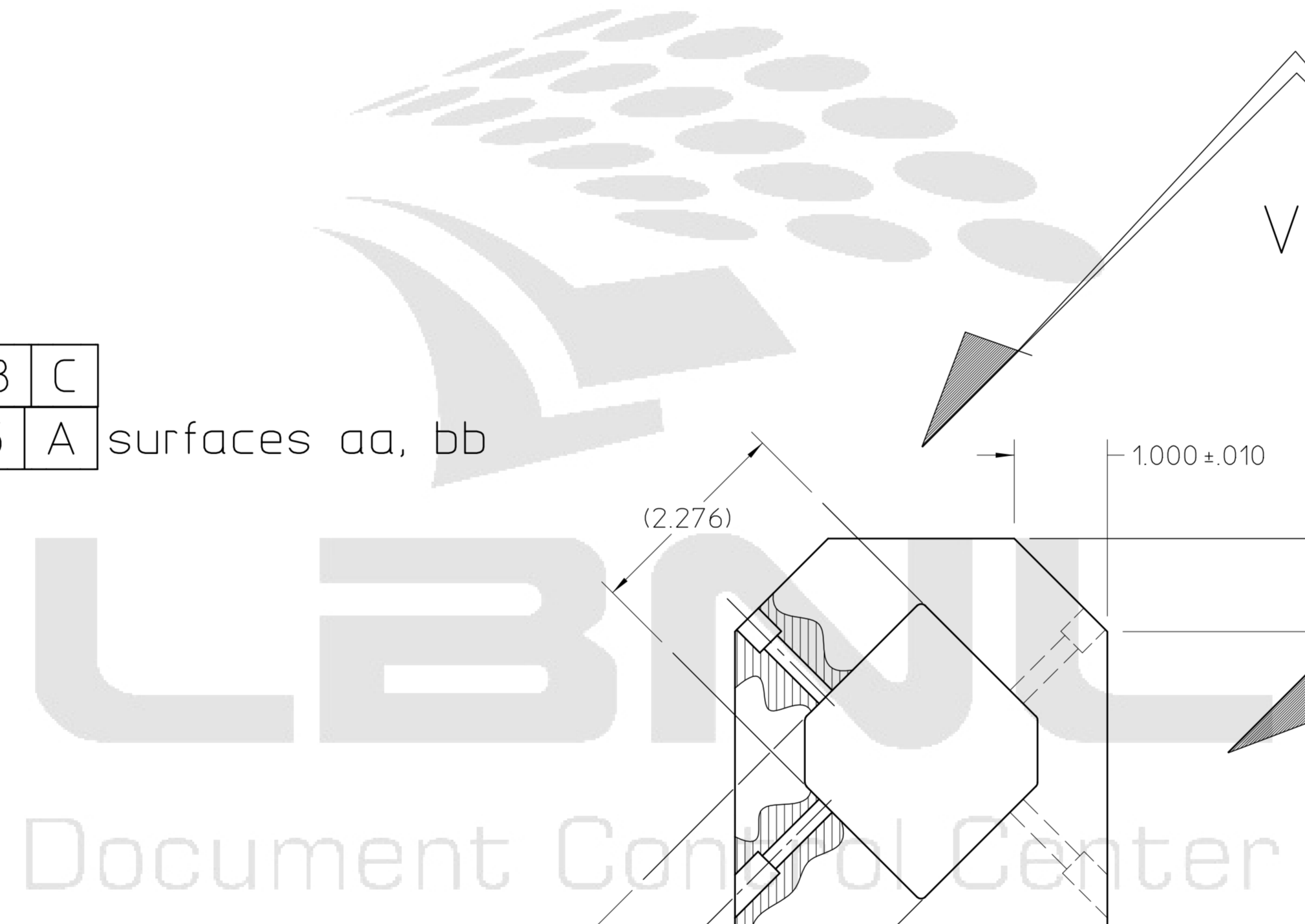
VIEW A-A



DETAIL 2
2X SIZE



24A8626A



$\sqrt{\text{R}} .003 \text{ A | B | C}$
 $\sqrt{\text{L}} .0015 \text{ A}$ surfaces aa, bb

UNLESS OTHERWISE SPECIFIED		SHOP ORDERS	
CO	X ± .1	FRAC.	± 1/64
ANG	XX ± 10	DATE	10-1-98
CS	XXX ± .005	FINISH	125, 7
TH	CLASS 2	TREATMENT	DEGREASE
CH	30°	TAG	
RE	1.5 PITCH	DATE	10-1-98
BR	0.016 MAX.	CHK	R. WELLS
RE	ANSI Y14.5 & B46.1	DATE	10-1-98

REV	DWG	CHK	ZONE	DATE	RELEASED FOR FABRICATION
A	GK			10-1-98	

ITEM	PART NUMBER	DESCRIPTION
425	TPC834-E-1 A	TEMPORARY ROLLIN SUPPORT ARM - FLOATING

ALLOY	STEEL, 4120, AS REQUIRED
SCALE	1/4
SIZE	24A8626