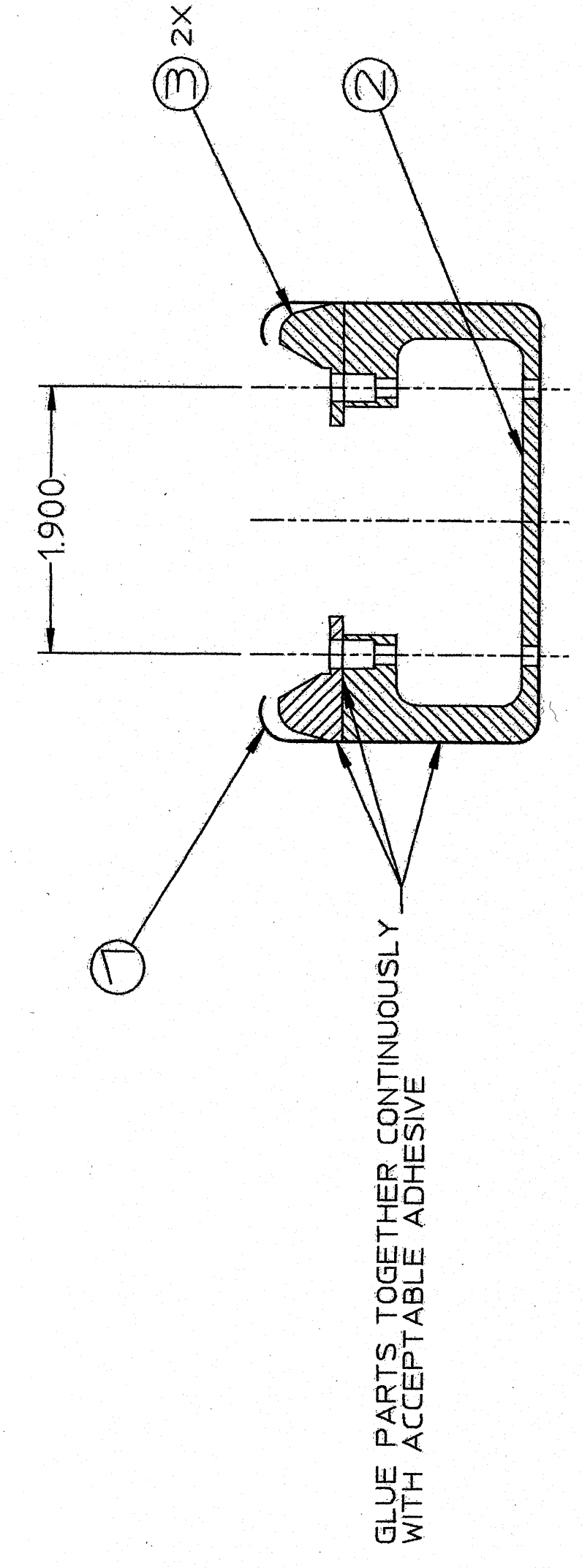
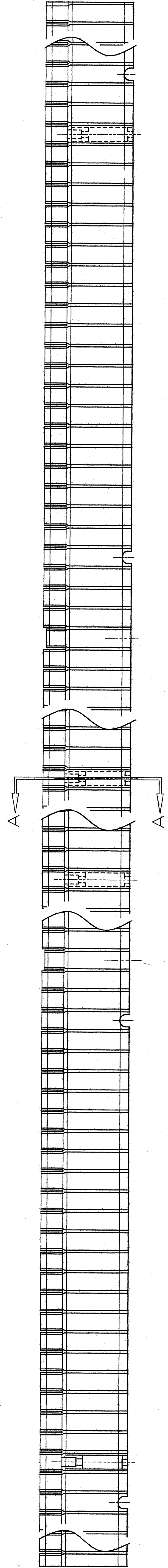


SCALE: 1/3



GLUE PARTS TOGETHER CONTINUOUSLY WITH ACCEPTABLE ADHESIVE

SECTION A-A  
SCALE: FULL

REV.	DESCRIPTION	DATE	BY	CHK'D	APP'D
1	RAFT COVER SKIN				
2	RAFT COVER RB				
3	RAFT COVER STRIPPER				

ITEM #	PART NUMBER	QTY	UNIT	REV.
1	Z4A8546	1	EA	1
2	Z4A8542	4	EA	1
3	Z4A8544	2	EA	1

REV.	DATE	BY	CHK'D	APP'D
1	05/28/94			
2	06/20/94			
3	07/31/94			

REV.	DATE	BY	CHK'D	APP'D
1	05/28/94			
2	06/20/94			
3	07/31/94			

REV.	DESCRIPTION	DATE	BY	CHK'D	APP'D
1	TPC547-E-1 A				
2	RAFT COVER				
3	RAFT COVER				
4	RAFT COVER				
5	RAFT COVER				
6	RAFT COVER				
7	RAFT COVER				
8	RAFT COVER				
9	RAFT COVER				
10	RAFT COVER				
11	RAFT COVER				
12	RAFT COVER				
13	RAFT COVER				
14	RAFT COVER				
15	RAFT COVER				
16	RAFT COVER				
17	RAFT COVER				
18	RAFT COVER				
19	RAFT COVER				
20	RAFT COVER				

REV.	DATE	BY	CHK'D	APP'D
1	05/28/94			
2	06/20/94			
3	07/31/94			

REV.	DATE	BY	CHK'D	APP'D
1	05/28/94			
2	06/20/94			
3	07/31/94			

REV.	DATE	BY	CHK'D	APP'D
1	05/28/94			
2	06/20/94			
3	07/31/94			

REV.	DATE	BY	CHK'D	APP'D
1	05/28/94			
2	06/20/94			
3	07/31/94			

REV.	DATE	BY	CHK'D	APP'D
1	05/28/94			
2	06/20/94			
3	07/31/94			

REV.	DATE	BY	CHK'D	APP'D
1	05/28/94			
2	06/20/94			
3	07/31/94			