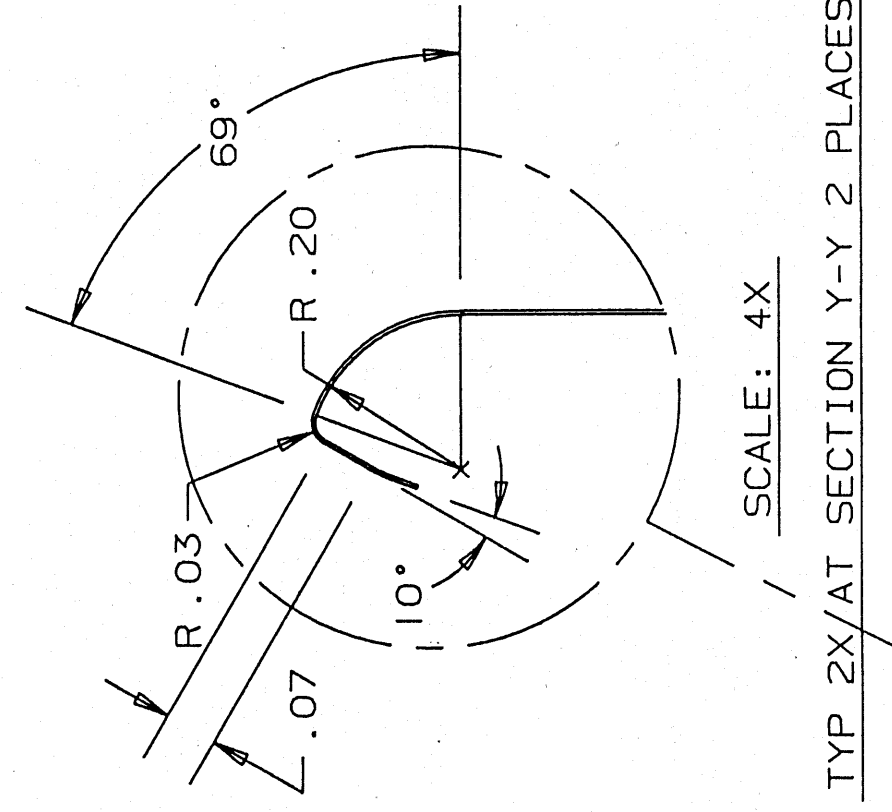
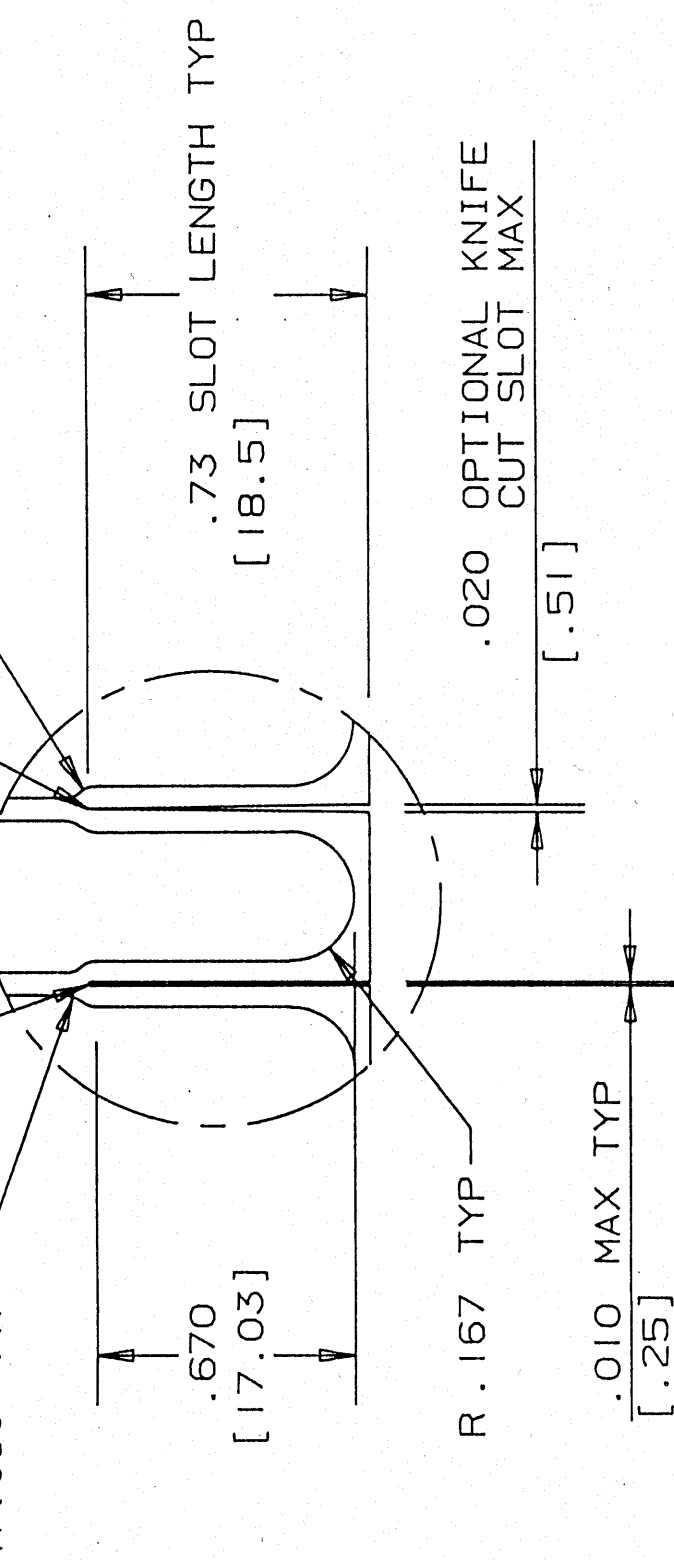
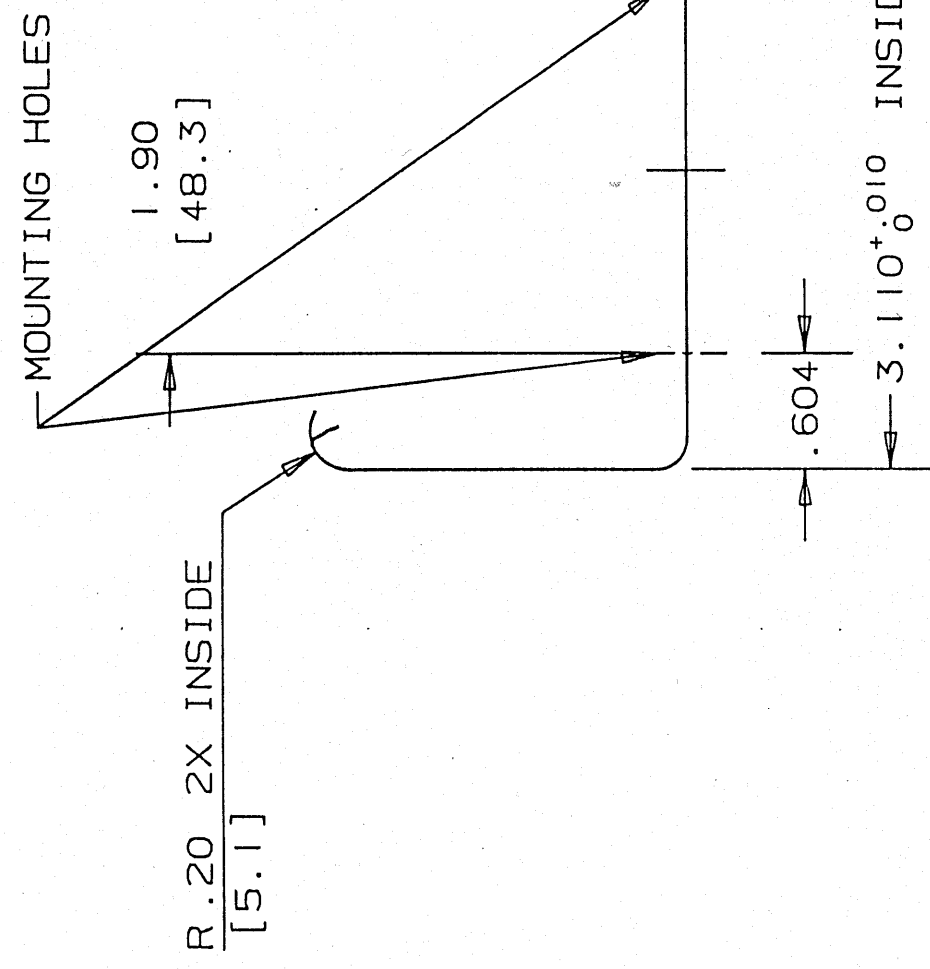


10 MM CONDUCTOR SIDE  
 SCALE: 1/3



TYP 2X/AT SECTION Y-Y 2 PLACES  
 SCALE: 4X



NOTE: SLOTS TO BE CENTERED +/- .005 NON-CUMULATIVE

PREFERRED & OPTIONAL SLOT DETAILS  
 SCALE: 2X

NOTE: THE 10MM STRIPES ARE ON EXTERIOR.

SKIN FORM  
 SCALE: FULL

24A8546A

ITEM NO.	PART NUMBER	REV.	QTY	DESCRIPTION	REV.
1	TPC542-E-1	A		LAWRENCE BERKELEY LABORATORY	
2				UNIVERSITY OF CALIFORNIA	
3				BERKELEY	
4				LASER SYSTEM	
5				RAFT COVER SKIN	
6				ASSEMBLY	
7				SCALE NOTED IN REFERENCE	
8				DATE	
9				BY	
10				CHK	
11				APP	
12				DESIGNER	
13				DATE	
14				REV	
15				DATE	
16				REV	
17				DATE	
18				REV	
19				DATE	
20				REV	

ITEM NO.	PART NUMBER	REV.	QTY	DESCRIPTION	REV.
1	TPC542-E-1	A		LAWRENCE BERKELEY LABORATORY	
2				UNIVERSITY OF CALIFORNIA	
3				BERKELEY	
4				LASER SYSTEM	
5				RAFT COVER SKIN	
6				ASSEMBLY	
7				SCALE NOTED IN REFERENCE	
8				DATE	
9				BY	
10				CHK	
11				APP	
12				DESIGNER	
13				DATE	
14				REV	
15				DATE	
16				REV	
17				DATE	
18				REV	
19				DATE	
20				REV	