

-RESTRAINED  
 -FREE STATE  
 SEE 24A7266 FOR  
 RESTRAINT AND  
 FREE STATE  
 DETAILS

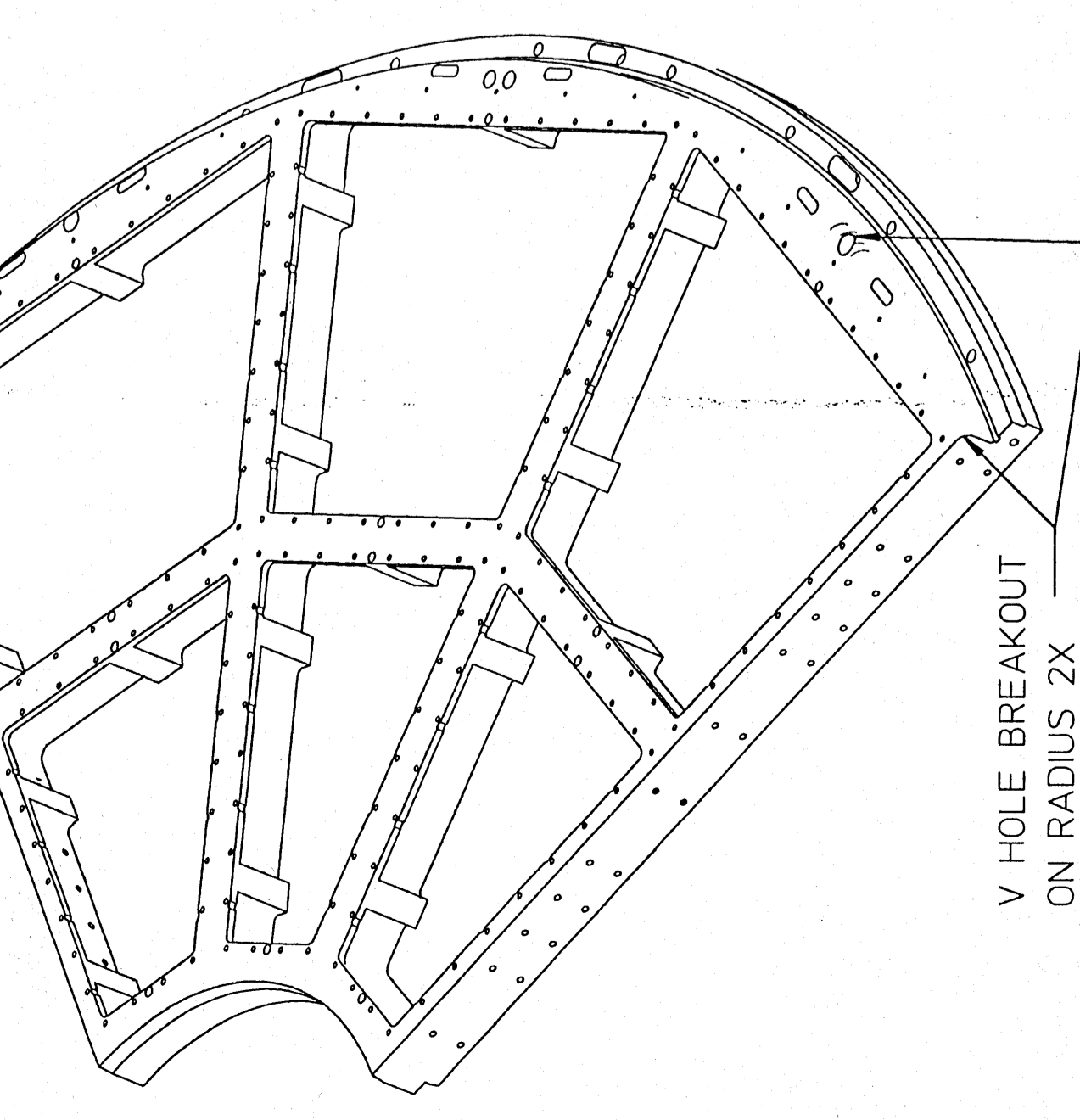
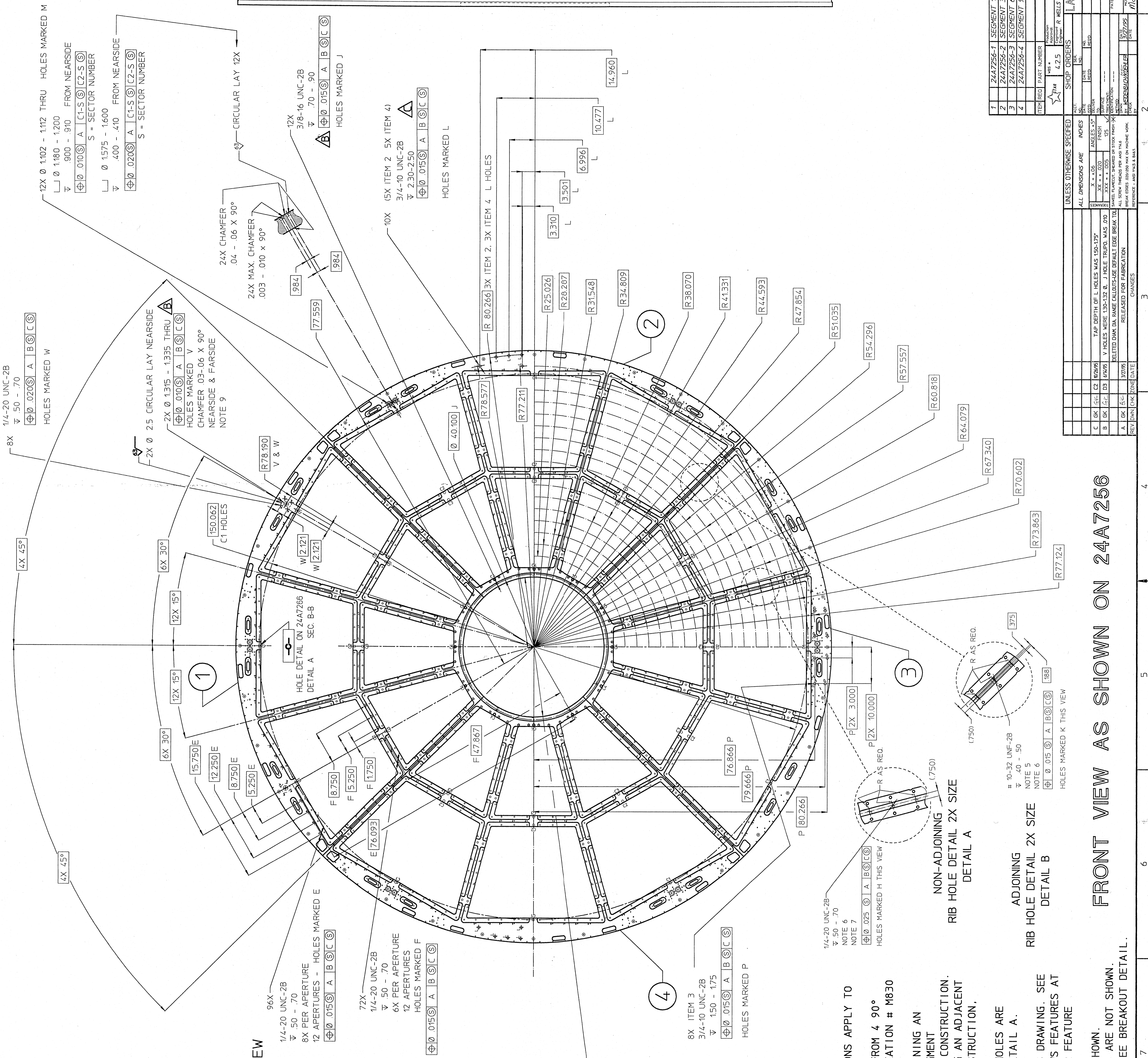
0.005  
 0.015  
 -A-

12X Ø 1.102 - 1.112 THRU HOLES MARKED M  
 Ø 1.180 - 1.200  
 900 - 910 FROM NEAR SIDE  
 Ø 0.010 (A) (B) (C) (S)  
 S = SECTOR NUMBER  
 Ø 1.575 - 1.600  
 400 - 410 FROM NEAR SIDE  
 Ø 0.020 (A) (B) (C) (S)  
 S = SECTOR NUMBER

1/4-20 UNC-2B  
 50 - 70  
 HOLES MARKED W  
 Ø 0.020 (A) (B) (C) (S)

24X CHAMFER  
 04 - 06 X 90°  
 24X MAX. CHAMFER  
 003 - 010 X 90°  
 12X 3/8-16 UNC-2B  
 70 - 90  
 HOLES MARKED J  
 Ø 0.015 (A) (B) (C) (S)

10X (5X ITEM 2 5X ITEM 4)  
 3/4-10 UNC-2B  
 2.30-2.50  
 HOLES MARKED L  
 Ø 0.015 (A) (B) (C) (S)



V HOLE BREAKOUT DETAIL - REAR VIEW

96X  
 1/4-20 UNC-2B  
 50 - 70  
 8X PER APERTURE  
 12 APERTURES - HOLES MARKED E  
 Ø 0.015 (A) (B) (C) (S)

72X  
 1/4-20 UNC-2B  
 50 - 70  
 6X PER APERTURE  
 12 APERTURES  
 HOLES MARKED F  
 Ø 0.015 (A) (B) (C) (S)

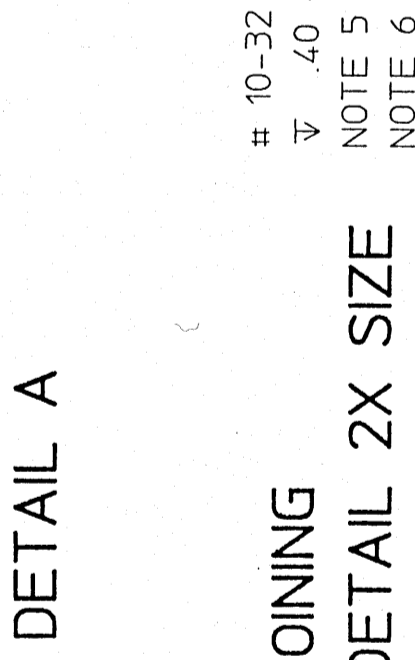
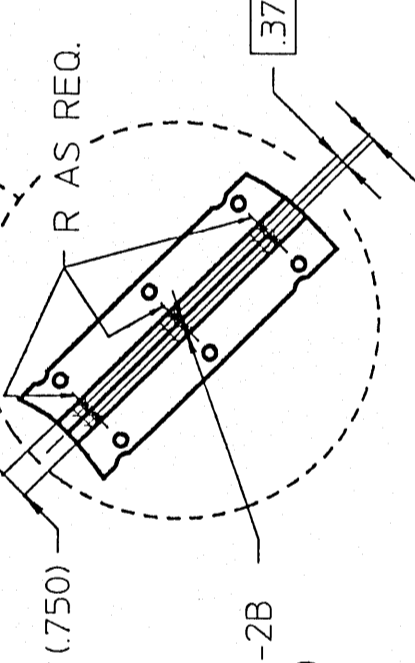
8X ITEM 3  
 3/4-10 UNC-2B  
 150 - 175  
 HOLES MARKED P  
 Ø 0.015 (A) (B) (C) (S)

1/4-20 UNC-2B  
 50 - 70  
 NOTE 6  
 NOTE 7  
 Ø 0.025 (A) (B) (C) (S)  
 HOLES MARKED H THIS VIEW

Ø 0.025 (A) (B) (C) (S)  
 HOLES MARKED H THIS VIEW

NON-ADJOINING  
 RIB HOLE DETAIL 2X SIZE  
 DETAIL A

ADJOINING  
 RIB HOLE DETAIL 2X SIZE  
 DETAIL B



- NOTE:
- INTERPRET THIS DRAWING PER ANSI Y14.5M, 1982.
  - ALL DIMENSIONS ARE INCHES. ALL DIMENSIONS APPLY TO FINAL ASSEMBLY AS SHOWN ON 24A7256.
  - ASSEMBLY AS DRAWN IS SHOWN FABRICATED FROM 4 90° SECTIONS. REFER TO 24A7256 AND SPECIFICATION # M830 FOR OTHER FABRICATION OPTIONS.
  - 1/4-20 HOLES ARE IN EVERY RIB NOT ADJOINING AN ADJACENT SEGMENT. 136 PLACES FOR 4 SEGMENT CONSTRUCTION, 170 PLACES FOR 2 SEGMENT CONSTRUCTION.
  - #10-32 HOLES ARE IN EVERY RIB ADJOINING AN ADJACENT SEGMENT. 136 PLACES FOR 4 SEGMENT CONSTRUCTION, 68 PLACES FOR 2 SEGMENT CONSTRUCTION.
  - FOR SINGLE UNIT CONSTRUCTION, ALL RIB HOLES ARE 1/4-20, 204 PLACES AND SPACED AS IN DETAIL A. NO #10 WOULD BE USED WITH THIS OPTION.
  - NOT ALL FEATURES ARE IDENTIFIED ON THIS DRAWING. SEE NOMENCLATURE DRAWING 24A7306 WHICH SHOWS FEATURES AT NOMINAL SIZE AND WITHOUT DIMENSIONS FOR FEATURE IDENTIFICATION AND PATTERN LOCATION.
  - FOR CLARITY, NOT ALL HIDDEN LINES ARE SHOWN. SEGMENT ADJOINING RIB ATTACHMENT BOLTS ARE NOT SHOWN.
  - HOLE WILL BREAKOUT ON RADIUS FAR SIDE. SEE BREAKOUT DETAIL.

ITEM NO.	PART NUMBER	DESCRIPTION	REV.	DATE	BY	CHK.
1	24A7256-1	SEGMENT 12 O'CLOCK, ALUMINUM 6061-T651 AS REQUIRED				
2	24A7256-2	SEGMENT 3 O'CLOCK, ALUMINUM 6061-T651 AS REQUIRED				
3	24A7256-3	SEGMENT 6 O'CLOCK, ALUMINUM 6061-T651 AS REQUIRED				
4	24A7256-4	SEGMENT 9 O'CLOCK, ALUMINUM 6061-T651 AS REQUIRED				

REV.	DATE	BY	CHK.	DESCRIPTION
1	02/25/95	JLH	RLC	ISSUE FOR FABRICATION
2	02/25/95	JLH	RLC	ISSUE FOR FABRICATION

REV.	DATE	BY	CHK.	DESCRIPTION
1	02/25/95	JLH	RLC	ISSUE FOR FABRICATION
2	02/25/95	JLH	RLC	ISSUE FOR FABRICATION

FRONT VIEW AS SHOWN ON 24A7256