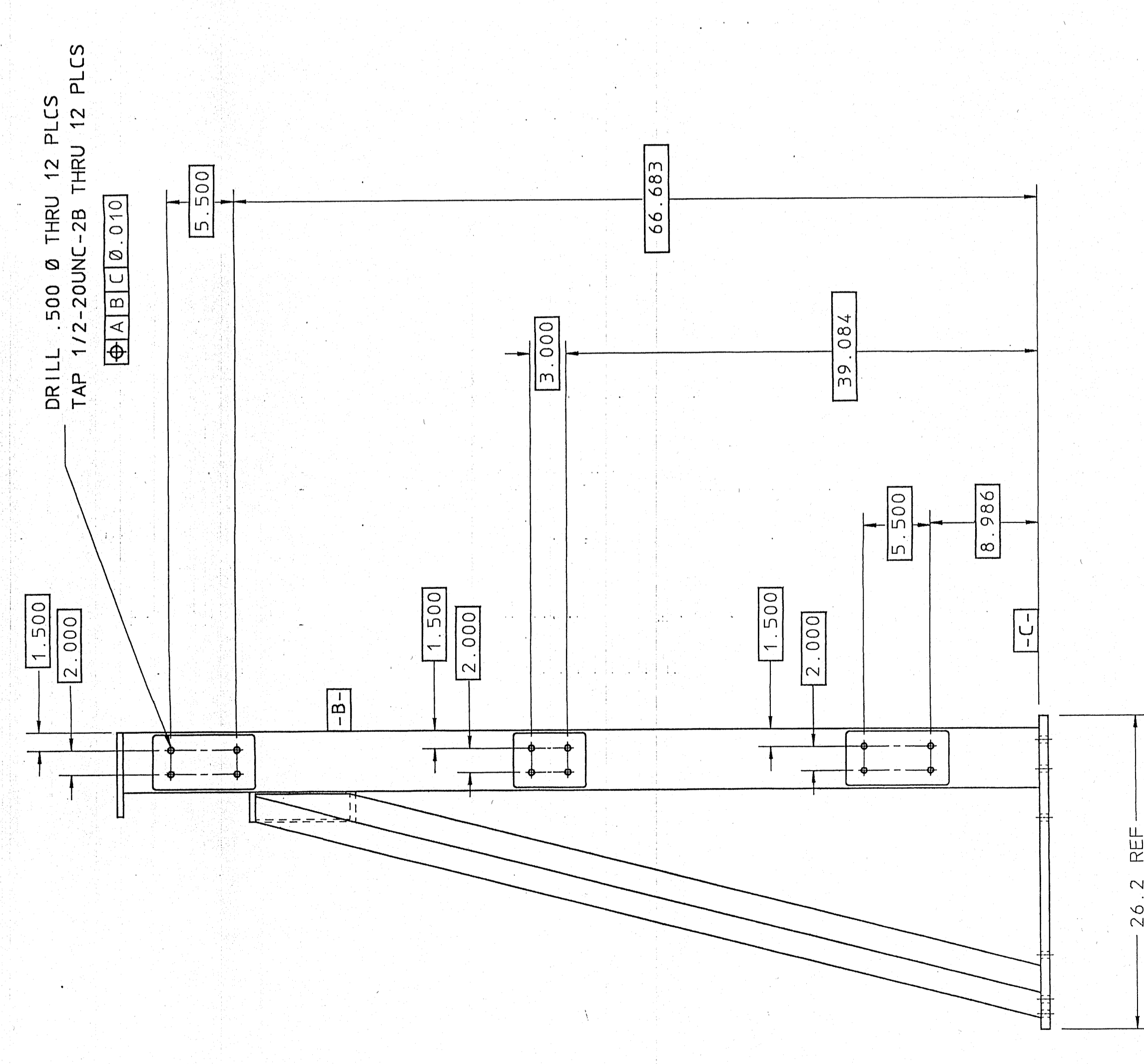
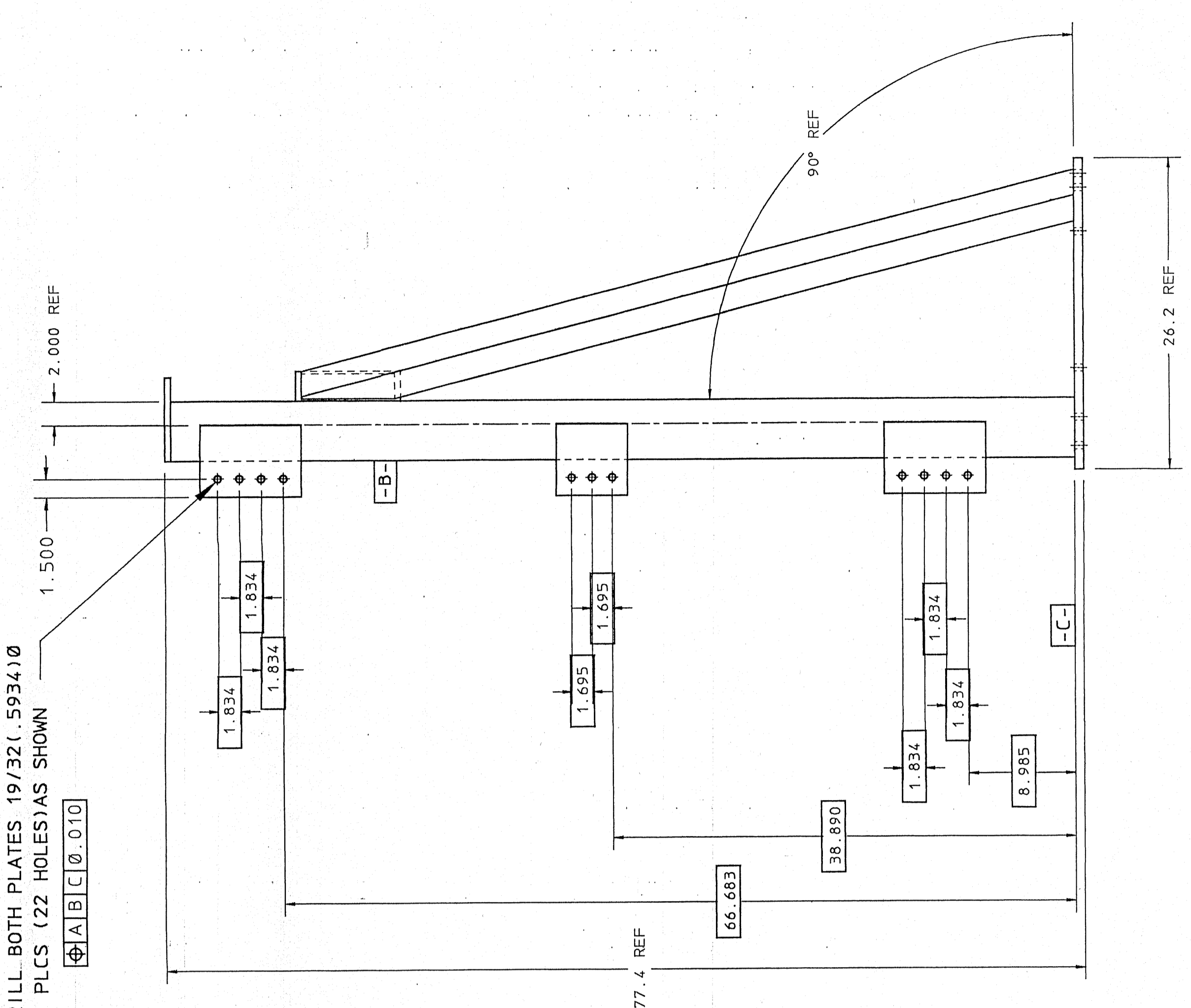


LINE DRILL BOTH PLATES 19/32 (.5934) Ø
 THRU 11 PLCS (22 HOLES) AS SHOWN
 ⌀A|B|C|Ø.010



DRILL .500 Ø THRU 12 PLCS
 TAP 1/2-20UNC-2B THRU 12 PLCS
 ⌀A|B|C|Ø.010

NOTES:

1. INSTALL BOLT ON PLATES, ITEMS 2 & 3 WITH ITEM 4. 1/2-20 X 1 LG GRADE 5 BOLTS LUBRICATED WITH LIGHT OIL.
2. TORQUE TO 65 FT/LBS IN FIGURE 8 PATTERN.
3. LINE DRILL 1/2 INCH CLEARANCE HOLES AT THE SAME TIME AS WELDED PLATES ON OPPOSITE SIDE OF SQUARE COLUMN.
4. THERE ARE TWO STANDS WHICH ARE MIRROR IMAGES OF EACH OTHER IN TERMS OF THE MOUNTING PLATES.

| ITEM NO. | DESCRIPTION | QTY | UNIT | REVISION |
|----------|------------------------------------|-----|------|----------|
| 12 | HEX HD BOLT GRADE 5 1/2-13 X 1 LG. | | | |
| 1 | SUPPORT PLATE BOLTED-SHORT | | | |
| 2 | SUPPORT PLATE BOLTED-LONG | | | |
| 3 | SUPPORT STAND WELDED | | | |

| REVISION | DATE | BY | DESCRIPTION |
|----------|----------|-------|-------------|
| 1 | 10/22/74 | WHELL | WELDED |
| 2 | 10/22/74 | WHELL | WELDED |
| 3 | 10/22/74 | WHELL | WELDED |
| 4 | 10/22/74 | WHELL | WELDED |
| 5 | 10/22/74 | WHELL | WELDED |
| 6 | 10/22/74 | WHELL | WELDED |
| 7 | 10/22/74 | WHELL | WELDED |
| 8 | 10/22/74 | WHELL | WELDED |
| 9 | 10/22/74 | WHELL | WELDED |
| 10 | 10/22/74 | WHELL | WELDED |
| 11 | 10/22/74 | WHELL | WELDED |
| 12 | 10/22/74 | WHELL | WELDED |
| 13 | 10/22/74 | WHELL | WELDED |
| 14 | 10/22/74 | WHELL | WELDED |
| 15 | 10/22/74 | WHELL | WELDED |
| 16 | 10/22/74 | WHELL | WELDED |
| 17 | 10/22/74 | WHELL | WELDED |
| 18 | 10/22/74 | WHELL | WELDED |
| 19 | 10/22/74 | WHELL | WELDED |
| 20 | 10/22/74 | WHELL | WELDED |
| 21 | 10/22/74 | WHELL | WELDED |
| 22 | 10/22/74 | WHELL | WELDED |
| 23 | 10/22/74 | WHELL | WELDED |
| 24 | 10/22/74 | WHELL | WELDED |
| 25 | 10/22/74 | WHELL | WELDED |
| 26 | 10/22/74 | WHELL | WELDED |
| 27 | 10/22/74 | WHELL | WELDED |
| 28 | 10/22/74 | WHELL | WELDED |
| 29 | 10/22/74 | WHELL | WELDED |
| 30 | 10/22/74 | WHELL | WELDED |
| 31 | 10/22/74 | WHELL | WELDED |
| 32 | 10/22/74 | WHELL | WELDED |
| 33 | 10/22/74 | WHELL | WELDED |
| 34 | 10/22/74 | WHELL | WELDED |
| 35 | 10/22/74 | WHELL | WELDED |
| 36 | 10/22/74 | WHELL | WELDED |
| 37 | 10/22/74 | WHELL | WELDED |
| 38 | 10/22/74 | WHELL | WELDED |
| 39 | 10/22/74 | WHELL | WELDED |
| 40 | 10/22/74 | WHELL | WELDED |
| 41 | 10/22/74 | WHELL | WELDED |
| 42 | 10/22/74 | WHELL | WELDED |
| 43 | 10/22/74 | WHELL | WELDED |
| 44 | 10/22/74 | WHELL | WELDED |
| 45 | 10/22/74 | WHELL | WELDED |
| 46 | 10/22/74 | WHELL | WELDED |
| 47 | 10/22/74 | WHELL | WELDED |
| 48 | 10/22/74 | WHELL | WELDED |
| 49 | 10/22/74 | WHELL | WELDED |
| 50 | 10/22/74 | WHELL | WELDED |

| UNLESS OTHERWISE SPECIFIED | REVISION | DATE | BY | DESCRIPTION |
|--|----------|----------|-------|-------------|
| FINISH | 1 | 10/22/74 | WHELL | WELDED |
| WELD | 2 | 10/22/74 | WHELL | WELDED |
| DRILL | 3 | 10/22/74 | WHELL | WELDED |
| TAP | 4 | 10/22/74 | WHELL | WELDED |
| GRIND | 5 | 10/22/74 | WHELL | WELDED |
| DEGREASE | 6 | 10/22/74 | WHELL | WELDED |
| REMOVE BURRS | 7 | 10/22/74 | WHELL | WELDED |
| REMOVE SHARP EDGES | 8 | 10/22/74 | WHELL | WELDED |
| REMOVE EXCESS WELD | 9 | 10/22/74 | WHELL | WELDED |
| REMOVE EXCESS DRILL | 10 | 10/22/74 | WHELL | WELDED |
| REMOVE EXCESS TAP | 11 | 10/22/74 | WHELL | WELDED |
| REMOVE EXCESS GRIND | 12 | 10/22/74 | WHELL | WELDED |
| REMOVE EXCESS DEGREASE | 13 | 10/22/74 | WHELL | WELDED |
| REMOVE EXCESS REMOVE BURRS | 14 | 10/22/74 | WHELL | WELDED |
| REMOVE EXCESS REMOVE SHARP EDGES | 15 | 10/22/74 | WHELL | WELDED |
| REMOVE EXCESS REMOVE EXCESS WELD | 16 | 10/22/74 | WHELL | WELDED |
| REMOVE EXCESS REMOVE EXCESS DRILL | 17 | 10/22/74 | WHELL | WELDED |
| REMOVE EXCESS REMOVE EXCESS TAP | 18 | 10/22/74 | WHELL | WELDED |
| REMOVE EXCESS REMOVE EXCESS GRIND | 19 | 10/22/74 | WHELL | WELDED |
| REMOVE EXCESS REMOVE EXCESS DEGREASE | 20 | 10/22/74 | WHELL | WELDED |
| REMOVE EXCESS REMOVE EXCESS REMOVE BURRS | 21 | 10/22/74 | WHELL | WELDED |
| REMOVE EXCESS REMOVE EXCESS REMOVE SHARP EDGES | 22 | 10/22/74 | WHELL | WELDED |
| REMOVE EXCESS REMOVE EXCESS REMOVE EXCESS WELD | 23 | 10/22/74 | WHELL | WELDED |
| REMOVE EXCESS REMOVE EXCESS REMOVE EXCESS DRILL | 24 | 10/22/74 | WHELL | WELDED |
| REMOVE EXCESS REMOVE EXCESS REMOVE EXCESS TAP | 25 | 10/22/74 | WHELL | WELDED |
| REMOVE EXCESS REMOVE EXCESS REMOVE EXCESS GRIND | 26 | 10/22/74 | WHELL | WELDED |
| REMOVE EXCESS REMOVE EXCESS REMOVE EXCESS DEGREASE | 27 | 10/22/74 | WHELL | WELDED |
| REMOVE EXCESS REMOVE EXCESS REMOVE EXCESS REMOVE BURRS | 28 | 10/22/74 | WHELL | WELDED |
| REMOVE EXCESS REMOVE EXCESS REMOVE EXCESS REMOVE SHARP EDGES | 29 | 10/22/74 | WHELL | WELDED |
| REMOVE EXCESS REMOVE EXCESS REMOVE EXCESS REMOVE EXCESS WELD | 30 | 10/22/74 | WHELL | WELDED |
| REMOVE EXCESS REMOVE EXCESS REMOVE EXCESS REMOVE EXCESS DRILL | 31 | 10/22/74 | WHELL | WELDED |
| REMOVE EXCESS REMOVE EXCESS REMOVE EXCESS REMOVE EXCESS TAP | 32 | 10/22/74 | WHELL | WELDED |
| REMOVE EXCESS REMOVE EXCESS REMOVE EXCESS REMOVE EXCESS GRIND | 33 | 10/22/74 | WHELL | WELDED |
| REMOVE EXCESS REMOVE EXCESS REMOVE EXCESS REMOVE EXCESS DEGREASE | 34 | 10/22/74 | WHELL | WELDED |
| REMOVE EXCESS REMOVE EXCESS REMOVE EXCESS REMOVE EXCESS REMOVE BURRS | 35 | 10/22/74 | WHELL | WELDED |
| REMOVE EXCESS REMOVE EXCESS REMOVE EXCESS REMOVE EXCESS REMOVE SHARP EDGES | 36 | 10/22/74 | WHELL | WELDED |
| REMOVE EXCESS REMOVE EXCESS REMOVE EXCESS REMOVE EXCESS REMOVE EXCESS WELD | 37 | 10/22/74 | WHELL | WELDED |
| REMOVE EXCESS REMOVE EXCESS REMOVE EXCESS REMOVE EXCESS REMOVE EXCESS DRILL | 38 | 10/22/74 | WHELL | WELDED |
| REMOVE EXCESS REMOVE EXCESS REMOVE EXCESS REMOVE EXCESS REMOVE EXCESS TAP | 39 | 10/22/74 | WHELL | WELDED |
| REMOVE EXCESS REMOVE EXCESS REMOVE EXCESS REMOVE EXCESS REMOVE EXCESS GRIND | 40 | 10/22/74 | WHELL | WELDED |
| REMOVE EXCESS REMOVE EXCESS REMOVE EXCESS REMOVE EXCESS REMOVE EXCESS DEGREASE | 41 | 10/22/74 | WHELL | WELDED |
| REMOVE EXCESS REMOVE EXCESS REMOVE EXCESS REMOVE EXCESS REMOVE EXCESS REMOVE BURRS | 42 | 10/22/74 | WHELL | WELDED |
| REMOVE EXCESS REMOVE EXCESS REMOVE EXCESS REMOVE EXCESS REMOVE EXCESS REMOVE SHARP EDGES | 43 | 10/22/74 | WHELL | WELDED |
| REMOVE EXCESS REMOVE EXCESS REMOVE EXCESS REMOVE EXCESS REMOVE EXCESS REMOVE EXCESS WELD | 44 | 10/22/74 | WHELL | WELDED |
| REMOVE EXCESS REMOVE EXCESS REMOVE EXCESS REMOVE EXCESS REMOVE EXCESS REMOVE EXCESS DRILL | 45 | 10/22/74 | WHELL | WELDED |
| REMOVE EXCESS REMOVE EXCESS REMOVE EXCESS REMOVE EXCESS REMOVE EXCESS REMOVE EXCESS TAP | 46 | 10/22/74 | WHELL | WELDED |
| REMOVE EXCESS REMOVE EXCESS REMOVE EXCESS REMOVE EXCESS REMOVE EXCESS REMOVE EXCESS GRIND | 47 | 10/22/74 | WHELL | WELDED |
| REMOVE EXCESS REMOVE EXCESS REMOVE EXCESS REMOVE EXCESS REMOVE EXCESS REMOVE EXCESS DEGREASE | 48 | 10/22/74 | WHELL | WELDED |
| REMOVE EXCESS REMOVE EXCESS REMOVE EXCESS REMOVE EXCESS REMOVE EXCESS REMOVE EXCESS REMOVE BURRS | 49 | 10/22/74 | WHELL | WELDED |
| REMOVE EXCESS REMOVE EXCESS REMOVE EXCESS REMOVE EXCESS REMOVE EXCESS REMOVE EXCESS REMOVE SHARP EDGES | 50 | 10/22/74 | WHELL | WELDED |