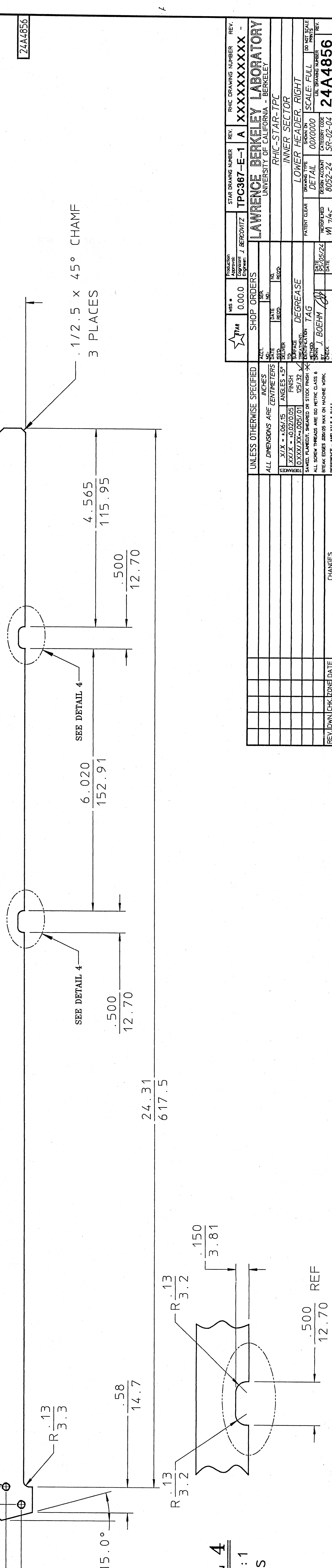
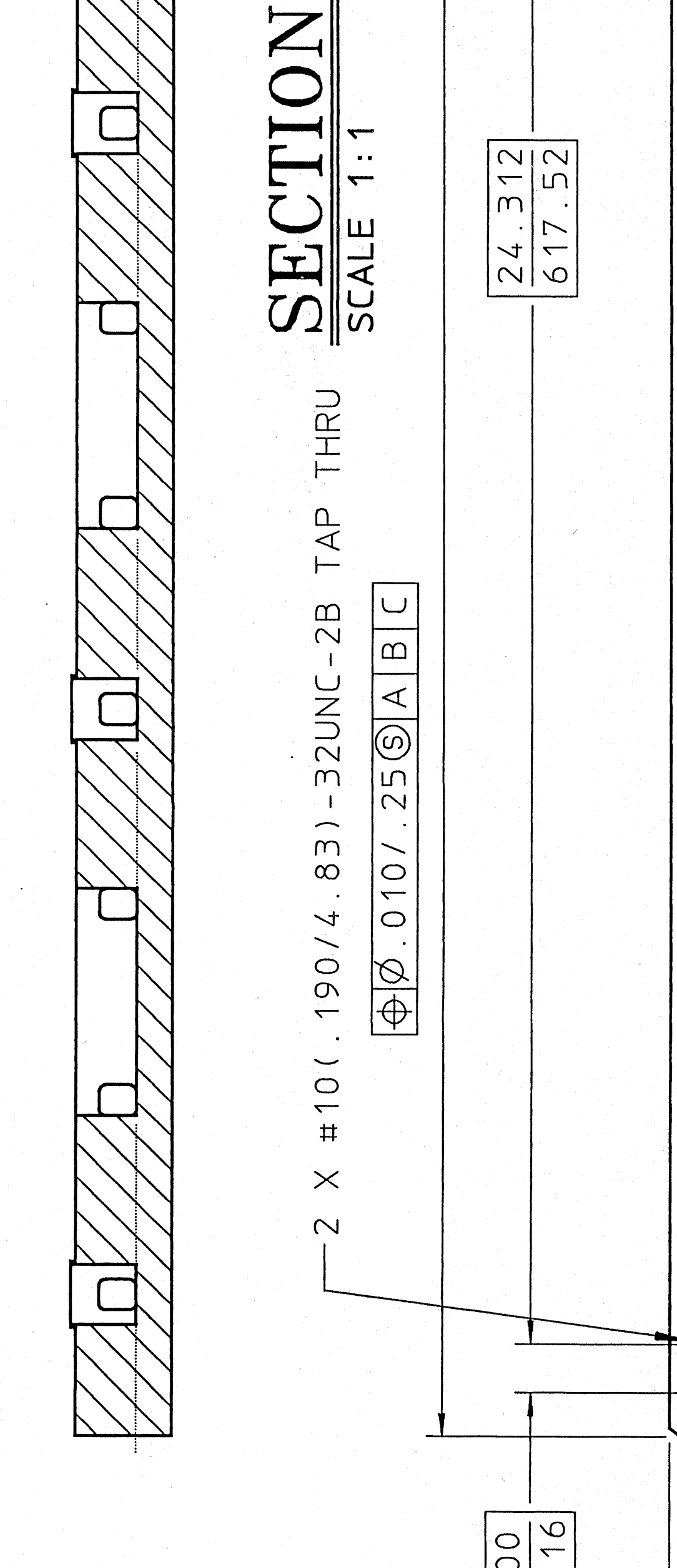
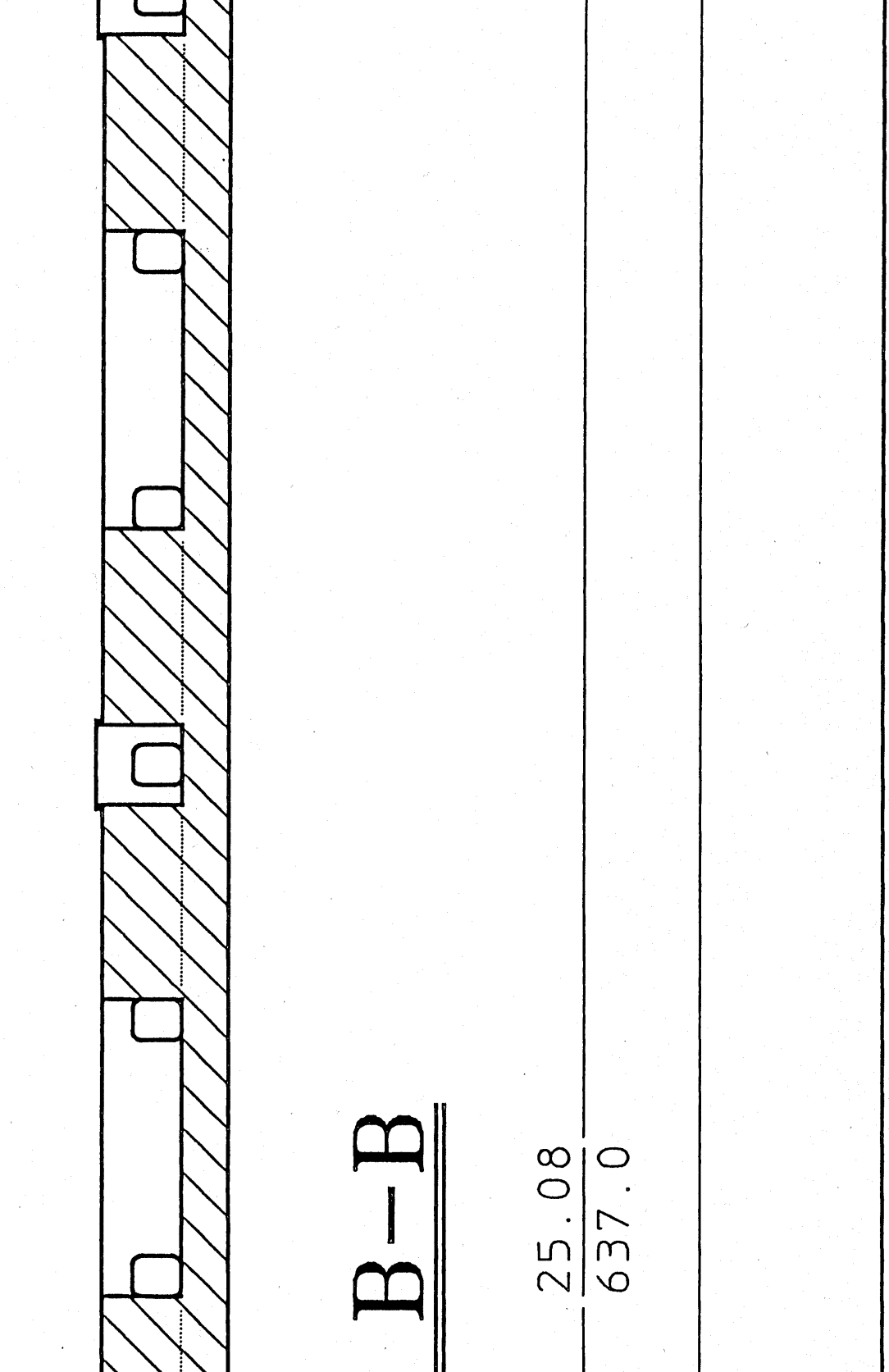
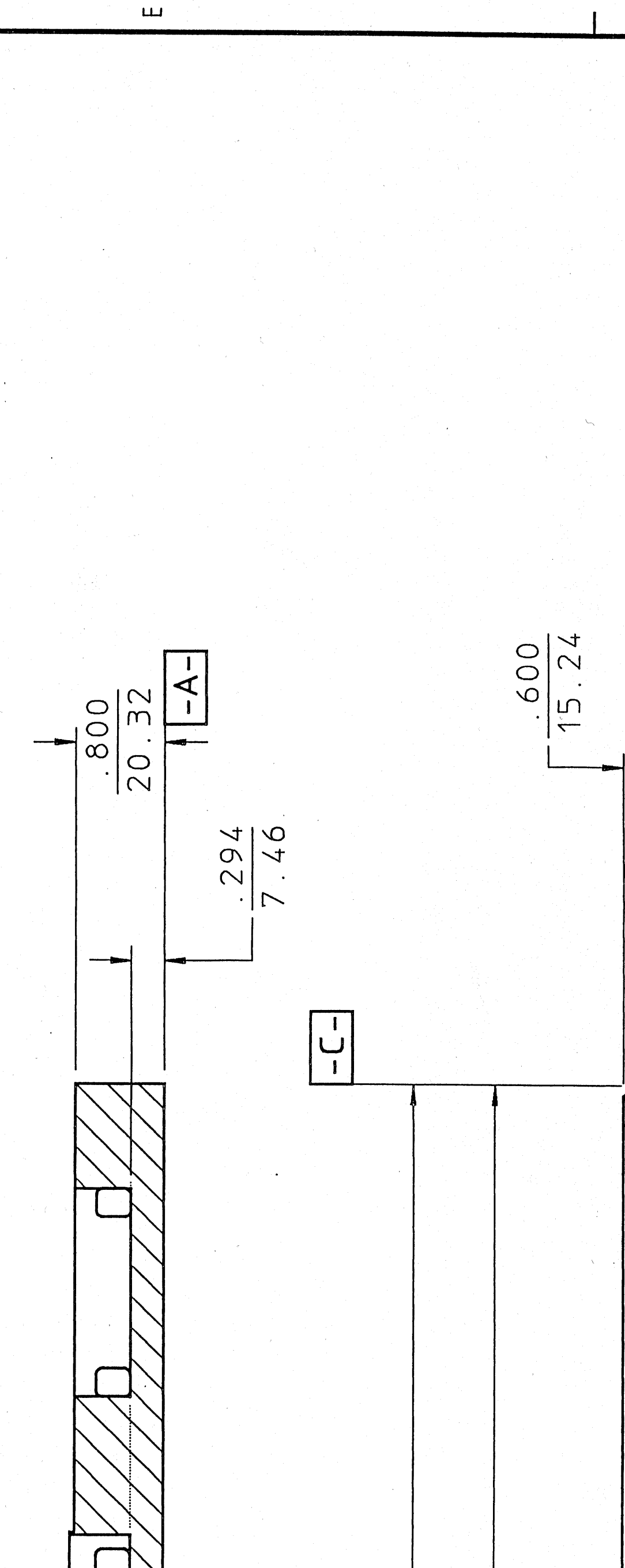
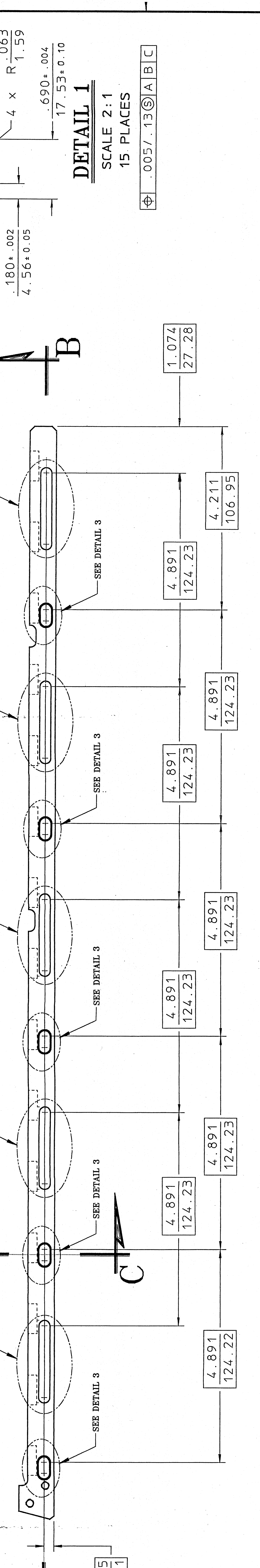
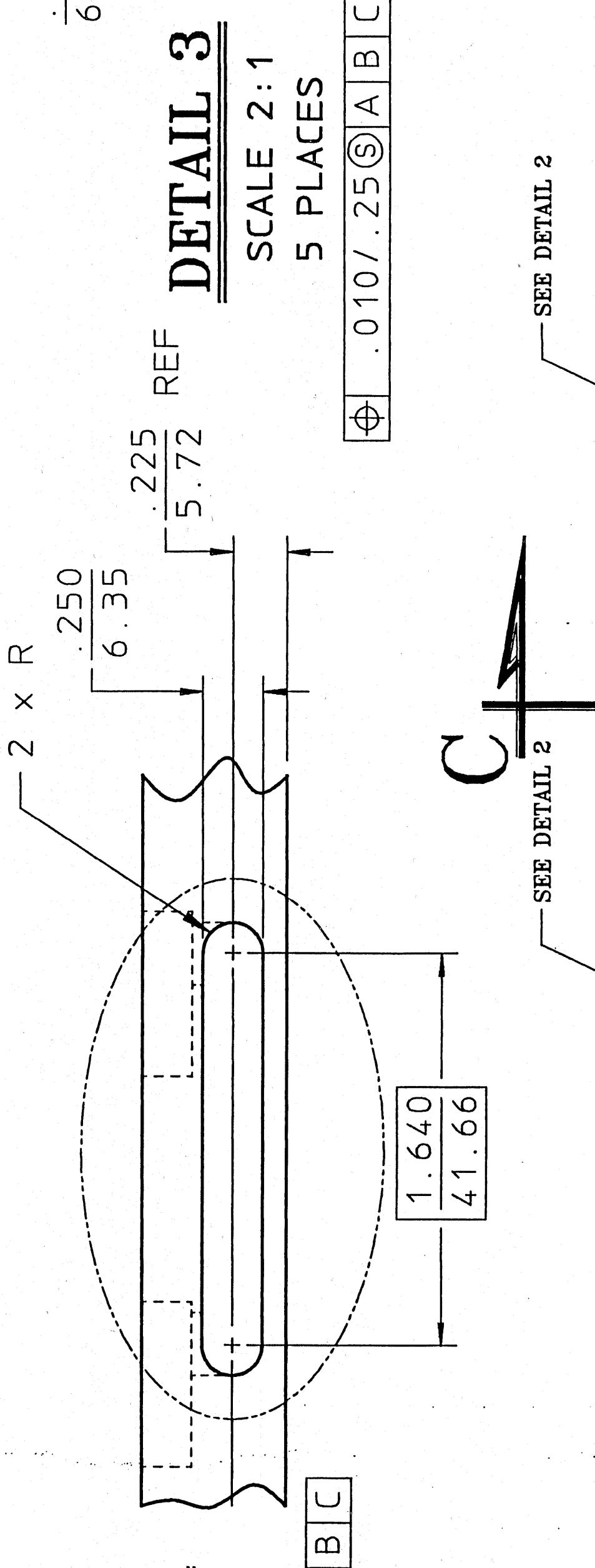
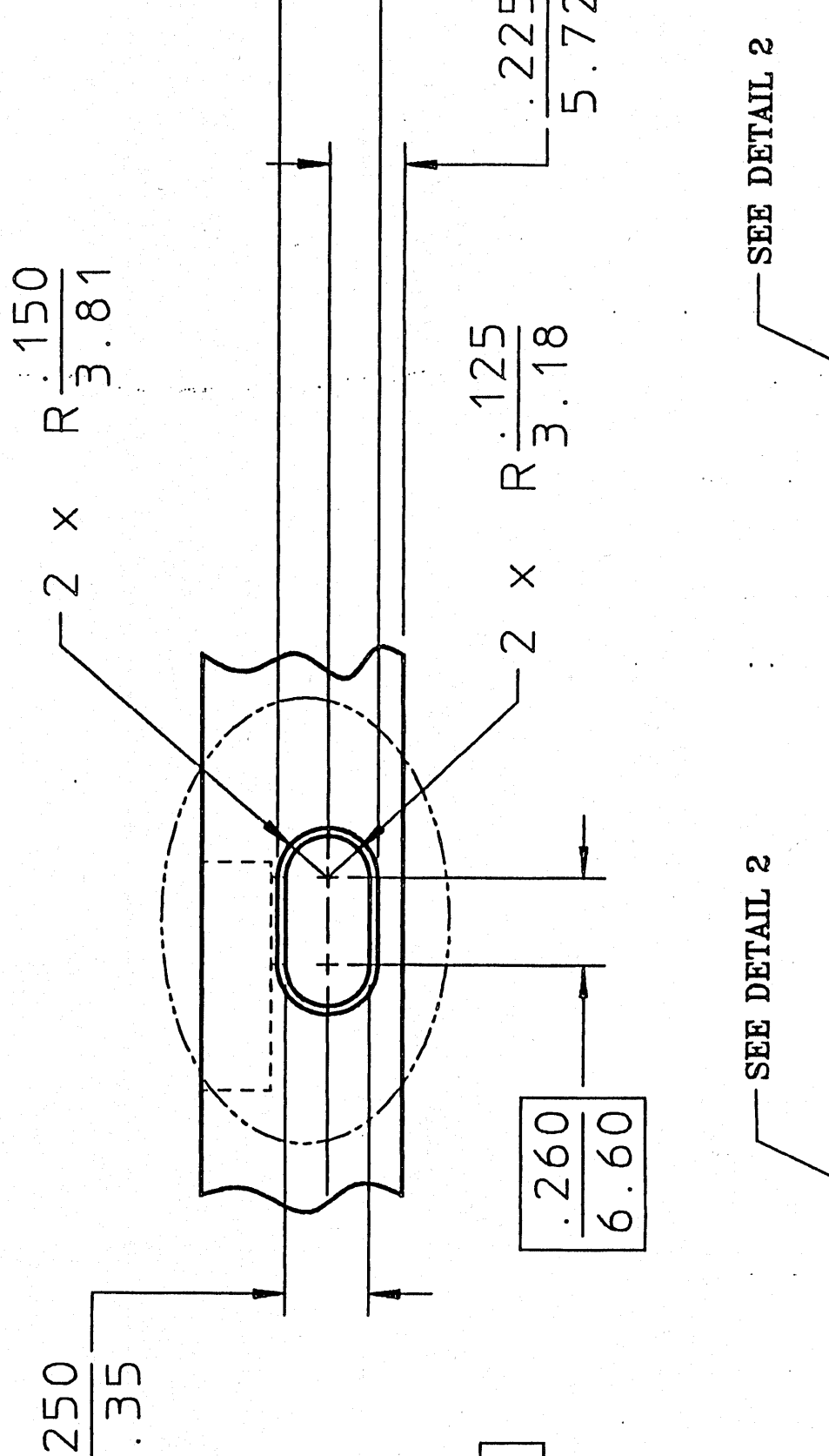
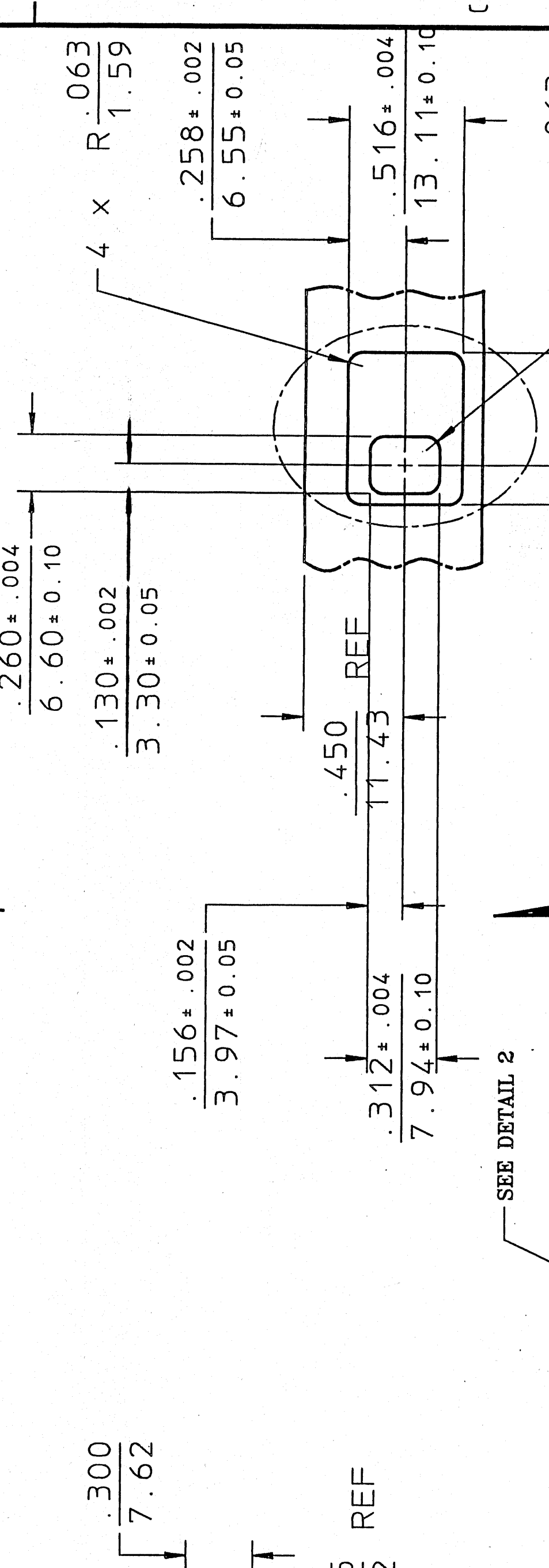
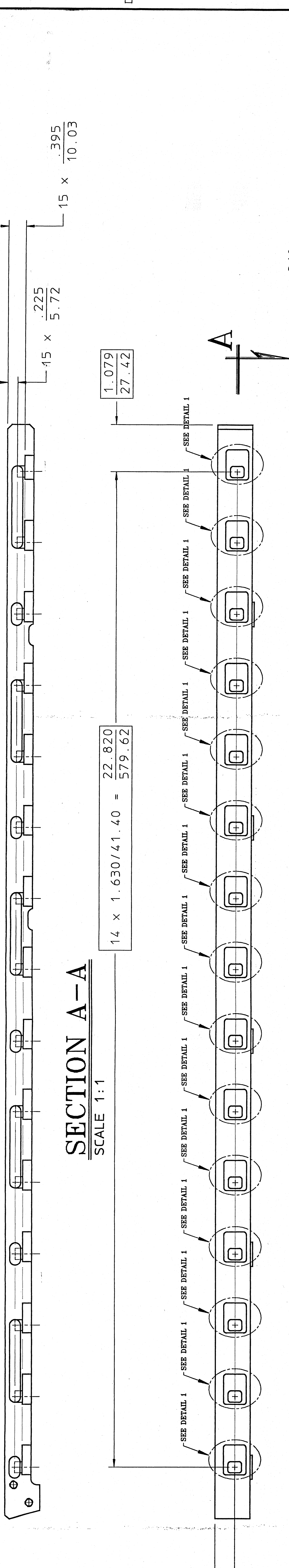


ITEM	QTY	DESCRIPTION	MATERIAL
			ALUMINUM 6061-T6



REV	DESCRIPTION	DATE	BY	CHK

UNLESS OTHERWISE SPECIFIED	ALL DIMENSIONS ARE IN INCHES
ANGLES	UNLESS OTHERWISE SPECIFIED
FINISH	XX-X - 0.025/0.05
DRILL	
BORE	
DRILL	
DRILL	
DRILL	
DRILL	
DRILL	

STAR DRAWING NUMBER	REV	PRICE DRAWING NUMBER	REV
IPC387-E-1	A	XXXXXXXXXX	

UNIVERSITY	LAWRENCE BERKELEY LABORATORY
PROJECT	
DESIGNED BY	
DRAWN BY	
CHECKED BY	
APPROVED BY	

STAR DRAWING NUMBER	REV	PRICE DRAWING NUMBER	REV
IPC387-E-1	A	XXXXXXXXXX	

24A4856