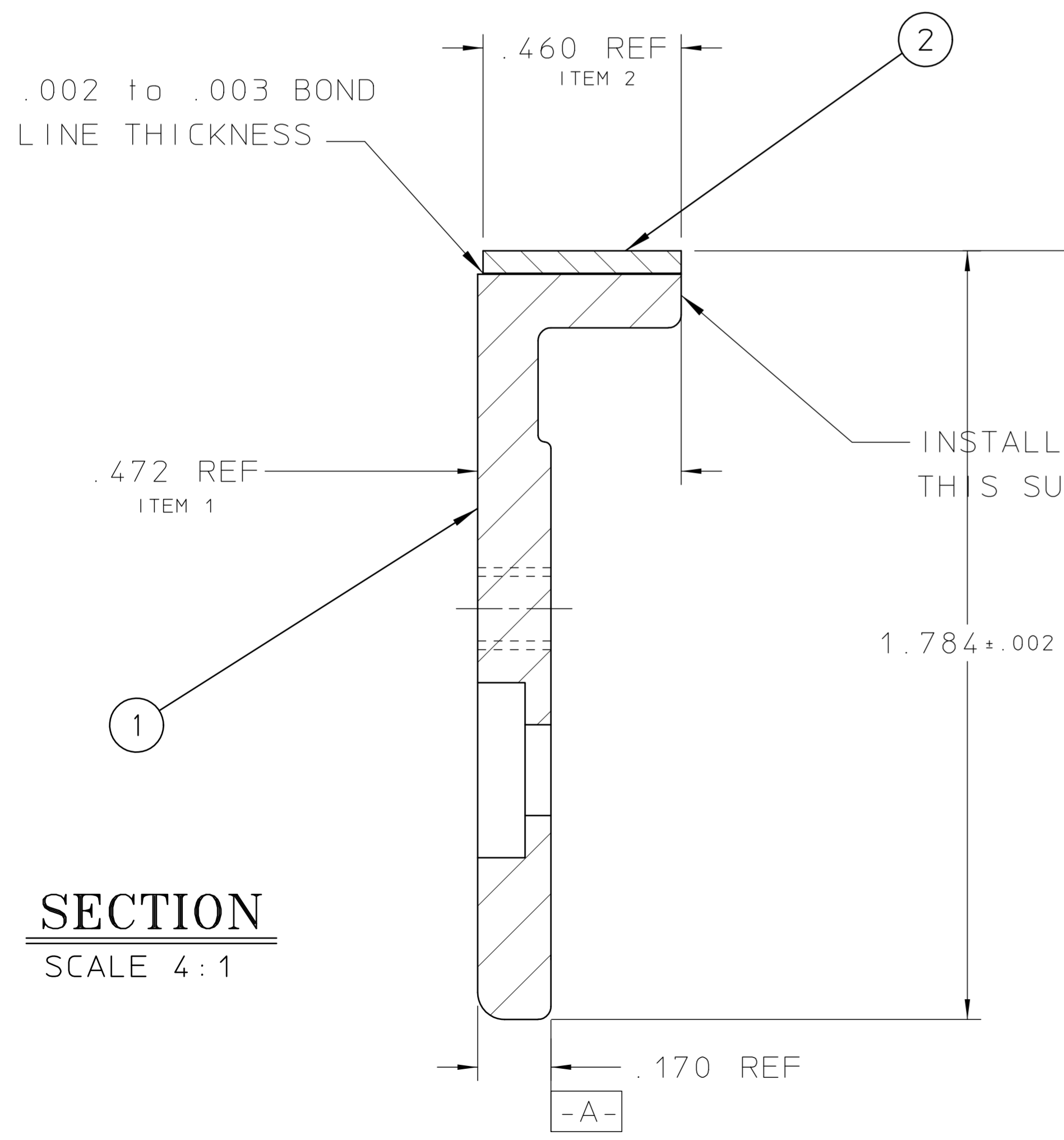
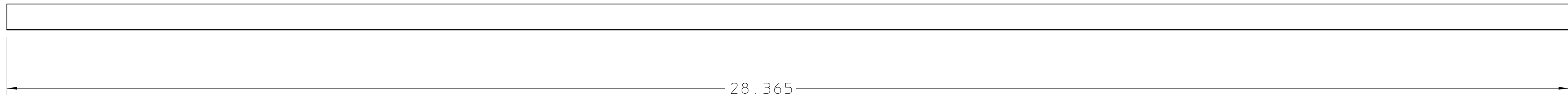


REQ	ITEM	PART NUMBER	DESCRIPTION
1	1	24A3904	GATED GRID WIRE MOUNT, LEFT
1	2	24A3832-2	GATED GRID MOUNT INSULATING BOARD



-B-	
	.003 A
	.002
RESTRAINED	

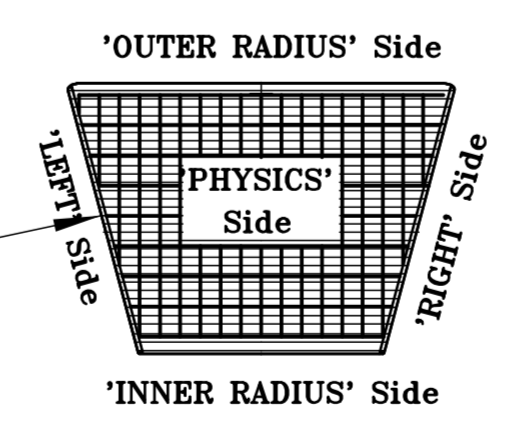


24A4604

NOTES

- CLEAN MATING SURFACES WITH ALCOHOL.
- BOND ITEM 1 AND ITEM 2 TOGETHER WITH AN ADHESIVE MIXTURE OF 60% by weight "EPON 826" EPOXY RESIN TO 40% by weight "HENKEL VERSAMID 140". CURE AT 68°±5° F FOR 24 HRS.

LOCATION of this PART in the OUTER SECTOR



UNLESS OTHERWISE SPECIFIED				SHOP ORDERS			LAWRENCE BERKELEY LABORATORY							
TOLERANCES		.X ± .1		FRAC. ± 1/64		ACCT. NO.	SERIAL NO.		UNIVERSITY OF CALIFORNIA-BERKELEY					
		.XX ± .02		ANGLES ± 1°		DATE ISSD	DATE RECD.	NO. RECD.	RHIC-STAR-TPC					
		.XXX ± .005		FINISH 125/7		DELIVER TO		OUTER SECTOR						
THREADS ARE CLASS 2				SURFACE TREATMENT			DEGREASE		GATED GRID WIRE MOUNT ASSEMBLY, LEFT					
CHAMFER ENDS OF ALL SCREW THREADS 30°				IDENT. METH.			SEE NOTES		PATENT CLEAR	DWG. TYPE	SHOWN ON	SCALE	FULL	DO NOT SCALE PRINTS
CUT 1.5 PITCH THRO RELIEF WITH ROUND NOSE TOOL ON MACHINE CUT THREADS.				BY			DATE		MICROFILMED	DESIGN ACCT. NO.	CATEGORY CODE	DWG. NO.	SIZE	REV.
BREAK EDGES .016 MAX. ON MACHINED WORK				J. BOEHM			94-05-02		8052-24	8052-24	SR-02-04	24A4604		
REMOVE BURRS WELD SPLATTER & LOOSE SCALE				J. BERCOVITZ			94-05-02							
REFERENCES: ANSI Y14.5 & B46.1.														
REV	DWG	CHK	ZONE	DATE	CHANGES									