

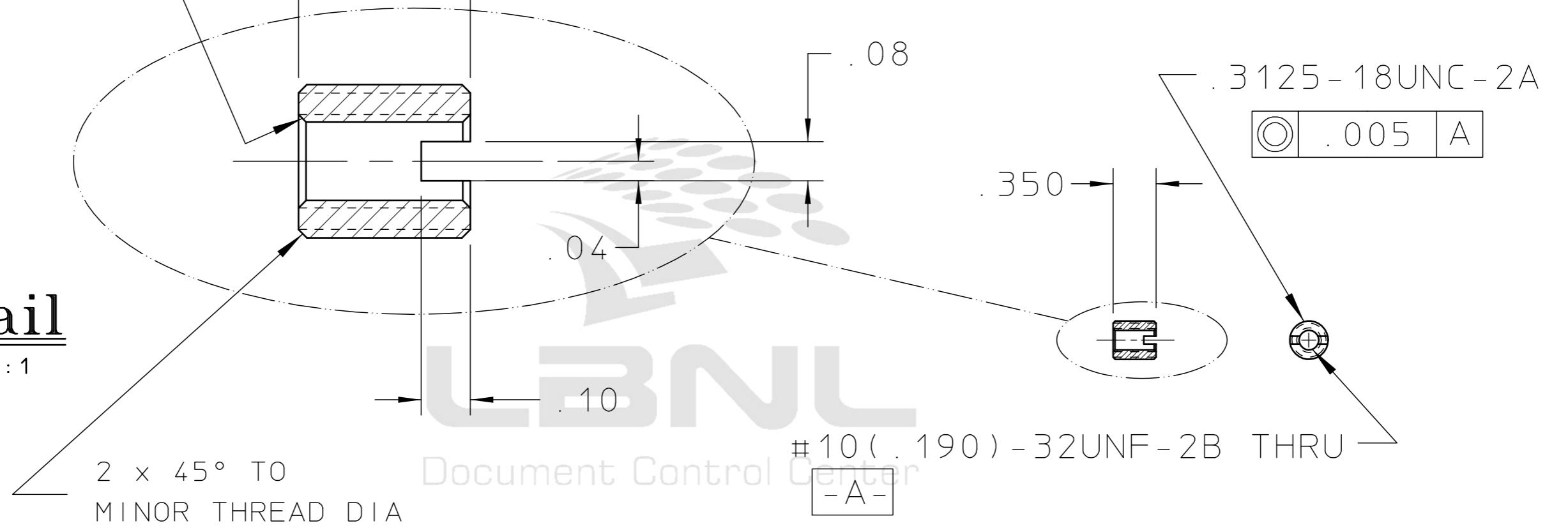
REQD	ITEM	PART NUMBER	DESCRIPTION
24A4242A			SILICON BRONZE TYPE CDA 647 or CDA 655

.350 REF

2 x 45° TO  
MAJOR THREAD DIA

**Detail**  
SCALE 4:1

2 x 45° TO  
MINOR THREAD DIA



LBNL  
Document Control Center

#10(.190)-32UNF-2B THRU

-A-

				UNLESS OTHERWISE SPECIFIED	SHOP ORDERS			LAWRENCE BERKELEY LABORATORY					
				TOLERANCE .X ± .1 .XX ± .02 .XXX ± .005	ACCT NO	SER NO		UNIVERSITY OF CALIFORNIA-BERKELEY					
				SURFACE FINISH 125 ✓	DATE ISSD	DATE REQD	NO REQD	RHIC-STAR-TPC					
				1. SAWED, FLAMECUT, SHEARED OR CUT STOCK FINISH. 2. THREADS CLASS 2. 3. CHAMFER ENDS OF ALL SCREW THRDS 30°. 4. 1 1/2 PITCH RELIEF WITH ROUND NOSE TOOL ON ALL MACHINE CUT THRDS. 5. BREAK EDGES 1/64 MAX. ON MACHINE WORK. 6. REMOVE BURRS, LOOSE SCALE AND WELD SPLATTER. 7. REF.-USASI OR ASA STDS SECT Y-14 & B46-1.	DELIVER TO			OUTER AND INNER SECTOR					
					SURFACE TREATMENT			WIRE MOUNT THREAD SUPPORT, 10-32					
					IDENTIFIC BAG & TAG			PAT CLEAR	DWG TYPE	SHOWN ON	SCALE: FULL		
A	JB	940419	ADDED STAR BOX, CHANGED CHAMF TO MINOR/MAJOR CALLOUT		DWG BY	J. BOEHM	DATE	94-03-17	MICROFILMED	DESIGN ACCT NO	CATEGORY CODE	DWG NO	REV
REV	DWN	CHK	DATE	DESCRIPTION	CHK BY	J. BERCOVITZ	DATE	94-03-17		8052-24	SR-02-04	24A4242A	

Officially Released to the LBNL Document Control Center  
Released: DCC Auth Key: VJRVG5ZUK0