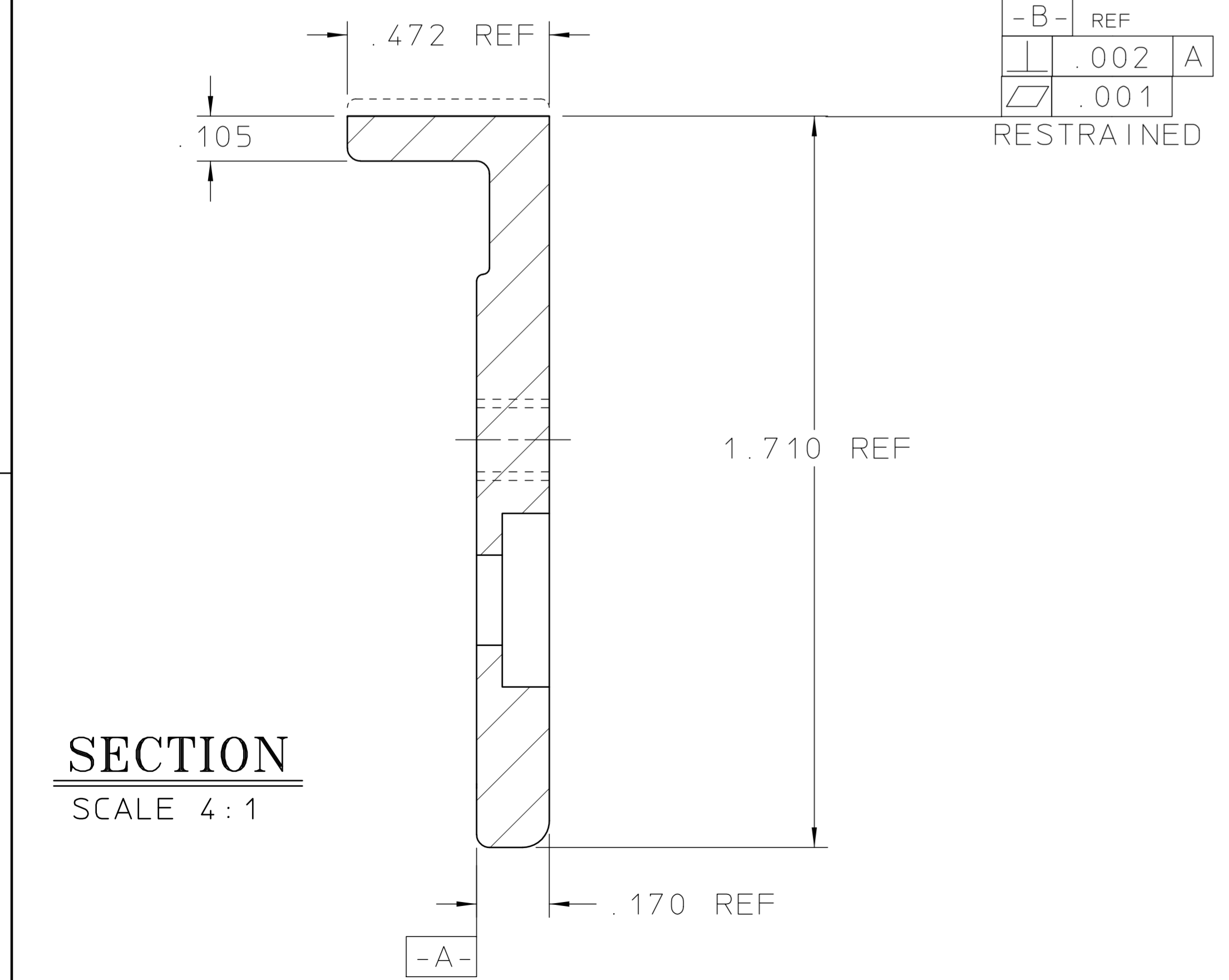
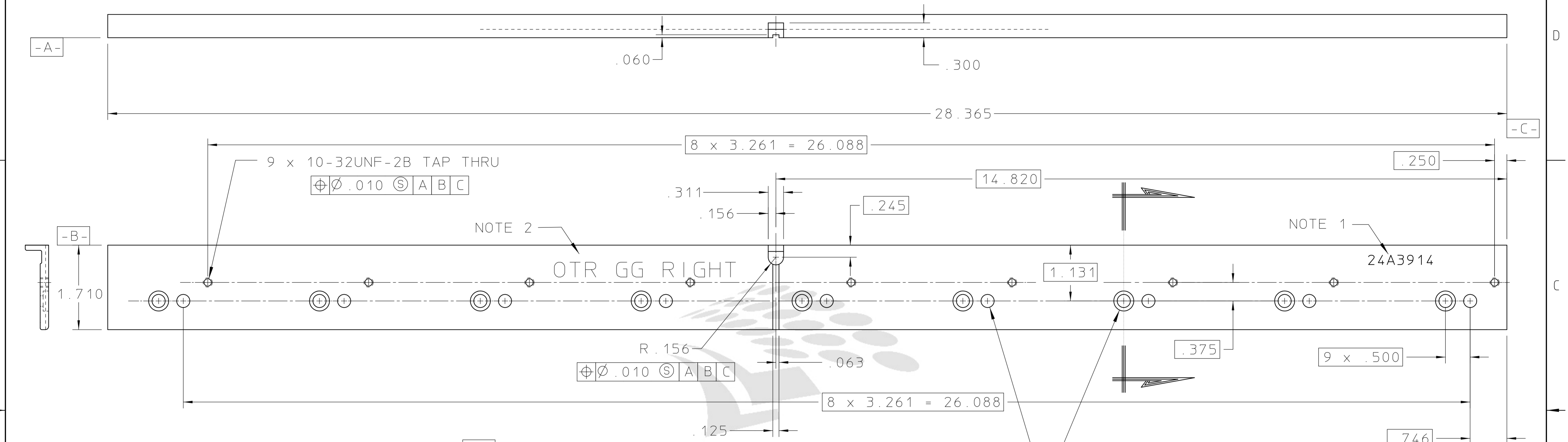
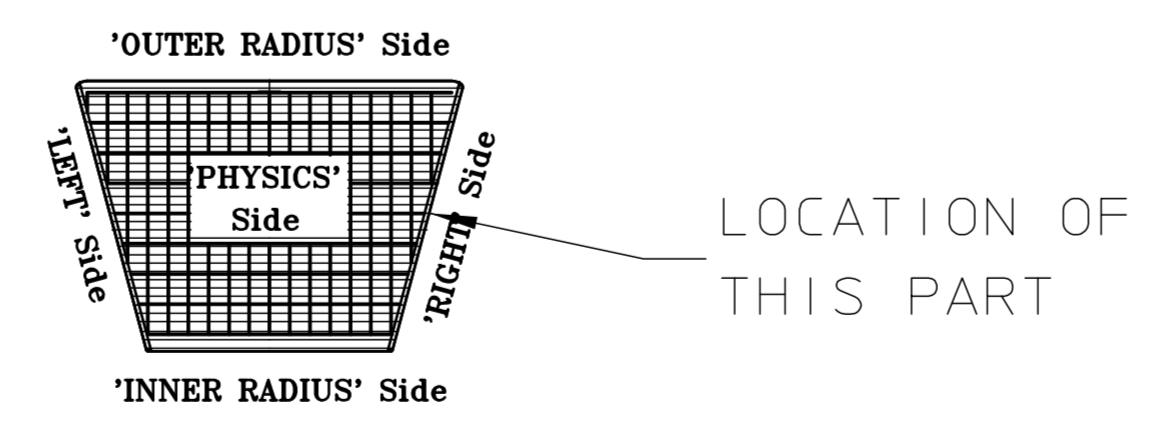


REQ	ITEM	PART NUMBER	DESCRIPTION
		24A3843	GATED GRID WIRE MOUNT EXTRUSION



LBNL
Document Control Center

- NOTES
- VIBRA-ETCH or ENGRAVE PART No 24A3914 IN .2 HIGH CHARACTERS IN LOCATION SHOWN.
 - VIBRA ETCH or ENGRAVE "OTR S RIGHT" IN .3 CHARACTERS IN LOCATION SHOWN.



REV	DWG	CHK	ZONE	DATE	CHANGES	TOLERANCES	UNLESS OTHERWISE SPECIFIED	SHOP ORDERS	LAWRENCE BERKELEY LABORATORY
						.X ± .1	FRAC. ± 1/64	ACCT. NO.	SERIAL NO.
						.XX ± .02	ANGLES ± 1°	DATE ISSD	DATE RECD.
						.XXX ± .005	FINISH 125	DELIVER TO	NO. RECD.
						THREADS ARE CLASS 2		SURFACE TREATMENT	
						CHAMFER ENDS OF ALL SCREW THREADS 30°		DEGREASE	
						CUT 1.5 PITCH THRU RELIEF WITH ROUND NOSE TOOL ON MACHINE CUT THREADS.		PATENT CLEAR	
						BREAK EDGES .016 MAX. ON MACHINED WORK		DWG. TYPE	
						REMOVE BURRS WELD SPLATTER & LOOSE SCALE		DETAIL	
						REFERENCES: ANSI Y14.5 & B46.1.		SCALE FULL	
						DWG. J. BOEHM		DWG. NO.	
						CHK. J. BERCOVITZ		SR-02-04	
						DATE 93-11-08		24A3914	
						DATE 93-11-08		DO NOT SCALE PRINTS	
						MICROFILMED		REV.	
						DESIGN ACCT. NO. 8052-24			
						CATEGORY CODE			