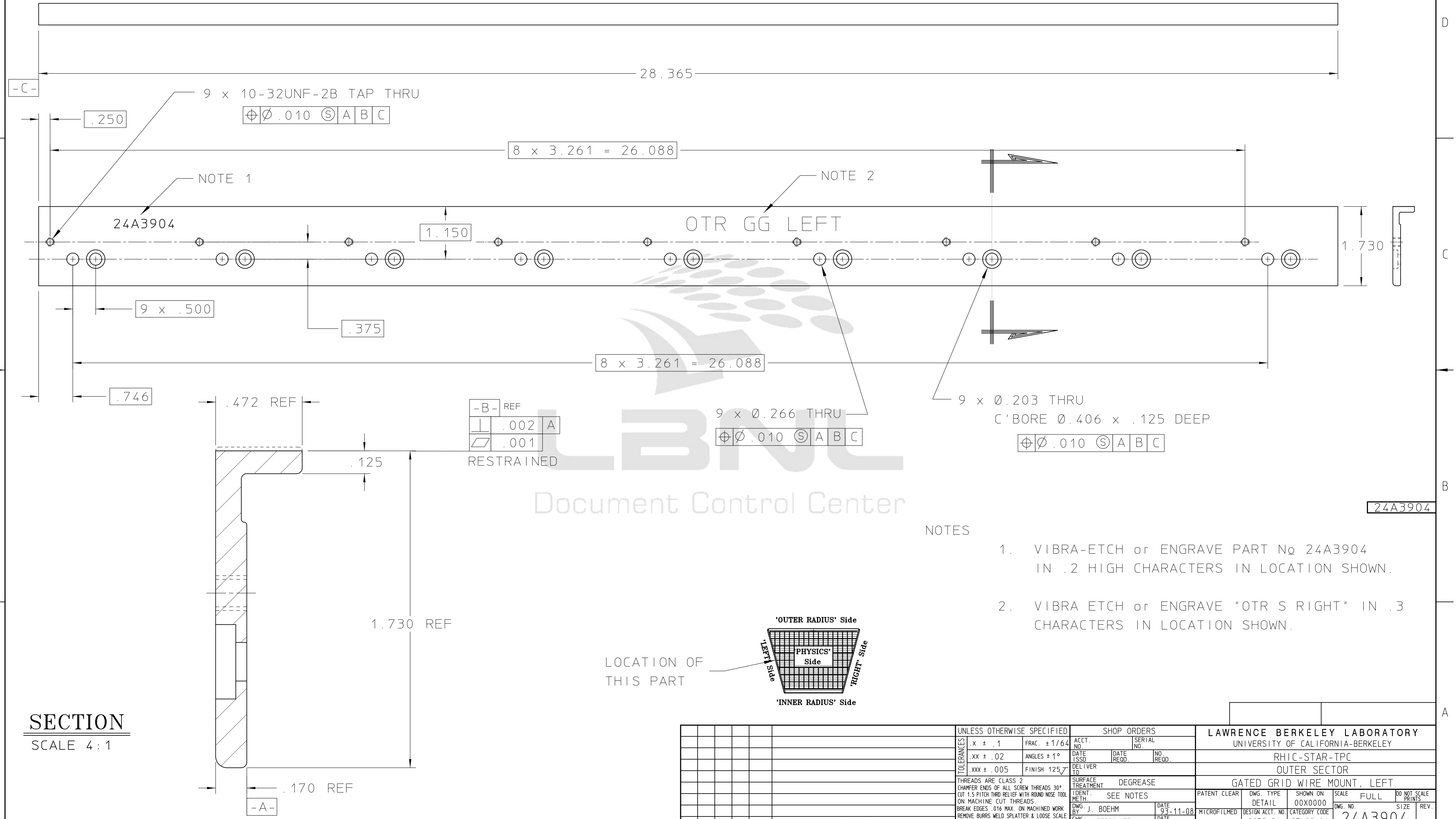


REQ	ITEM	PART NUMBER	DESCRIPTION
		24A3843	GATED GRID WIRE MOUNT EXTRUSION



-B- REF		A
⊥	.002	A
∠	.001	

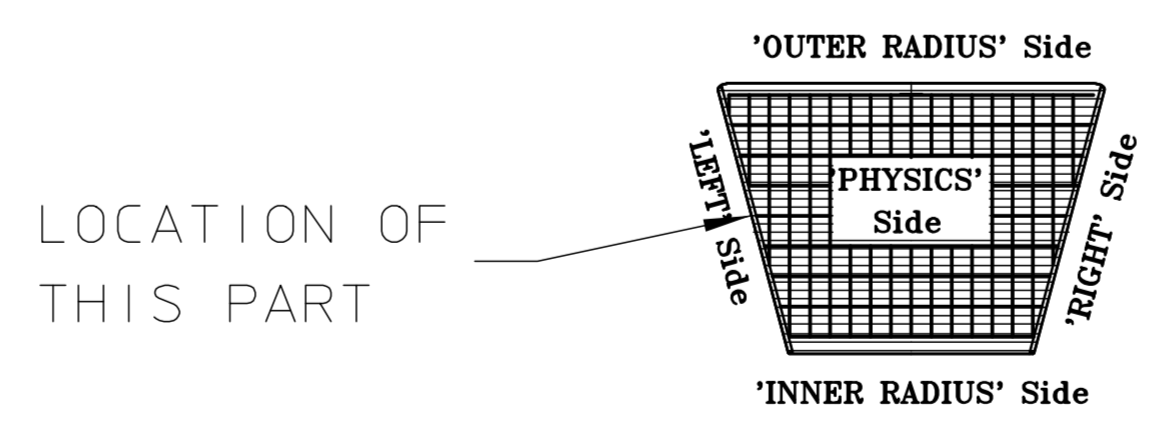
RESTRAINED

9 x Ø.266 THRU		A B C
⊕	Ø.010	Ⓢ A B C

9 x Ø.203 THRU		A B C
⊕	Ø.010	Ⓢ A B C

NOTES

- VIBRA-ETCH or ENGRAVE PART No 24A3904 IN .2 HIGH CHARACTERS IN LOCATION SHOWN.
- VIBRA ETCH or ENGRAVE "OTR S RIGHT" IN .3 CHARACTERS IN LOCATION SHOWN.



SECTION
SCALE 4:1

UNLESS OTHERWISE SPECIFIED				SHOP ORDERS			LAWRENCE BERKELEY LABORATORY						
TOLERANCES		.X ± .1		FRAC. ± 1/64		ACCT. NO.		SERIAL NO.		UNIVERSITY OF CALIFORNIA-BERKELEY			
		.XX ± .02		ANGLES ± 1°		DATE ISSD		DATE RECD.		RHIC-STAR-TPC			
		.XXX ± .005		FINISH 125		DELIVER TO				OUTER SECTOR			
THREADS ARE CLASS 2				SURFACE TREATMENT				GATED GRID WIRE MOUNT, LEFT					
CHAMFER ENDS OF ALL SCREW THREADS 30°				DEGREASE				PATENT CLEAR		DWG. TYPE		SHOWN ON	
CUT 1.5 PITCH THRU RELIEF WITH ROUND NOSE TOOL ON MACHINE CUT THREADS.				SEE NOTES				DETAIL		00X000		SCALE FULL	
BREAK EDGES .016 MAX. ON MACHINED WORK				DWG. J. BOEHM		DATE 93-11-08		MICROFILMED		DESIGN ACCT. NO.		CATEGORY CODE	
REMOVE BURRS WELD SPLATTER & LOOSE SCALE				CHK. J. BERCOVITZ		DATE 93-11-08		8052-24		SR-02-04		24A3904	
REFERENCES: ANSI Y14.5 & B46.1.				REV		DWG		CHK		ZONE		DATE	
				CHANGES									