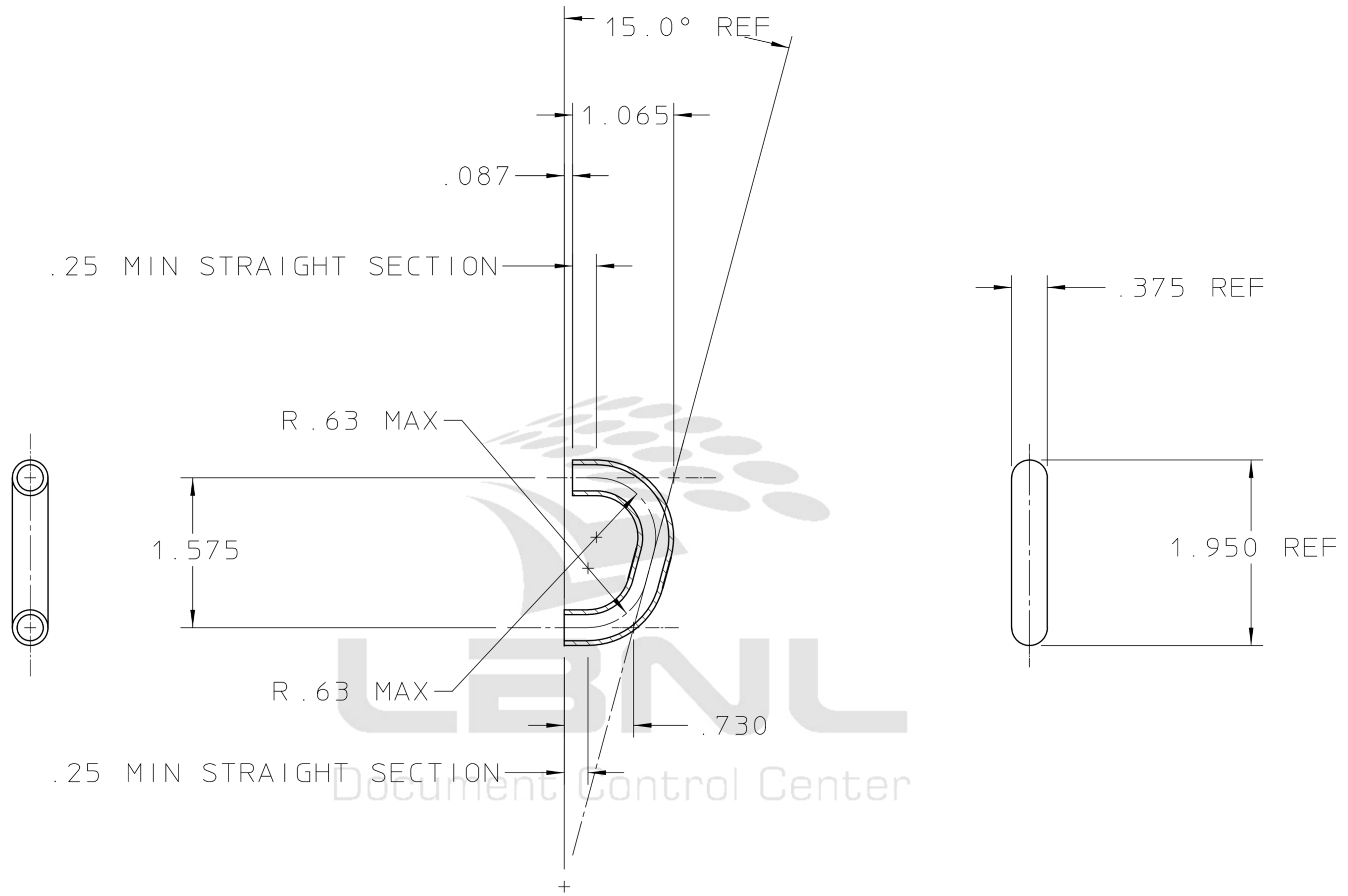


REQ	ITEM	PART NUMBER	DESCRIPTION
			TUBE, EXTRUDED, (REFRIGERATION), ALUMINUM 1200-F
			(or equivalent), Ø .375" O.D. x .050 WALL



PRELIMINARY

REV	DWG	CHK	ZONE	DATE	CHANGES	TOLERANCES	UNLESS OTHERWISE SPECIFIED	SHOP ORDERS	LAWRENCE BERKELEY LABORATORY
						.X ± .1	FRAC. ± 1/64	ACCT. NO.	SERIAL NO.
						.XX ± .02	ANGLES ± .01°	DATE ISSD	DATE RECD.
						.XXX ± .005	FINISH 125	NO. RECD.	
						THREADS ARE CLASS 2		DELIVER TO	RHIC-STAR-TPC
						CHAMFER ENDS OF ALL SCREW THREADS 30°		SURFACE TREATMENT	COOLING MANIFOLD BRAZE ASSEMBLY
						CUT 1.5 PITCH THRO RELIEF WITH ROUND NOSE TOOL ON MACHINE CUT THREADS.		DEGREASE	U-BEND
						BREAK EDGES .016 MAX. ON MACHINED WORK		BAG & TAG	PATENT CLEAR
						REMOVE BURRS WELD SPLATTER & LOOSE SCALE		IDENT. METH.	DWG. TYPE
						REFERENCES: ANSI Y14.5 & B46.1.		BY J. BOEHM	ASSEMBLY 00X0000
								DATE 93-09-30	SCALE FULL
								DATE 93-09-30	DO NOT SCALE PRINTS
									DWG. NO.
									24A3753
									SIZE
									REV.