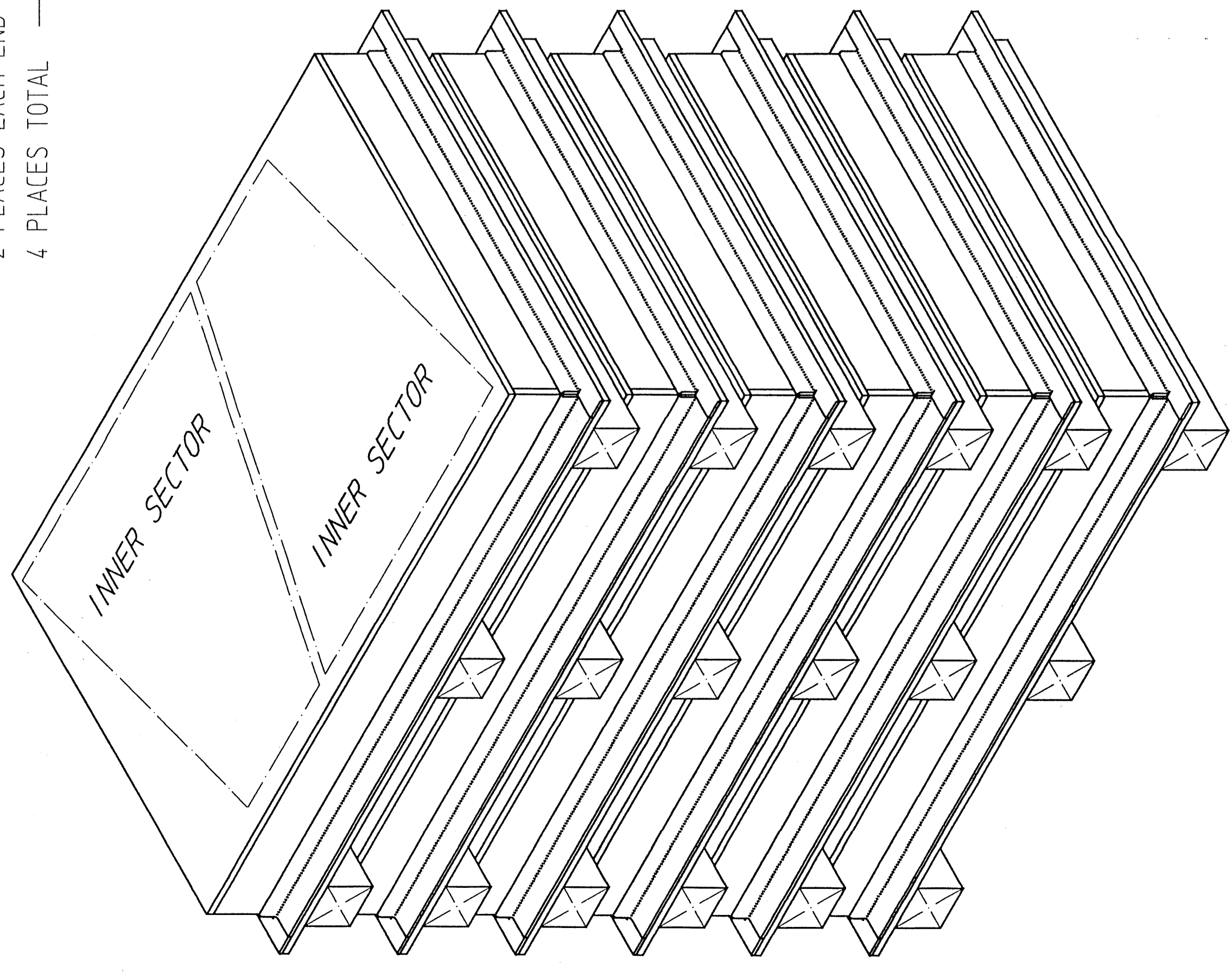
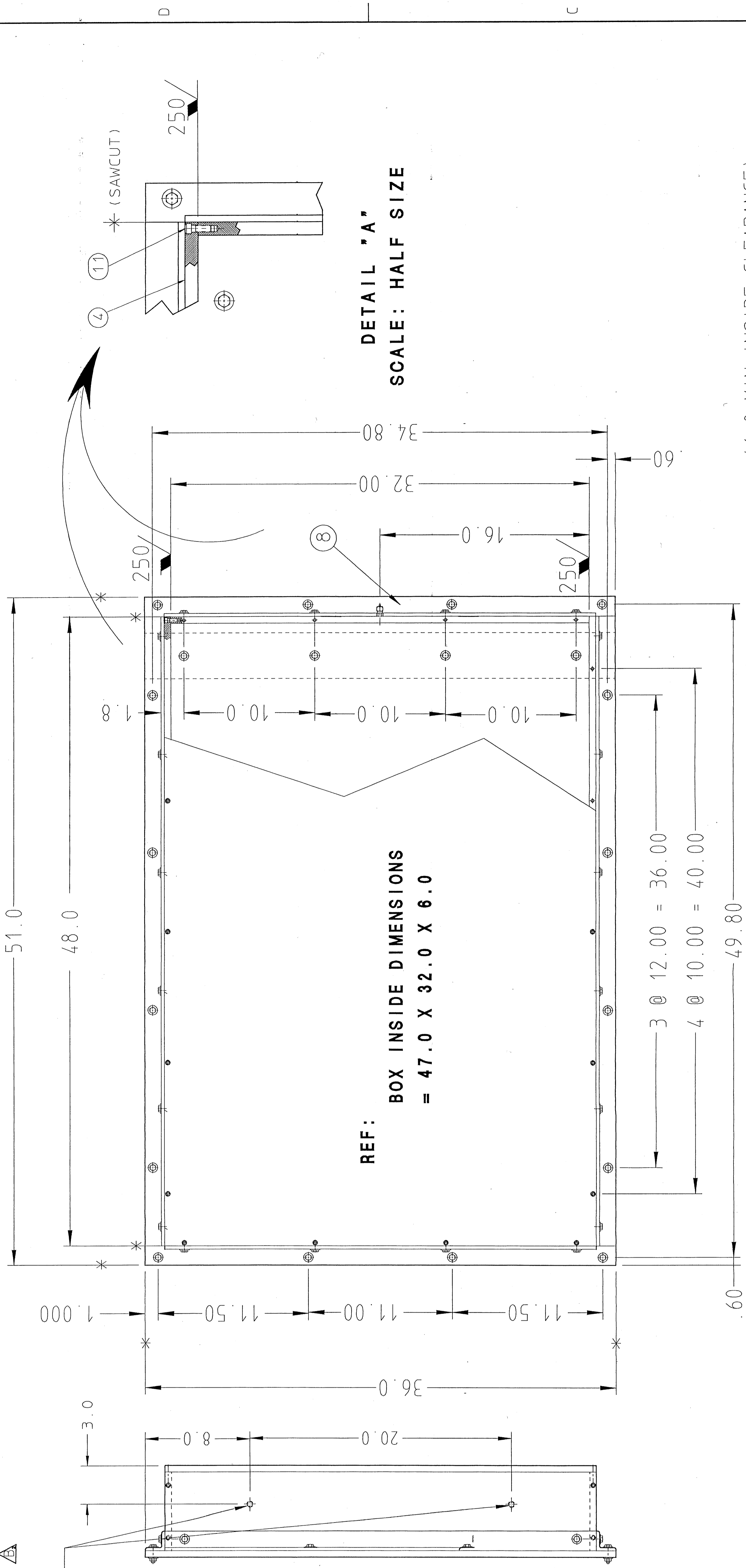


1/2-13UNC TAPPED HOLE
2 PLACES EACH END
4 PLACES TOTAL



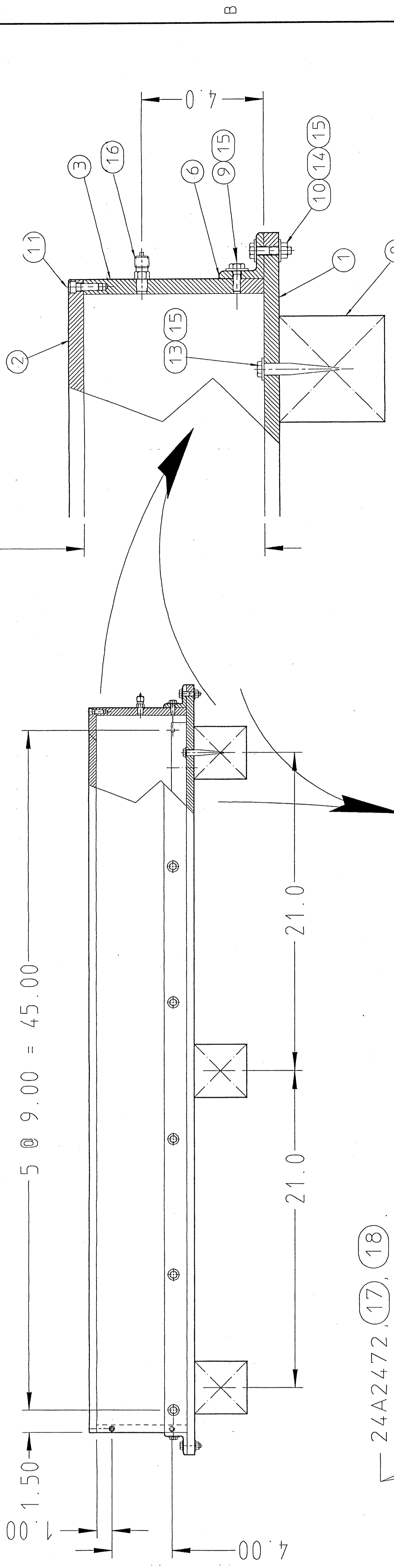
STACKED CONFIGURATION

(REF: 39 BOXES REQUIRED)



DETAIL "A"
SCALE: HALF SIZE

(6.0 MIN INSIDE CLEARANCE)



DETAIL "B"
SCALE: HALF SIZE

1.0 STOCK - REF

24A2472 (17), (18)

1/4-20UNC-28 TAPPED HOLE
IN BASE PLATE FOR SPACER
BARS. (6) TOTAL

REF: BNC CONNECTOR LOCATIONS.

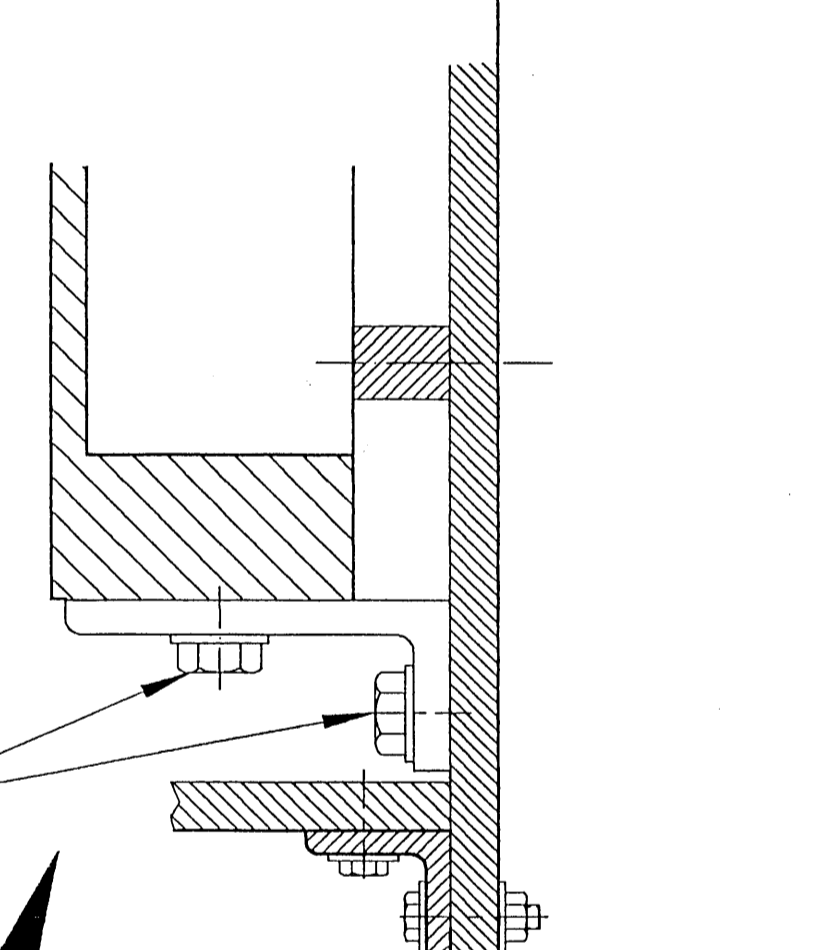
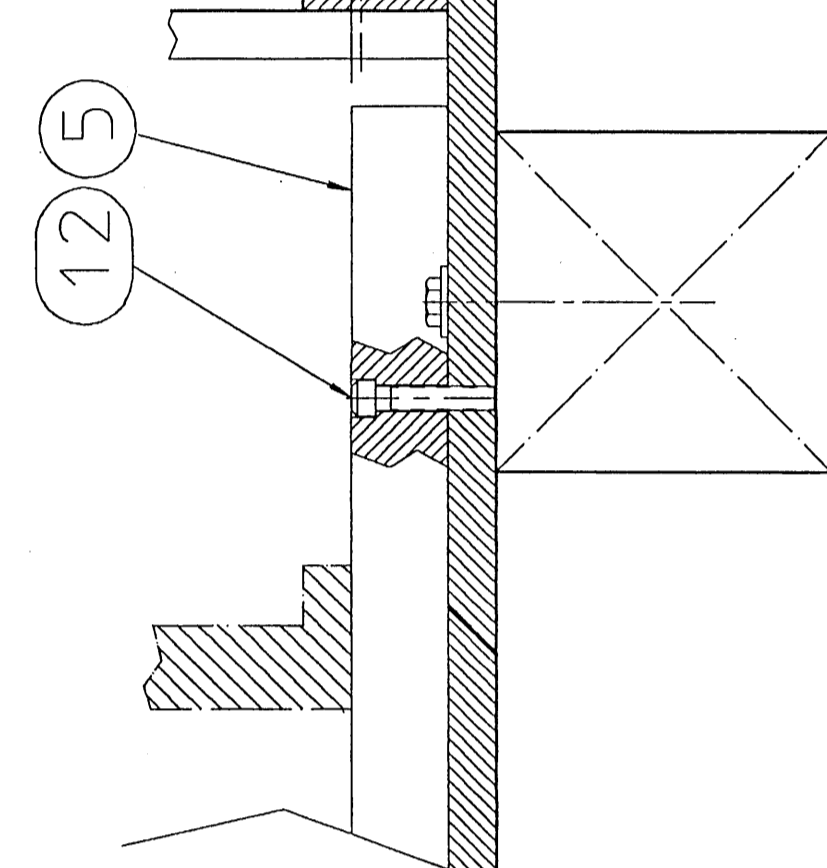
24A2472 (17) (18)
1/2-13UNC-28 TAPPED HOLE IN
BASE PLATE FOR HOLD DOWN CLAMPS.
(4) PER INNER SECTOR CONTAINER
(2) PER OUTER SECTOR CONTAINER
SEE DETAIL "D"

SPACER BAR (5) SEE DETAIL "C"

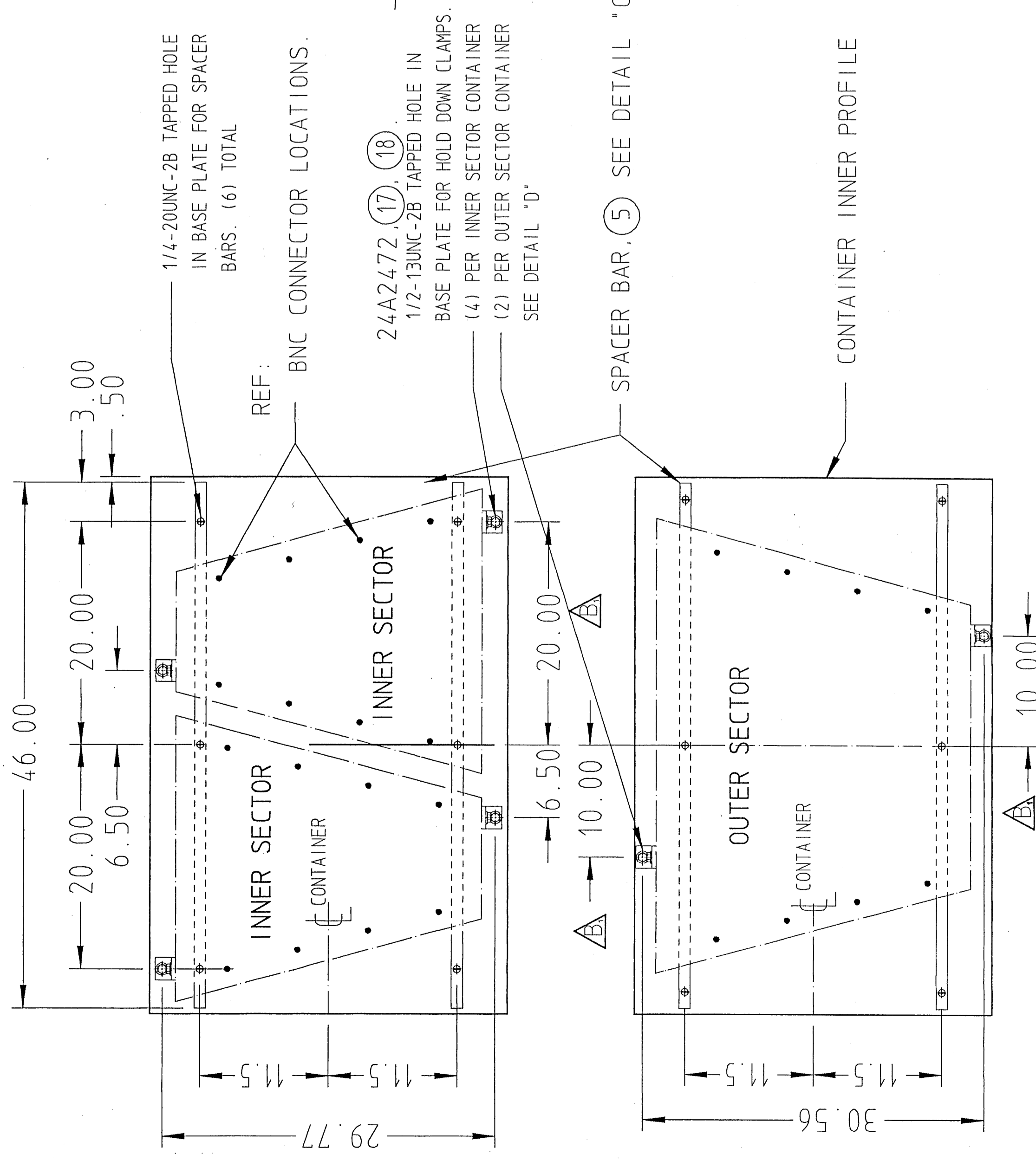
CONTAINER INNER PROFILE

HOLD DOWN DETAIL "D"
SCALE: HALF SIZE

SPACER BAR DETAIL "C"
SCALE: HALF SIZE



STORAGE CONFIGURATION



QTY	DESCRIPTION	UNIT	REF	REVISION
2	24A2472	SECTOR STORAGE HOLD DOWN		
4	4	WASHER - 1/2 NOM STL CAD PL		
4	4	CAP SCREW - 1/2-13UNC HEX HD STL X 0.75 LG CAD PL		
16	16	1/4 NOM UNION COLLING BRASS LBL STOCK NO. 4730-16170		
16	16	WASHER - 1/4 NOM STL CAD PL		
16	16	NUT - 1/4-20UNC HEX STL CAD PL		
14	14	LAGE BOLT - 1/4 NOM HEX HD STL X 2.50 LG		
12	12	CAP SCREW - 1/4-20UNC SOC HD STL X 1.25 LG		
26	26	CAP SCREW - 1/4-20UNC SOC HD STL X 0.75 LG		
26	26	CAP SCREW - 1/4-20UNC HEX HD STL X 1.25 LG CAD PL		
30	30	CAP SCREW - 1/4-20UNC HEX HD STL X 0.75 LG CAD PL		
3	3	CONSTRUCTION GRADE LUMBER 1X4 DF OR EQ		
2	2	ANGLE, ALUMINUM ALLOY 6061-T6 X 1.5" X 1.5" X .25"		
2	2	BAR, ALUMINUM ALLOY 6061-T6 X 1.5" X 1.5" X .25"		
2	2	BAR, ALUMINUM ALLOY 6061-T6 X 1.0" X 0.75"		
2	2	BAR, ALUMINUM ALLOY 6061-T6 X 6.0" X 0.5"		
2	2	BAR, ALUMINUM ALLOY 6061-T6 X 6.0" X 0.5"		
1	1	PLATE, ALUMINUM ALLOY 6061-T6 X 0.5 THK		
1	1	PLATE, ALUMINUM ALLOY 6061-T6 X 0.5 THK		

UNLESS OTHERWISE SPECIFIED	REVISION	DATE	BY	CHK	APP
3/8" X 1/4" FRA. #					
1/8" X 1/4" FRA. #					
1/4" X 1/4" FRA. #					
3/16" X 1/4" FRA. #					
1/2" X 1/4" FRA. #					
3/4" X 1/4" FRA. #					
1" X 1/4" FRA. #					
1 1/4" X 1/4" FRA. #					
1 1/2" X 1/4" FRA. #					
2" X 1/4" FRA. #					
3" X 1/4" FRA. #					
4" X 1/4" FRA. #					
6" X 1/4" FRA. #					
8" X 1/4" FRA. #					
10" X 1/4" FRA. #					
12" X 1/4" FRA. #					
14" X 1/4" FRA. #					
16" X 1/4" FRA. #					
18" X 1/4" FRA. #					
20" X 1/4" FRA. #					
24" X 1/4" FRA. #					
30" X 1/4" FRA. #					
36" X 1/4" FRA. #					
42" X 1/4" FRA. #					
48" X 1/4" FRA. #					
54" X 1/4" FRA. #					
60" X 1/4" FRA. #					

REVISION	DATE	BY	CHK	APP
B2 B/C	12-94	ADD 14 1/2-13UNC TAPPED HOLES FOR LIFTING		
B1 B/C	12-94	ADD CENTERLINE DIMENSIONS		
A B/C	8-94	6.0 INCH BAR WAS 5.0		
REV	DATE	DESCRIPTION		
1	08-05-94	REV J BERGQVIST		
2	08-05-94	REV J BERGQVIST		
3		CHANGES		
4				
5				
6				
7				
8				