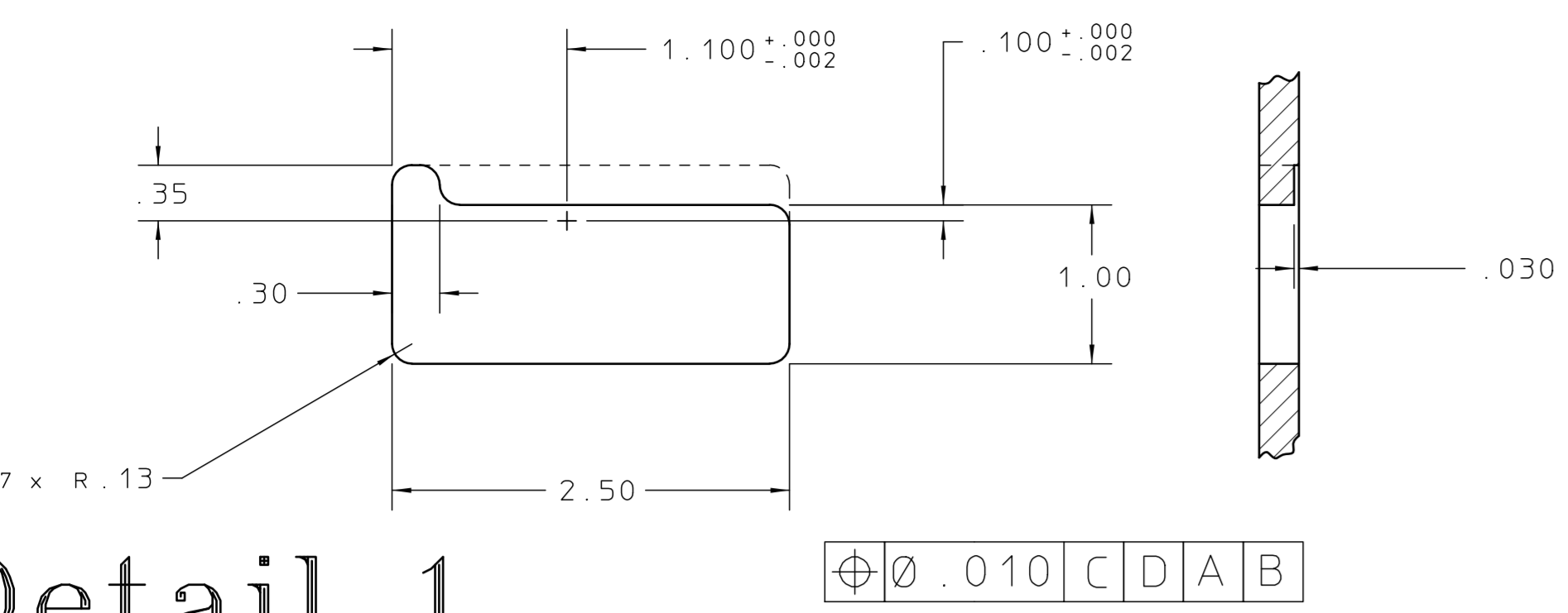
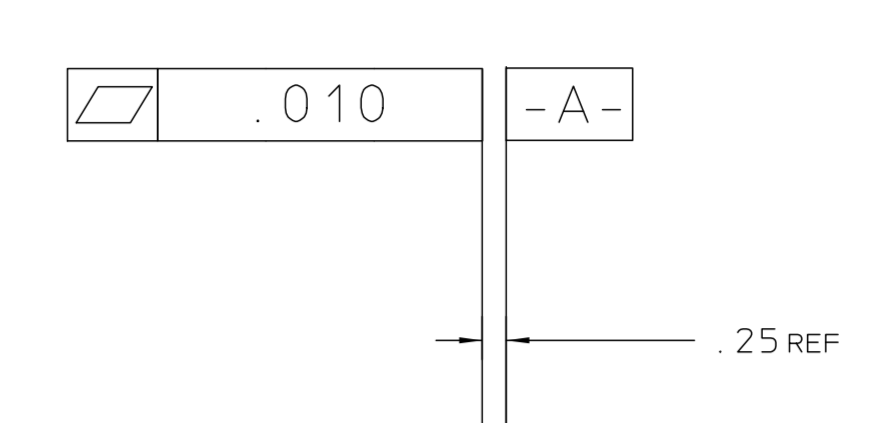
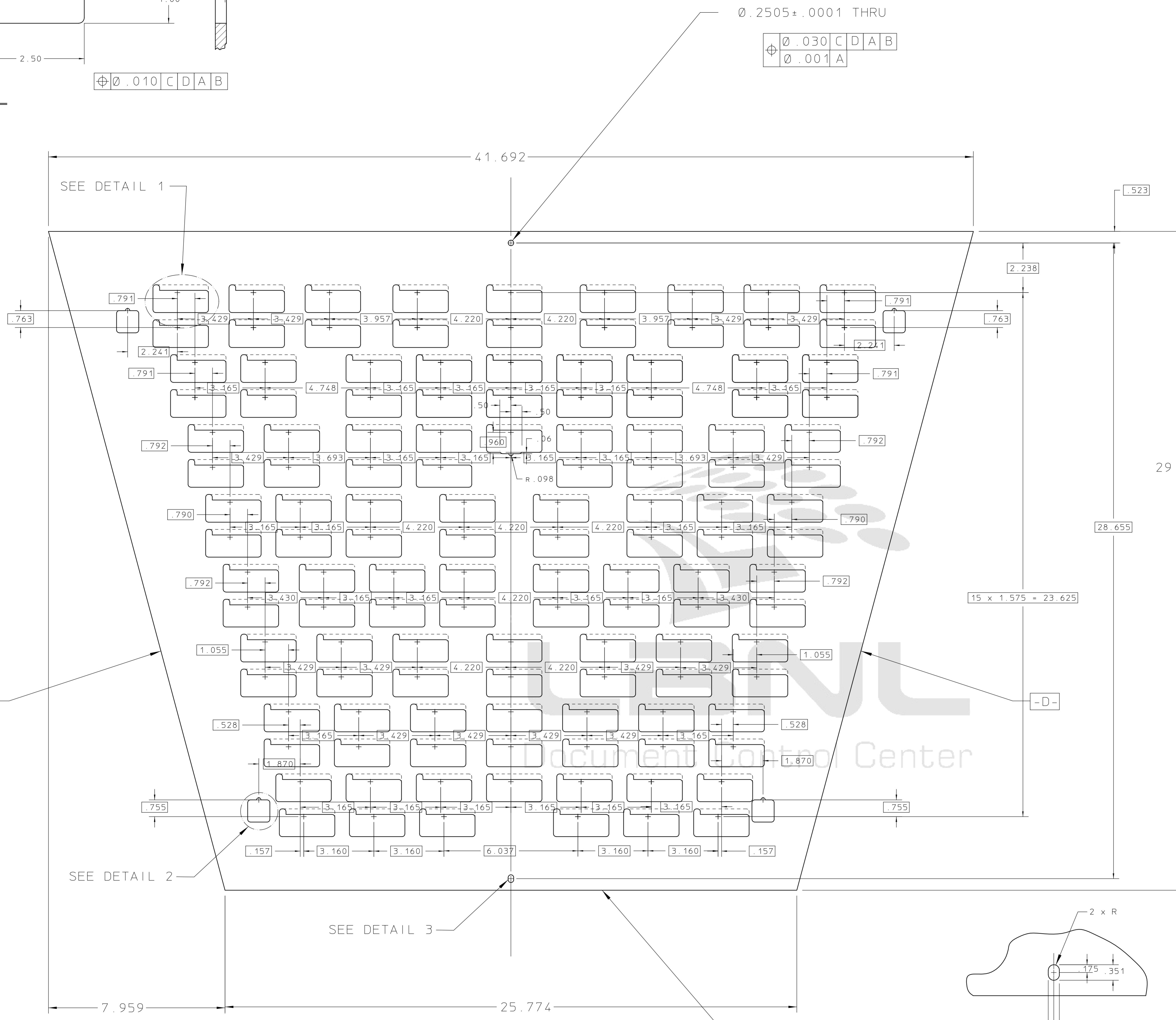


8 7 6 5 4 3 2 1

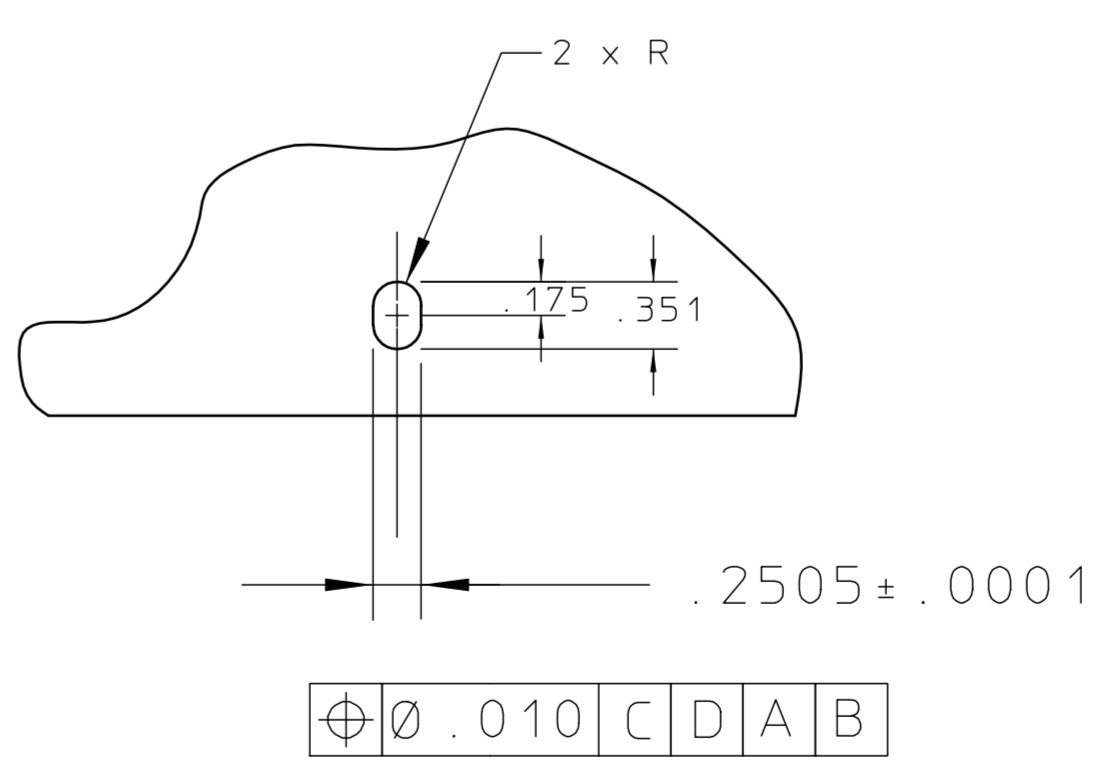
D
C
B
A



Detail 1
SCALE: FULL
126 PLACES



Detail 2
SCALE: FULL
4 PLACES



Detail 3
SCALE: FULL

REV	DWG	CHK	ZONE	DATE	CHANGES

REVISION	DATE	BY	DESCRIPTION

REORDER ITEM	PART NO.	DESCRIPTION
		PLATE, .25 THICK, ALUMINUM, TOOLING
		LAWRENCE BERKELEY LABORATORY
		UNIVERSITY OF CALIFORNIA-BERKELEY
		RHIC-STAR-TPC
		TOOLING, PAD PLANE, OUTER SECTOR
		CONNECTOR PLACEMENT FIXTURE

24A0996A

Officially Released to the LBNL Document Control Center
Released: June 14th, 1993. DCC Auth Key: L6E03R3PPL