

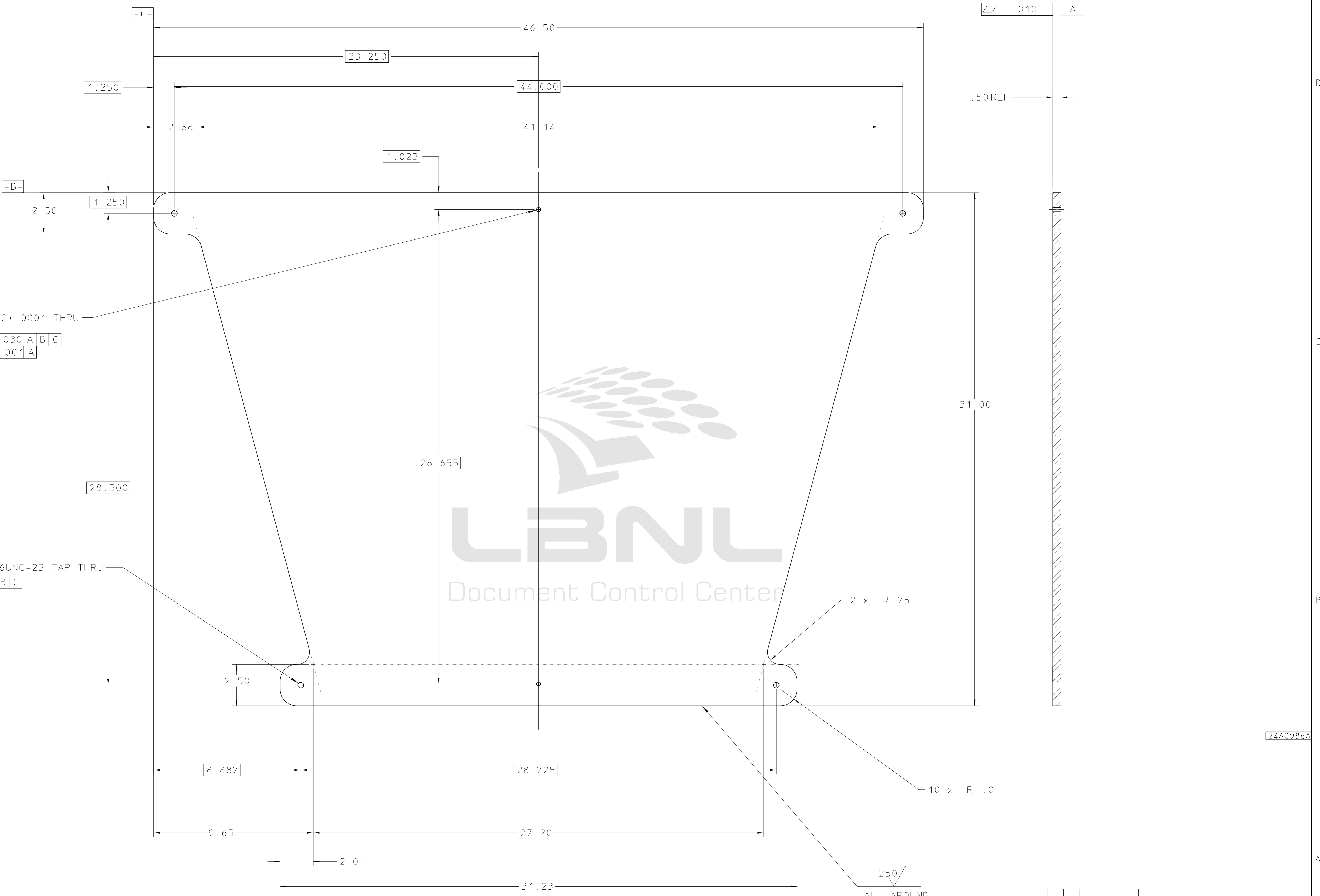
8 7 6 5 4 3 2 1

D

C

B

A



2 x Ø.2492±.0001 THRU

⊕	Ø .030	A	B	C
⊕	Ø .001	A		

4 x .375-16UNC-2B TAP THRU

⊕	Ø .050	A	B	C
---	--------	---	---	---

REV	DWG	CHK	ZONE	DATE	CHANGES	UNLESS OTHERWISE SPECIFIED	REVISIONS	ACCT. NO.	SERIAL NO.	DATE	DATE	NO.	NO.	DESCRIPTION
						SEAMERES	XX ± .02	FRAC. ± 1/64	DATE	DATE	NO.	NO.		LAWRENCE BERKELEY LABORATORY
						SEAMERES	XXX ± .005	FINISH 125/7	DATE	DATE	NO.	NO.		UNIVERSITY OF CALIFORNIA-BERKELEY
						SEAMERES			DATE	DATE	NO.	NO.		RHIC-STAR-TPC
						SEAMERES			DATE	DATE	NO.	NO.		TOOLING, PAD PLANE, OUTER SECTOR
						SEAMERES			DATE	DATE	NO.	NO.		PLATE, BASE
						SEAMERES			DATE	DATE	NO.	NO.		
						SEAMERES			DATE	DATE	NO.	NO.		
						SEAMERES			DATE	DATE	NO.	NO.		
						SEAMERES			DATE	DATE	NO.	NO.		