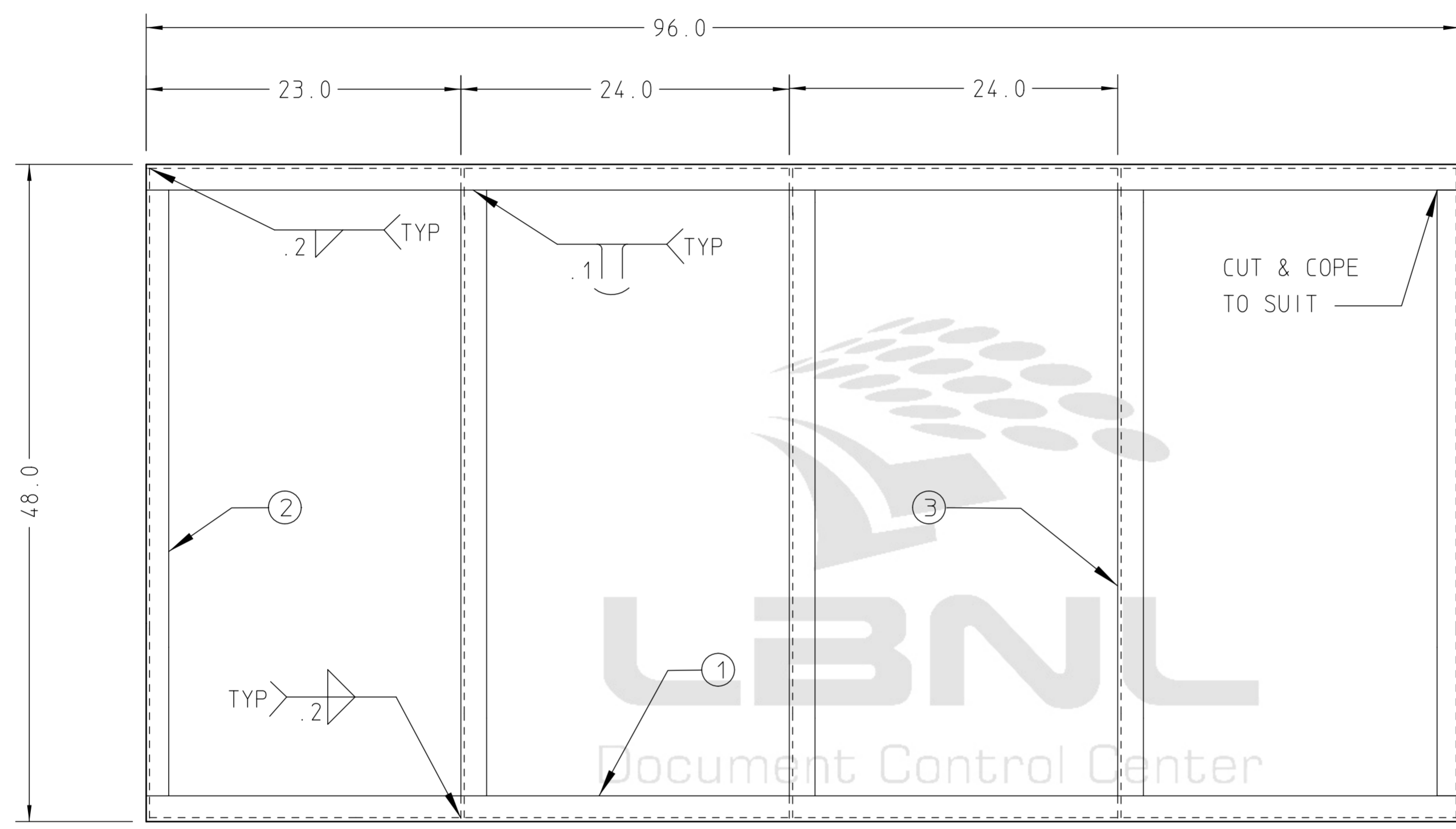


REQ	ITEM	PART NUMBER	DESCRIPTION
2	1		ALUM CHANNEL 6061-T6 4.0" X 1.647" X 2.16 LB/FT
2	2		" " 6061-T6 4.0" X 1.647" X 2.16 LB/FT
3	3		" " 6061-T6 4.0" X 1.647" X 2.16 LB/FT



24A0613

					UNLESS OTHERWISE SPECIFIED		SHOP ORDERS			LAWRENCE BERKELEY LABORATORY								
					TOLERANCES					UNIVERSITY OF CALIFORNIA-BERKELEY								
					.X ± .2		ACCT. NO.			RHIC-STAR-TPC								
					.XX ±		DATE ISSD			OUTER SECTOR								
					.XXX ±		DELIVER TO			WINDER PLATFORM SUPPORT FRAME (48 X 96)								
					FINISH 125√		SURFACE TREATMENT			PATENT CLEAR								
					THREADS ARE CLASS 2		IDENT. METH.			DWG. TYPE								
					CHAMFER ENDS OF ALL SCREW THREADS 30°		BY R. CAYLOR			D								
					CUT 1.5 PITCH THRO RELIEF WITH ROUND NOSE TOOL		DATE 3-22-93			SHOWN ON								
					ON MACHINE CUT THREADS.		DATE			24A0676								
					BREAK EDGES .016 MAX. ON MACHINED WORK		DATE			SCALE 1:8								
					REMOVE BURRS WELD SPLATTER & LOOSE SCALE		DATE			DO NOT SCALE PRINTS								
					REFERENCES: ANSI Y14.5 & B46.1.		DATE			DWG. NO. 24A0613								
REV   DWG   CHK   ZONE   DATE					CHANGES					MICROFILMED			DESIGN ACCT. NO. 8052-24		CATEGORY CODE SR-04-02		SIZE	REV.

Officially Released to the LBNL Document Control Center  
Released: DCC Auth Key: SK98THGCRYU