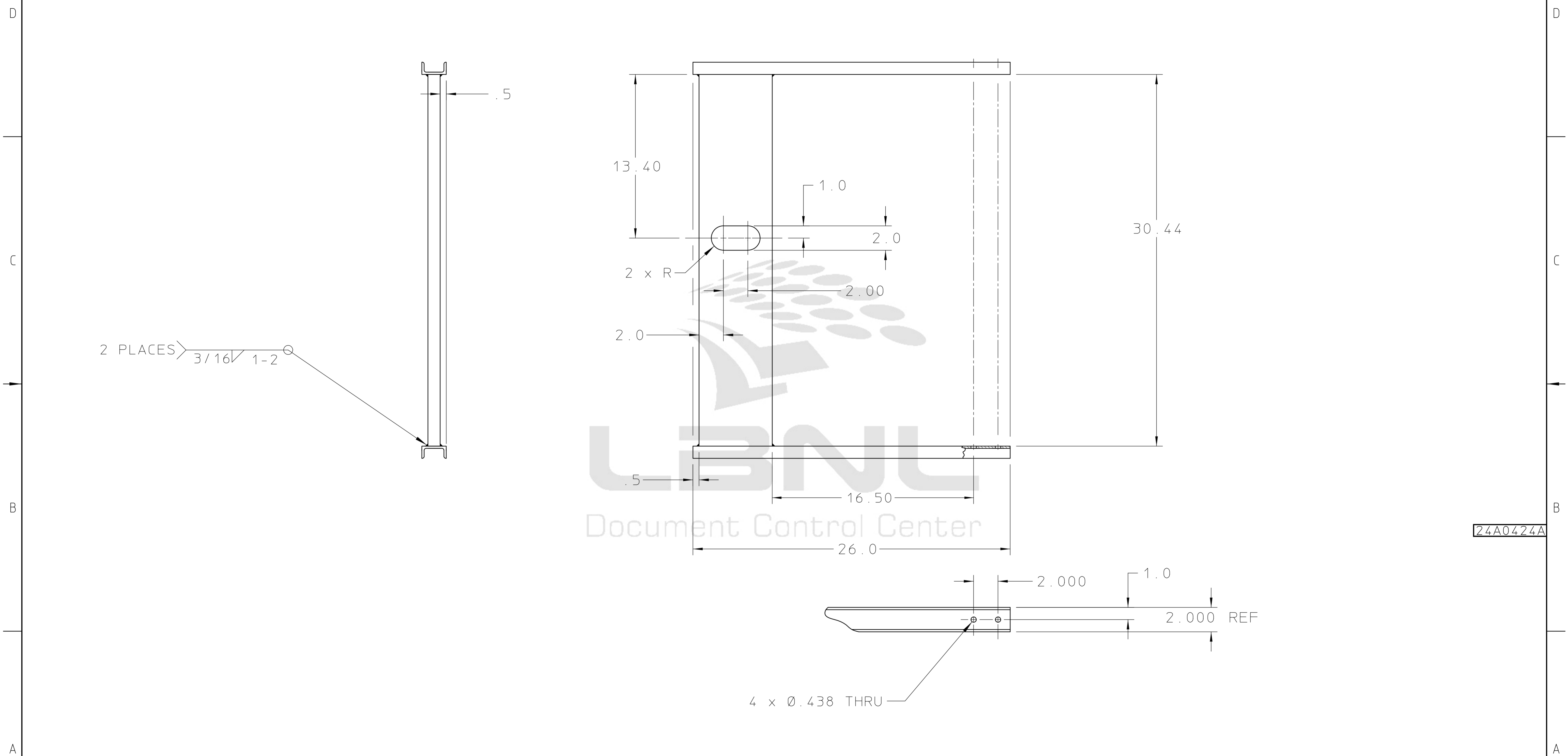


REQ	ITEM	PART NUMBER	DESCRIPTION
1	1		CHANNEL, 2.0" x 1.78lbs/ft, (1.0" SIDES x .188" WEBS), STEEL
2	2		BAR, RECT. 1.0" x 6.0", C.R.S.



24A0424A

UNLESS OTHERWISE SPECIFIED				SHOP ORDERS			LAWRENCE BERKELEY LABORATORY								
TOLERANCES		.X ± .1		FRAC. ± 1/64		ACCT. NO.	SERIAL NO.		UNIVERSITY OF CALIFORNIA-BERKELEY						
.XX ± .02		ANGLES ± 1°		DATE ISSD	DATE RECD.	NO. RECD.	RHIC-STAR-TPC								
.XXX ± .005		FINISH 125		DELIVER TO		SECTOR TOOLING									
THREADS ARE CLASS 2				SURFACE TREATMENT			PAINT LBL BLUE			INNER SECTOR SPREADER BAR					
CHAMFER ENDS OF ALL SCREW THREADS 30°				IDENT. METH.			STL STMP & HI			PATENT CLEAR	DWG. TYPE	SHOWN ON	SCALE	DO NOT SCALE PRINTS	
CUT 1.5 PITCH THRO RELIEF WITH ROUND NOSE TOOL ON MACHINE CUT THREADS.				BY			DATE			ASSEMBLY	00X0000	1:4			
A	JB	93-04-06	CHANGED TOLERANCES	DWG. J. BOEHM			DATE 93-03-10			MICROFILMED	DESIGN ACCT. NO.	CATEGORY CODE	DWG. NO.	SIZE	REV.
REV	DWG	CHK	ZONE	DATE	CHANGES			REMOVE BURRS WELD SPLATTER & LOOSE SCALE			8052-24	SR-02-04	24A0424	A	
				REFERENCES: ANSI Y14.5 & B46.1.			CHK: J. BERCOVITZ			DATE 93-03-10					