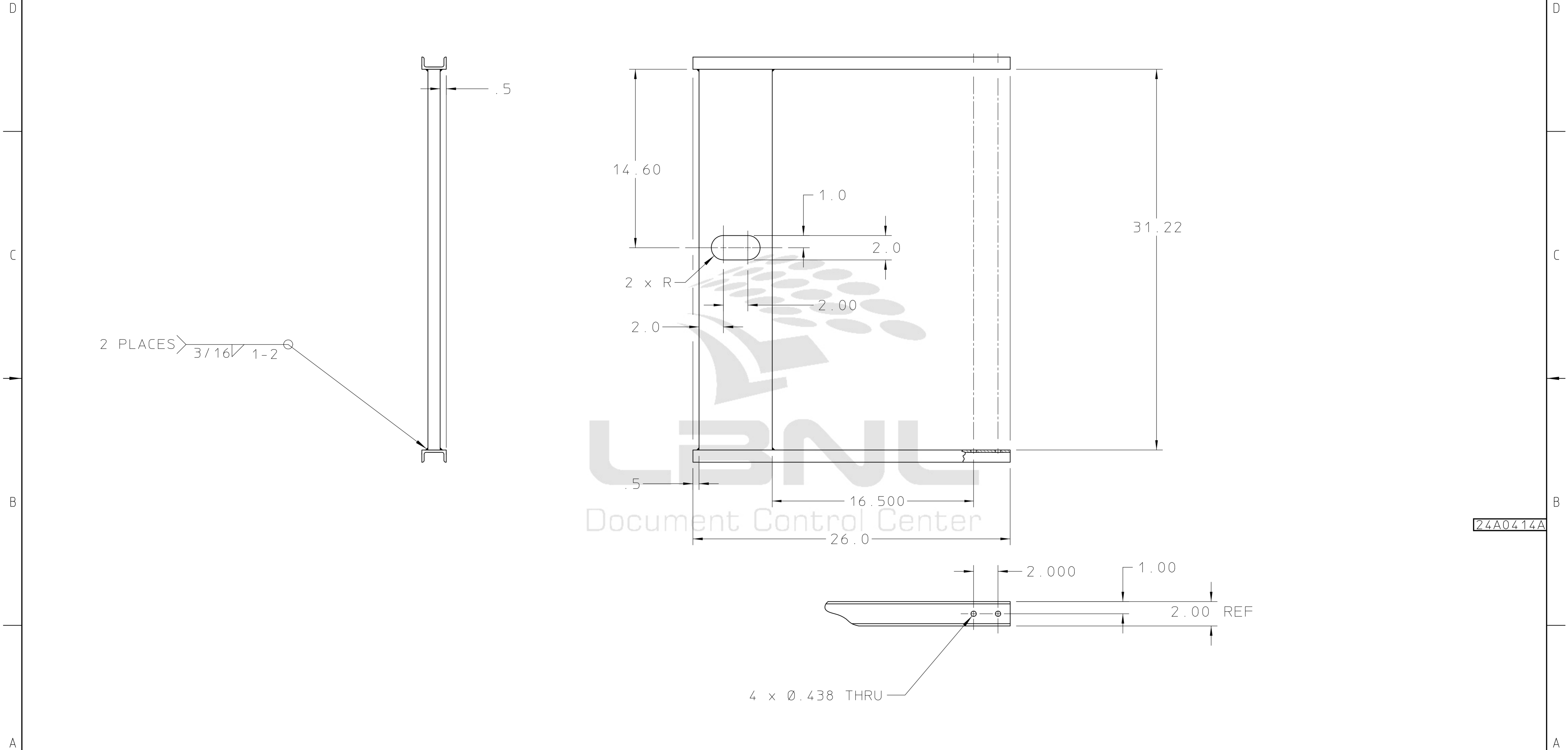


REQ	ITEM	PART NUMBER	DESCRIPTION
1	1		CHANNEL, 2.0" x 1.78lbs/ft, (1.0" SIDES x .188" WEBS), STEEL
2	2		BAR, RECT. 1.0" x 6.0", C.R.S.



24A0414A

UNLESS OTHERWISE SPECIFIED				SHOP ORDERS			LAWRENCE BERKELEY LABORATORY									
TOLERANCES		.X ± .1		FRAC. ± 1/64		ACCT. NO.	SERIAL NO.		UNIVERSITY OF CALIFORNIA-BERKELEY							
		.XX ± .02		ANGLES ± 1°		DATE ISSD	DATE RECD.	NO. RECD.	RHIC-STAR-TPC							
		.XXX ± .005		FINISH 125/7		DELIVER TO		SECTOR TOOLING								
THREADS ARE CLASS 2						SURFACE TREATMENT		PAINT LBL BLUE								
CHAMFER ENDS OF ALL SCREW THREADS 30°						IDENT. METH.		STL STMP ± HI		PATENT CLEAR		DWG. TYPE	SHOWN ON	SCALE	DO NOT SCALE PRINTS	
CUT 1.5 PITCH THRU RELIEF WITH ROUND NOSE TOOL ON MACHINE CUT THREADS.						BY		DATE		ASSEMBLY		00X0000	1:4			
A	JB	93-04-06	CHANGED TOLERANCES			J. BOEHM		93-03-10		MICROFILMED		DESIGN ACCT. NO.	CATEGORY CODE	DWG. NO.	SIZE	REV.
REV	DWG	CHK	ZONE	DATE	CHANGES			J. BERCOVITZ		DATE		8052-24	SR-02-04	24A0414	A	
BREAK EDGES .016 MAX. ON MACHINED WORK						REMOVE BURRS WELD SPLATTER & LOOSE SCALE		REFERENCES: ANSI Y14.5 & B46.1.								