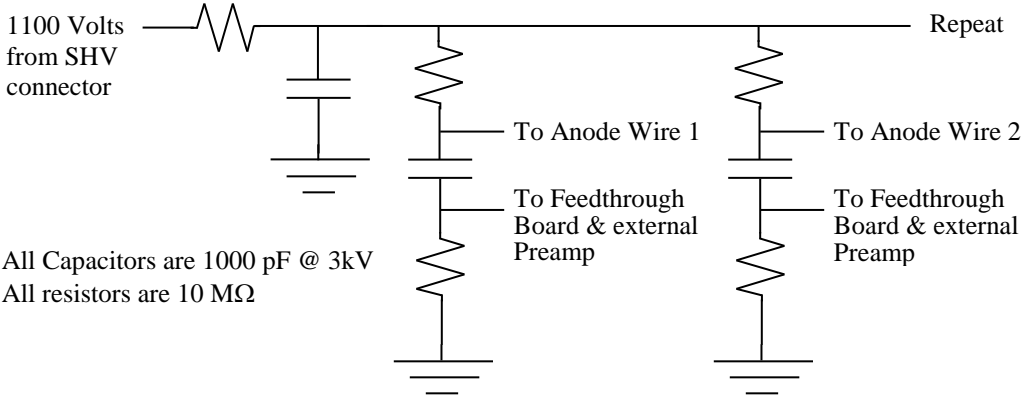


# Conceptual Schematic for the STAR iTPC ABDB Boards



(See Next Page)

