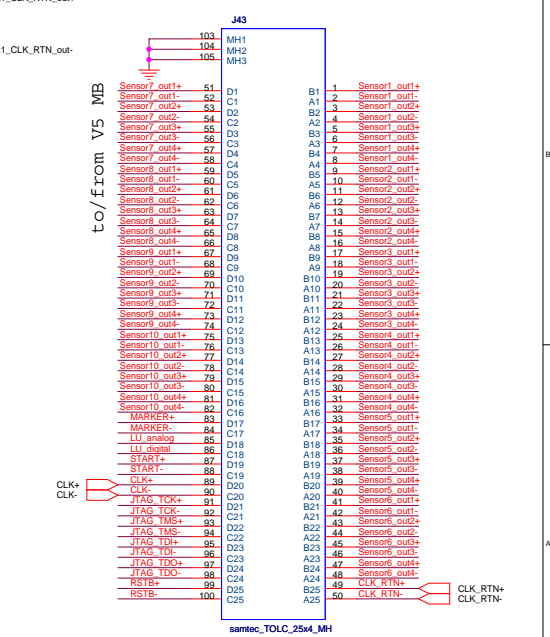
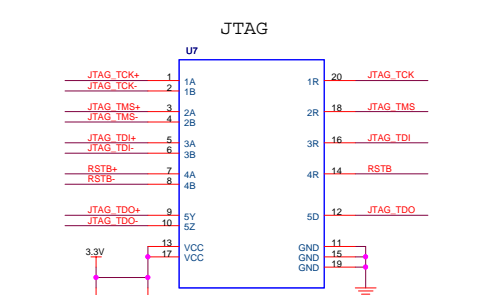
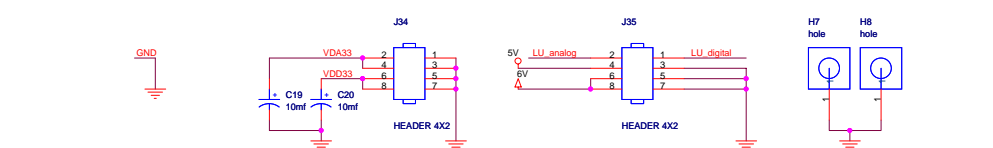
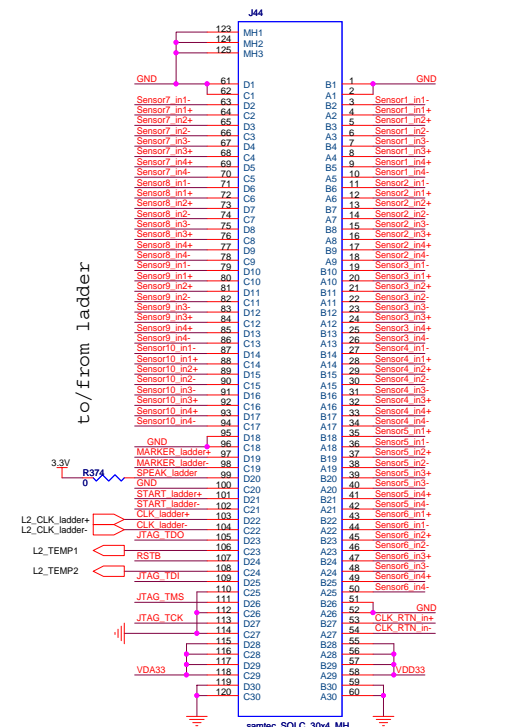
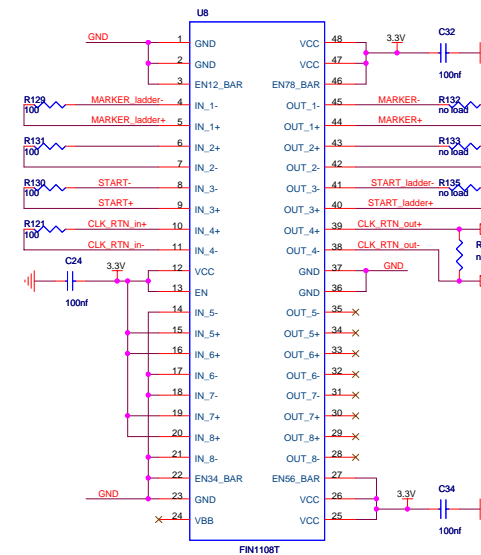
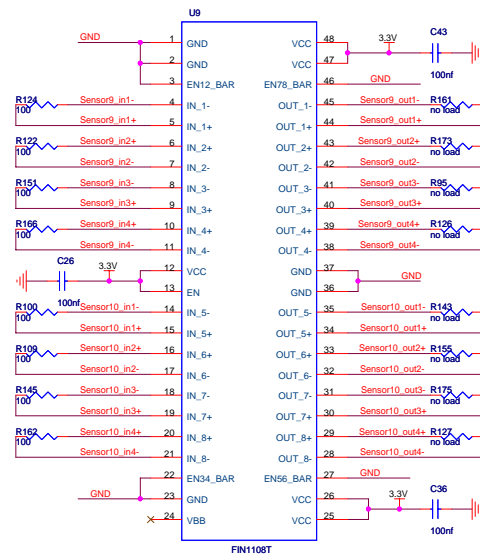
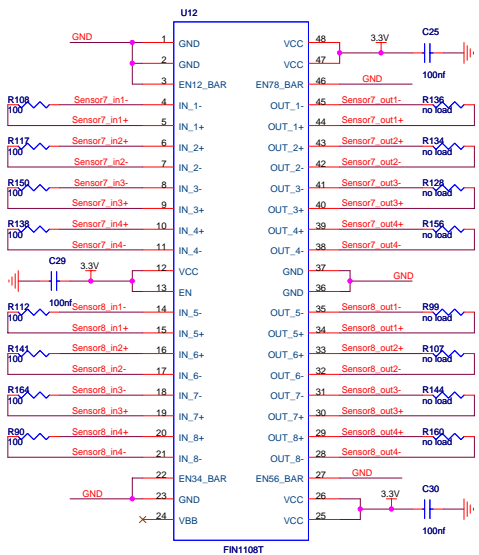
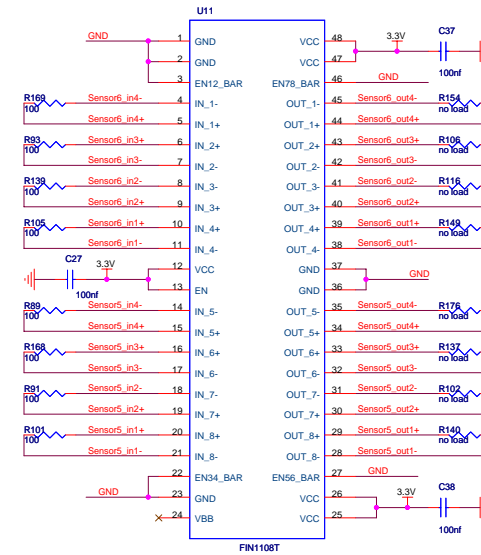
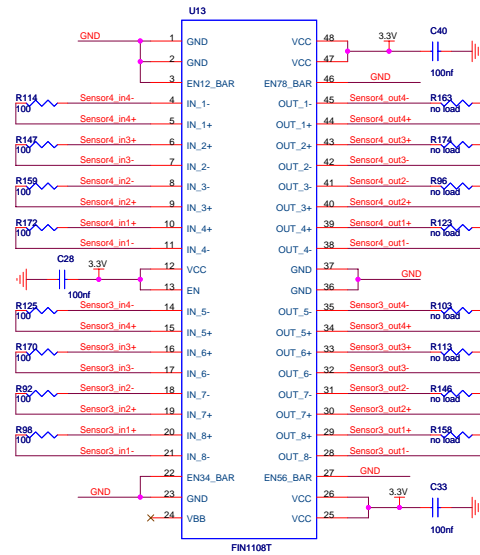
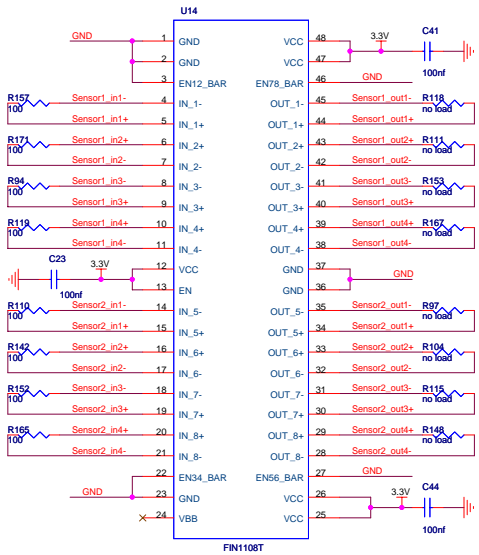


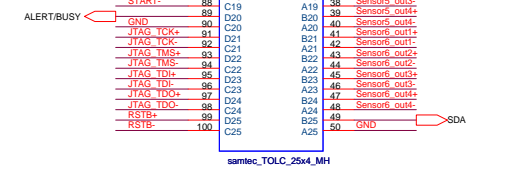
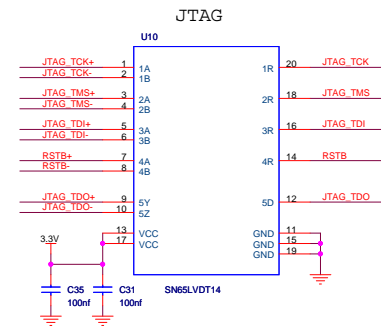
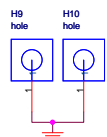
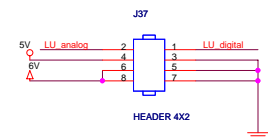
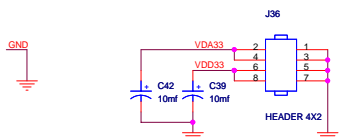
Power and Latch up protection

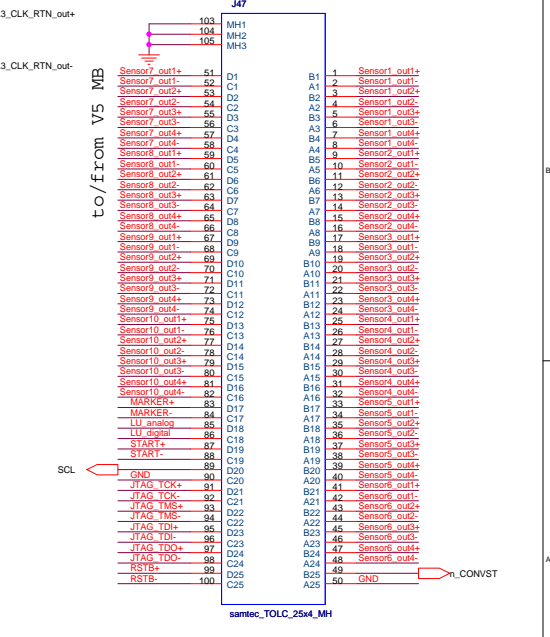
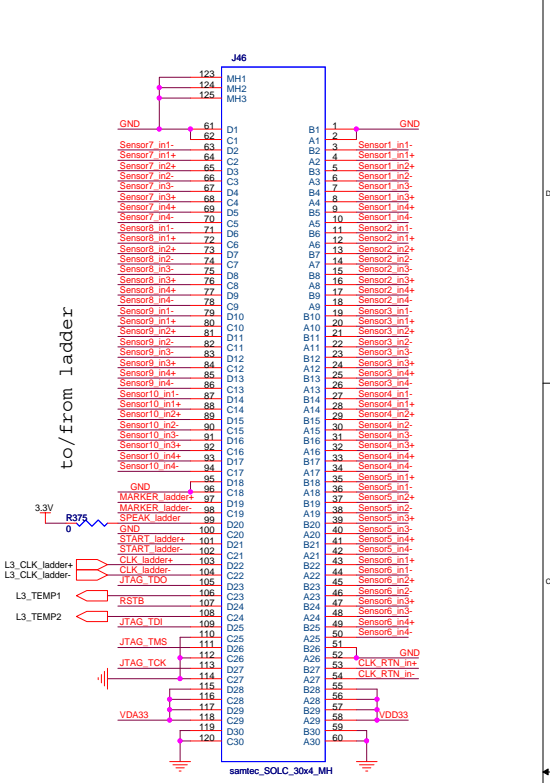
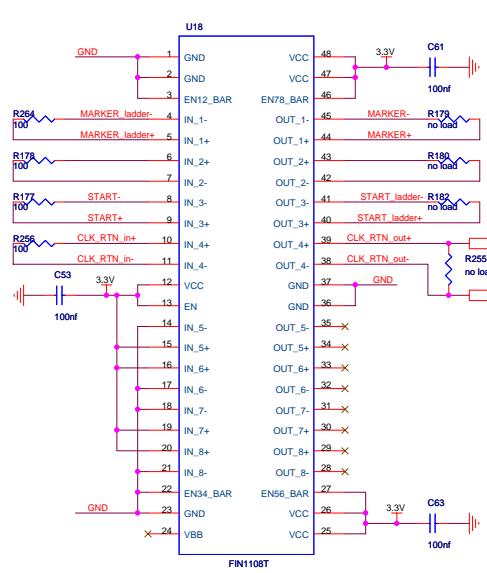
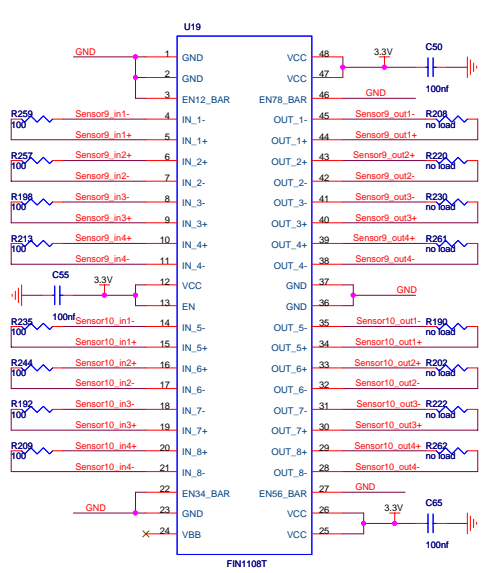
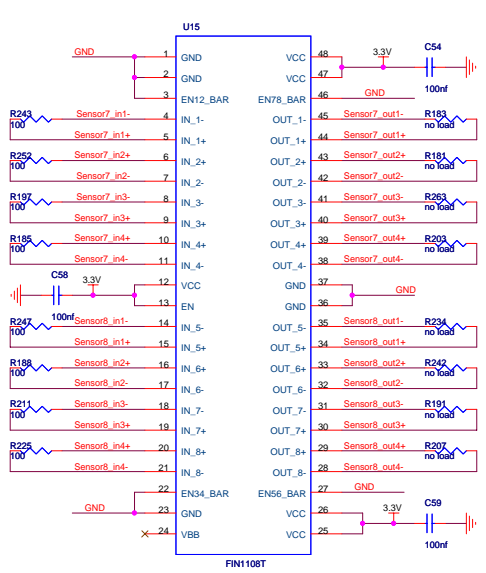
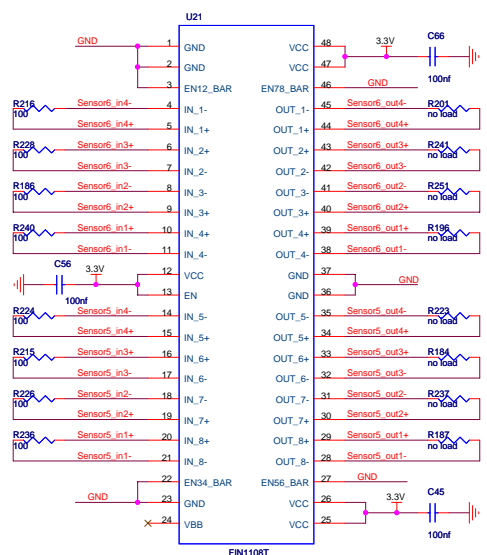
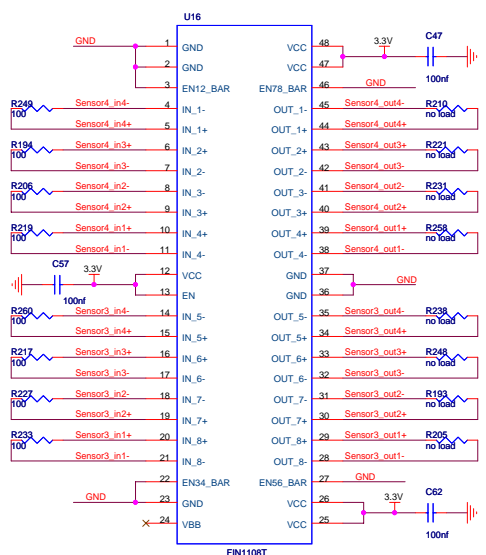
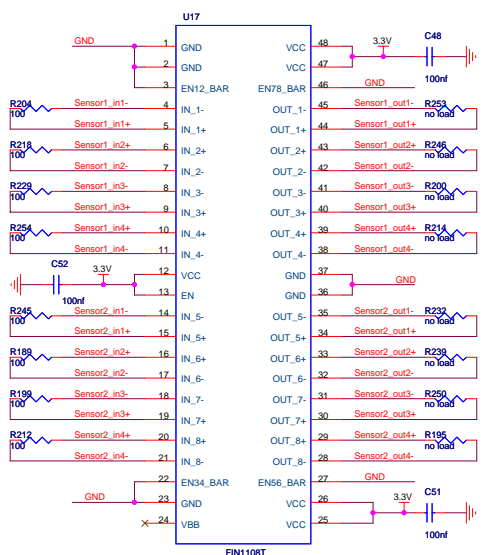


Title		PIXEL PHASE-1 mass termination board - ladder 1	
Size	Document Number	Rev	
Date	Tuesday, July 01, 2008	Sheet	1 of 5

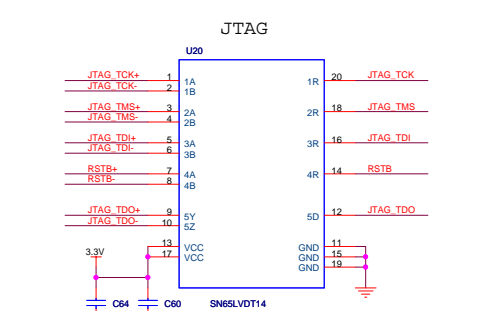
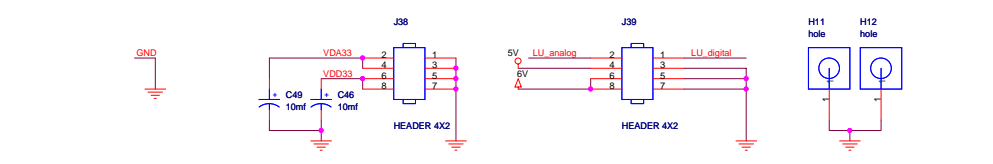


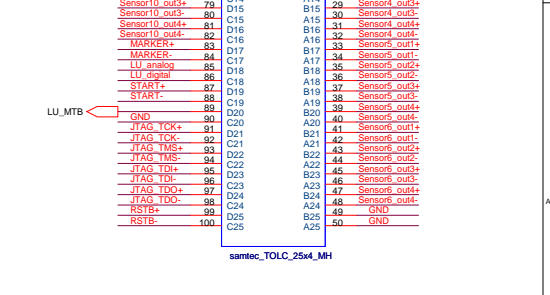
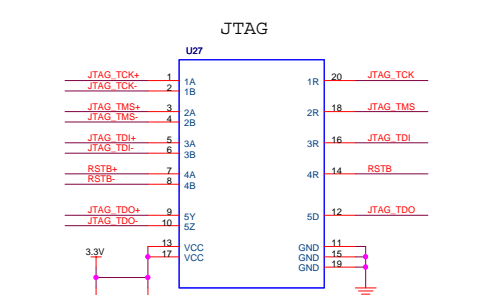
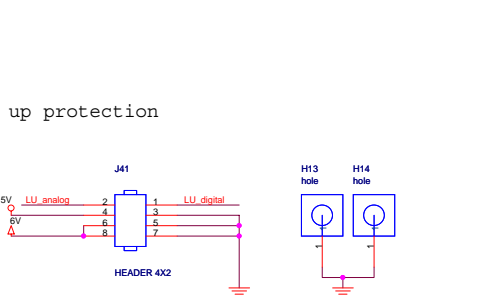
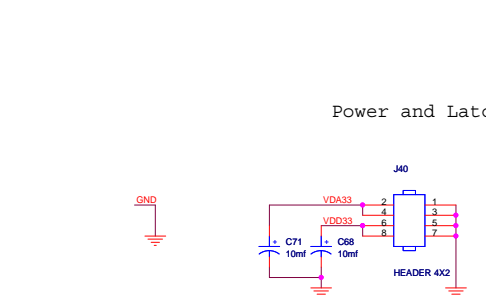
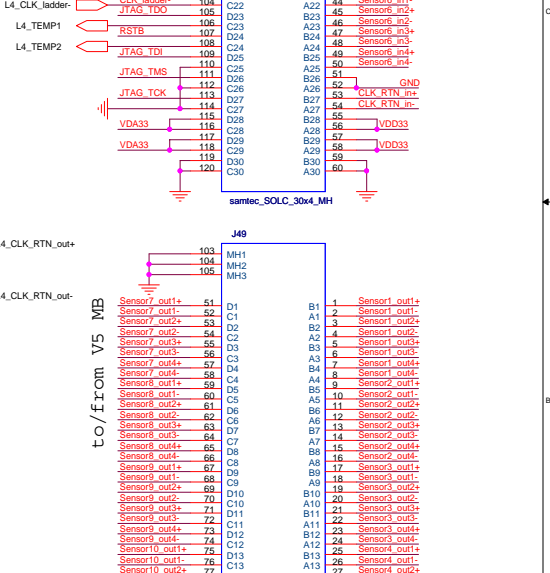
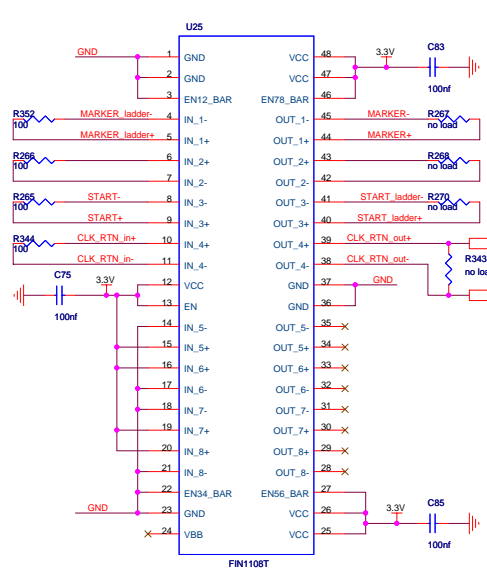
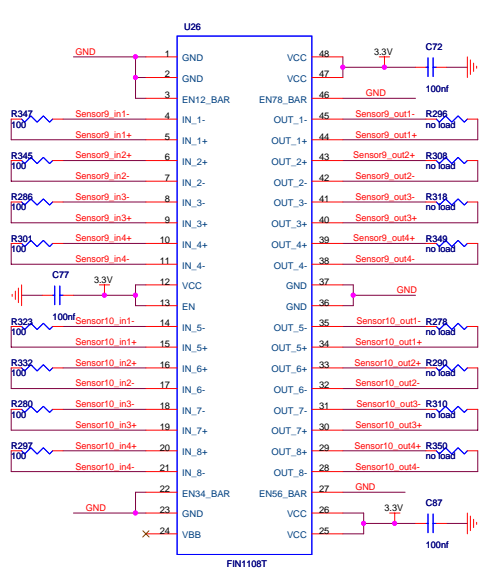
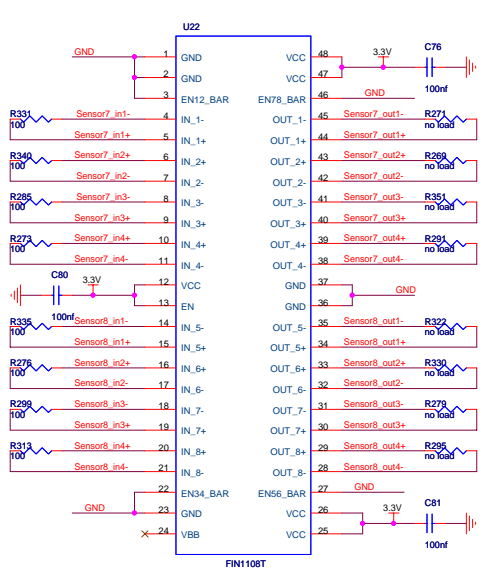
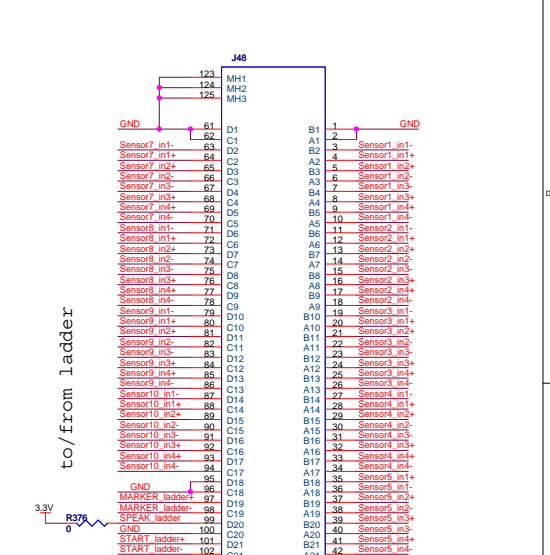
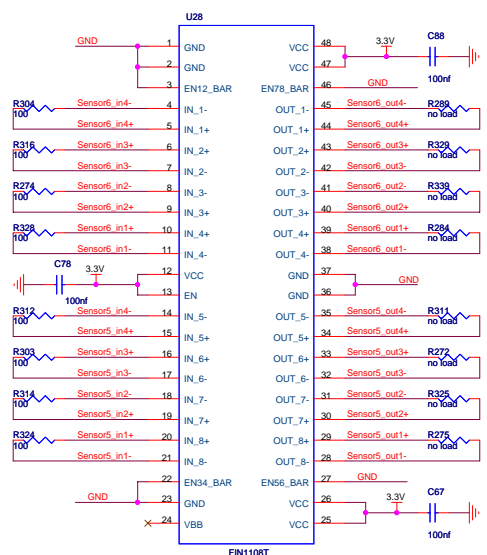
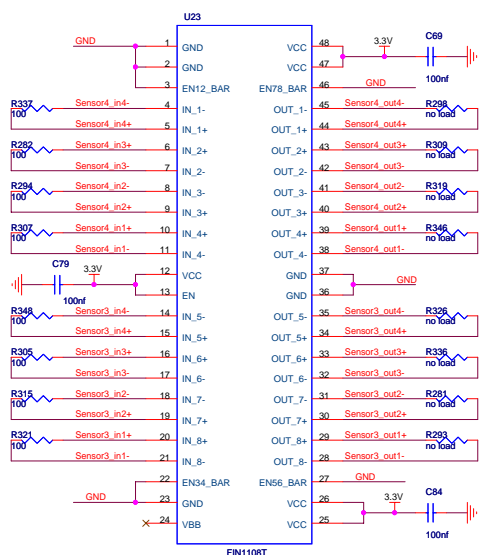
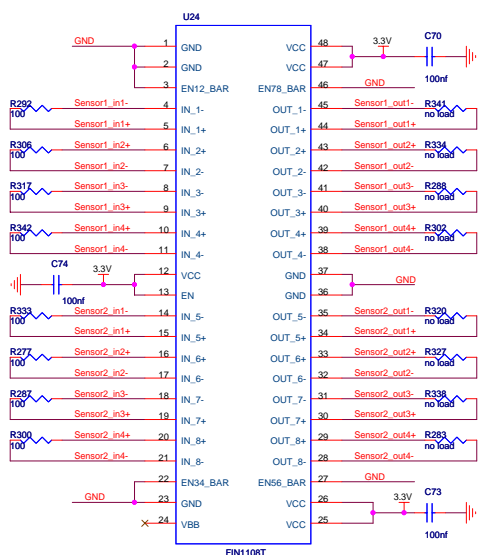
Power and Latch up protection



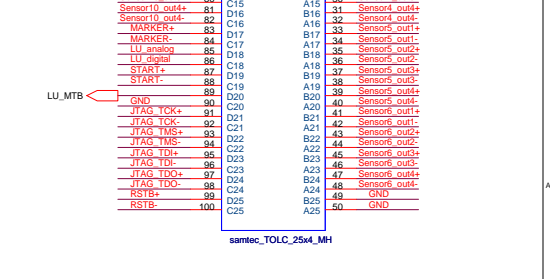
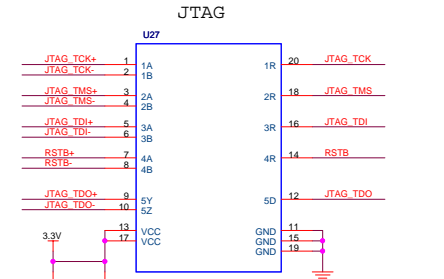


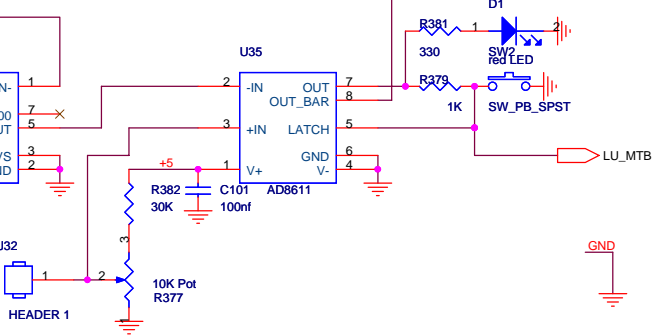
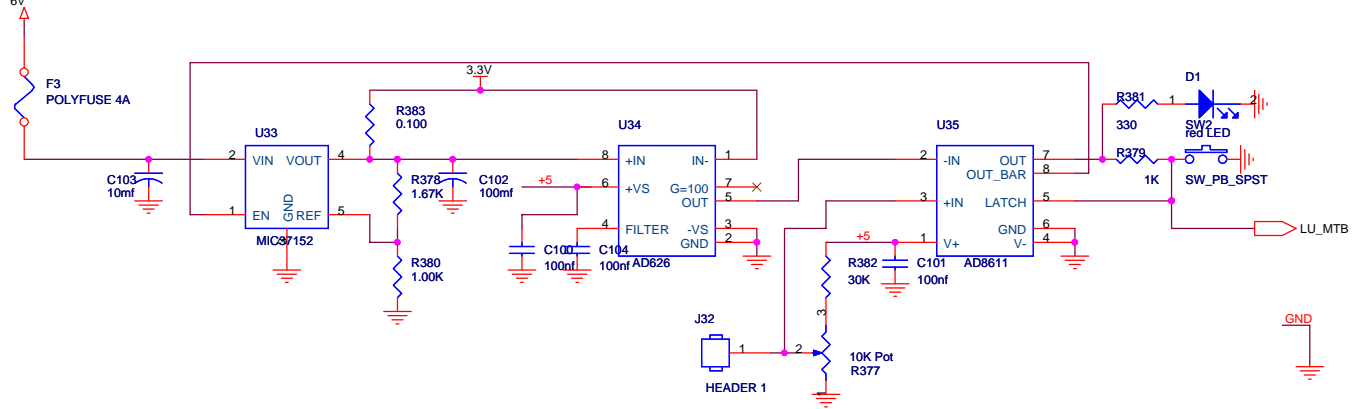
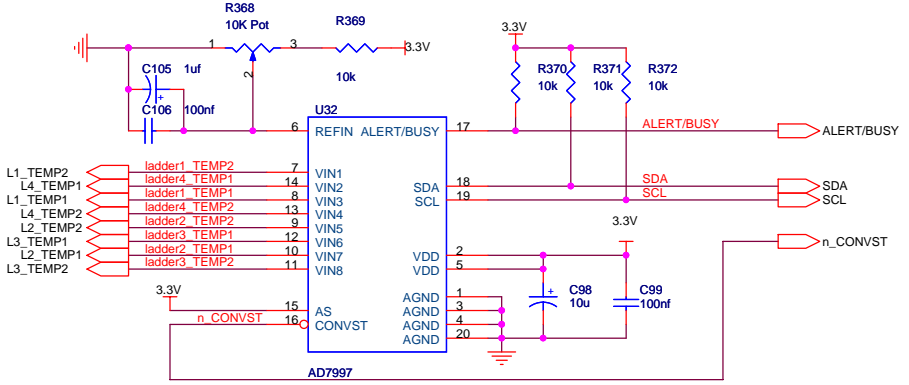
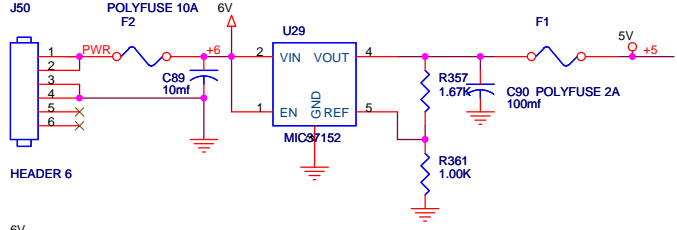
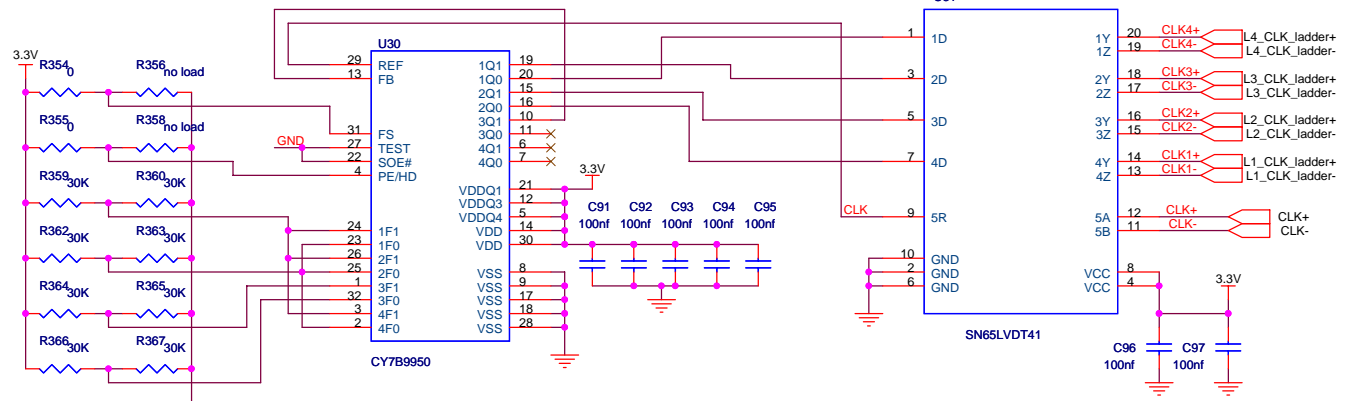
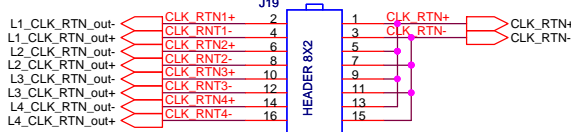
Power and Latch up protection





Power and Latch up protection





Title		PIXEL PHASE-1 mass termination board - clk, power, temp monitor	
Size	Document Number	Rev	
B	<Doc>	<RevCod	
Date:	Tuesday, July 01, 2008	Sheet	5 of 5