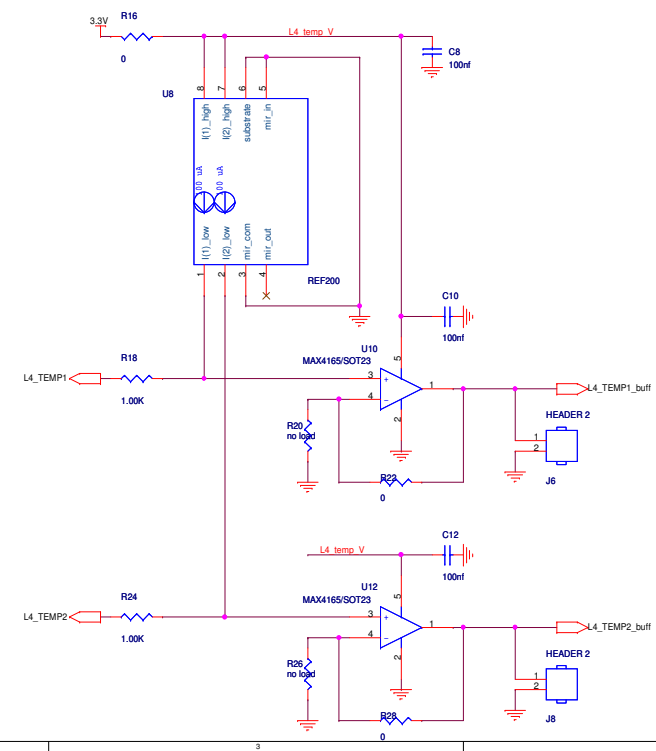
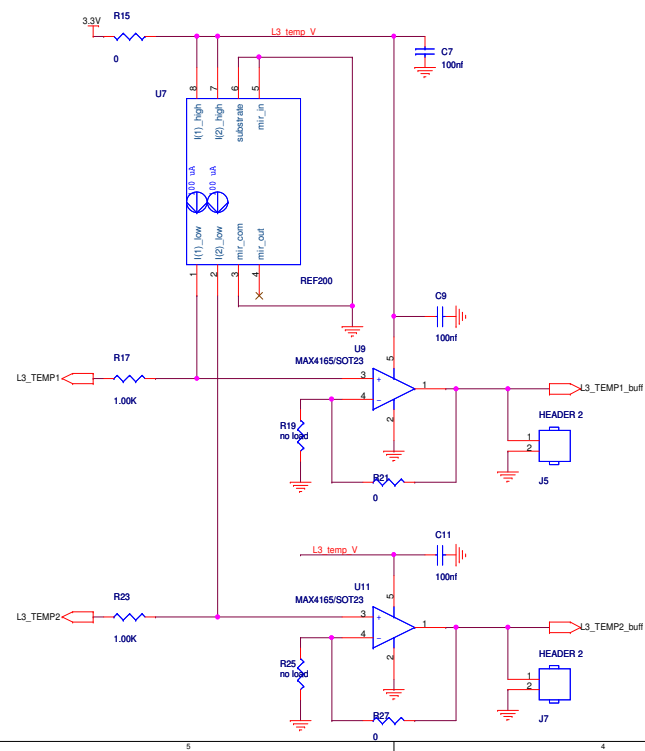
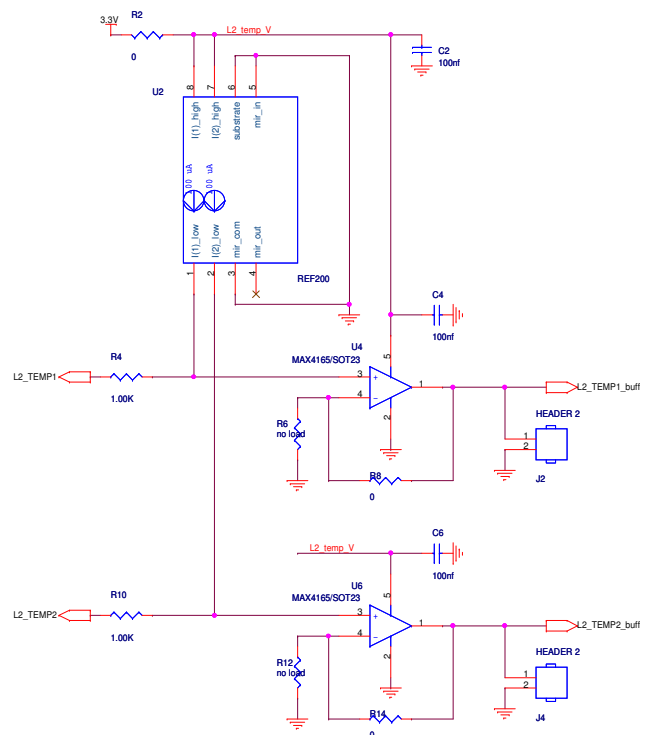
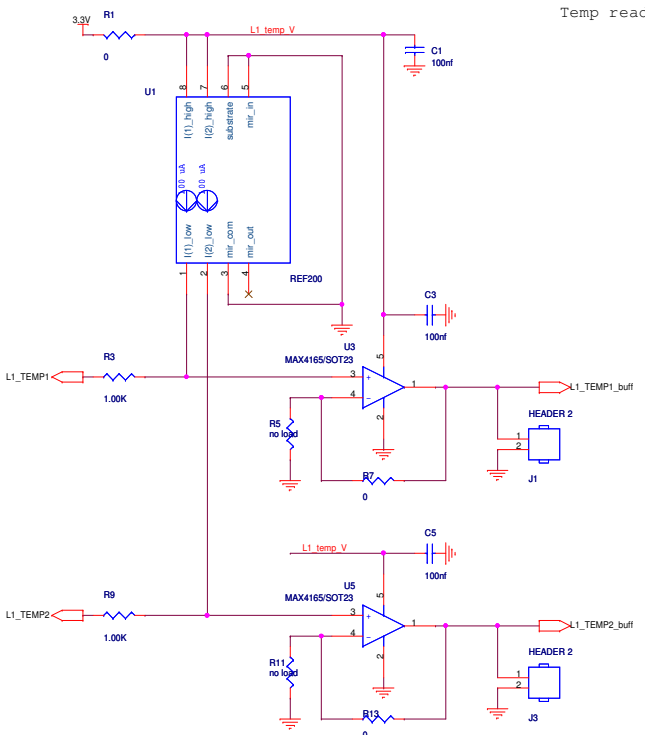
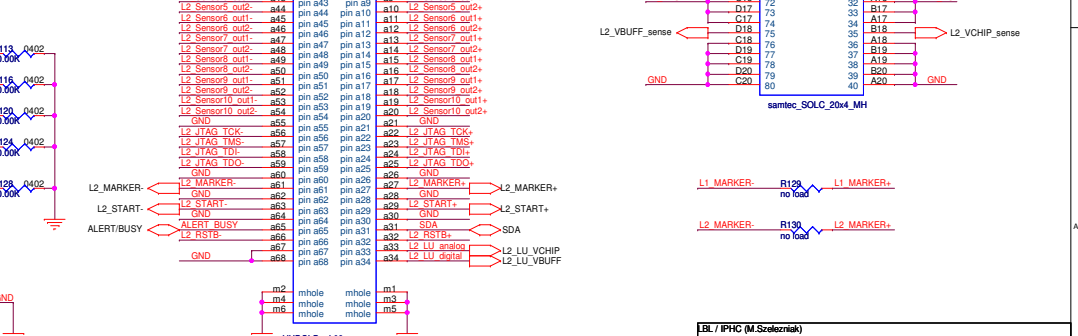
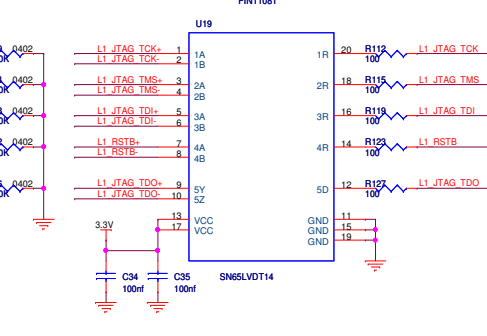
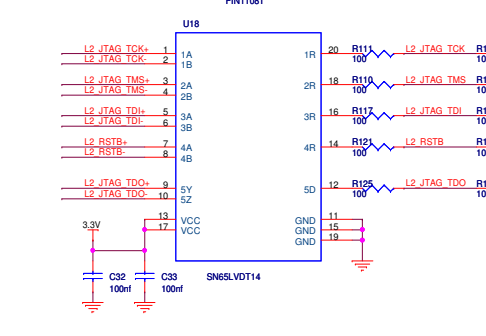
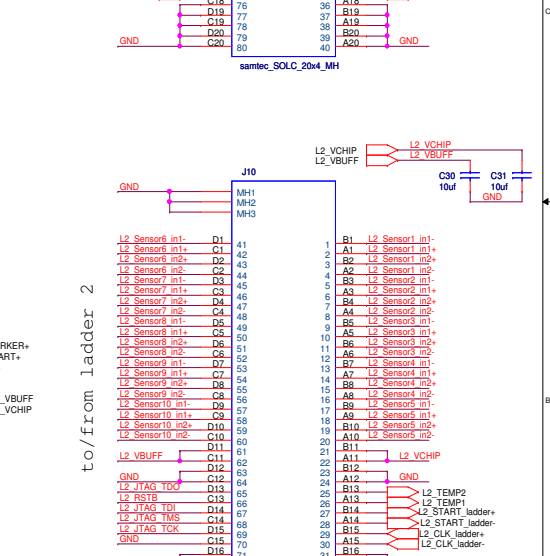
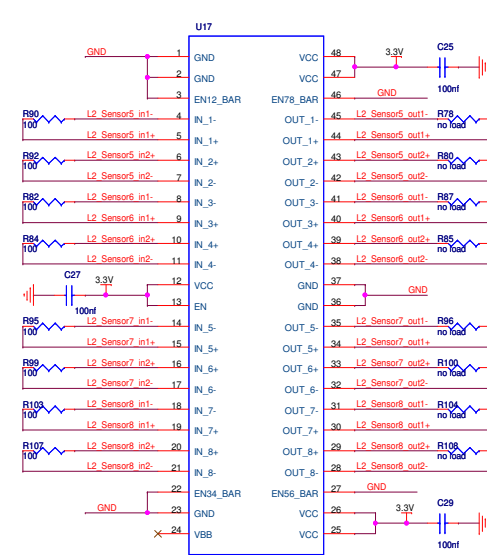
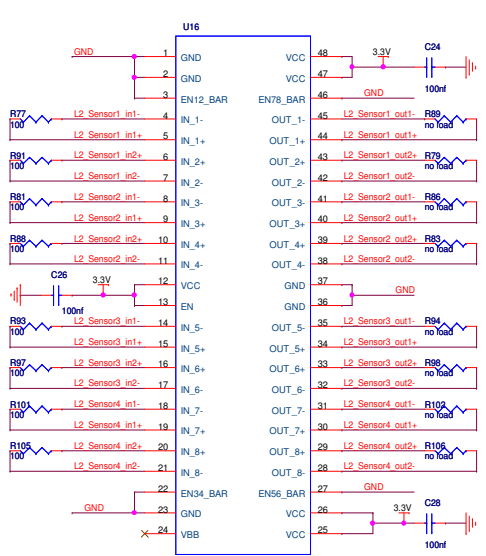
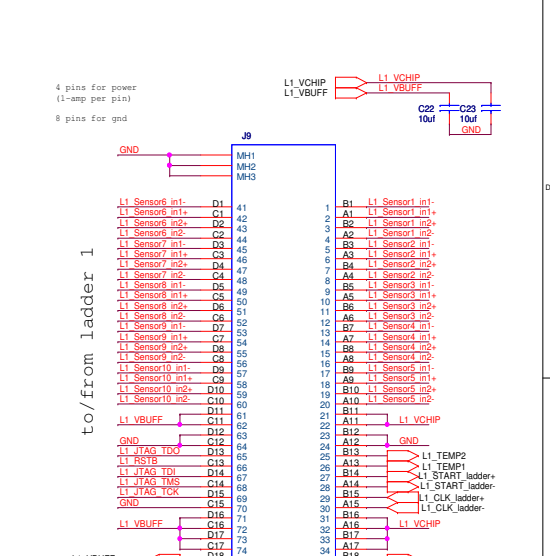
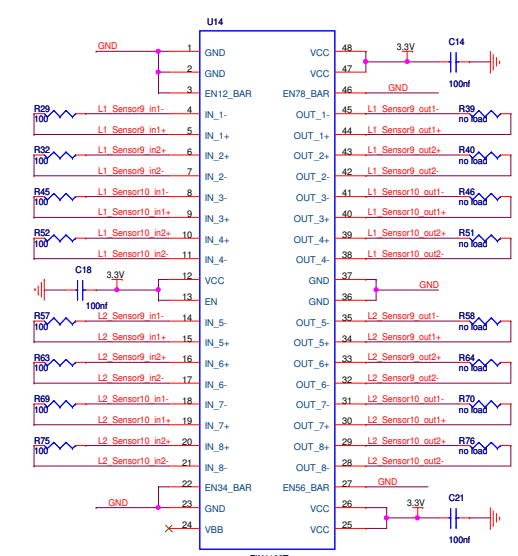
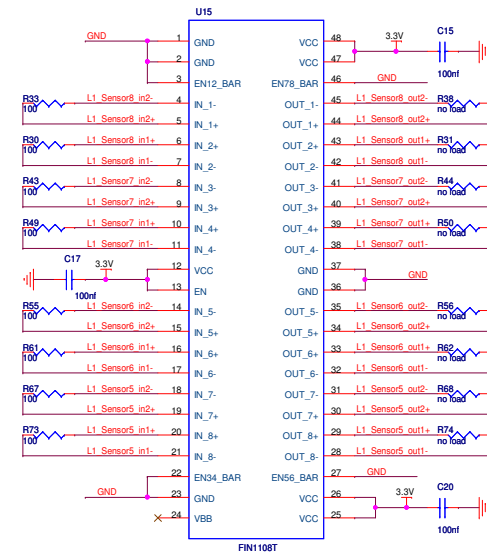
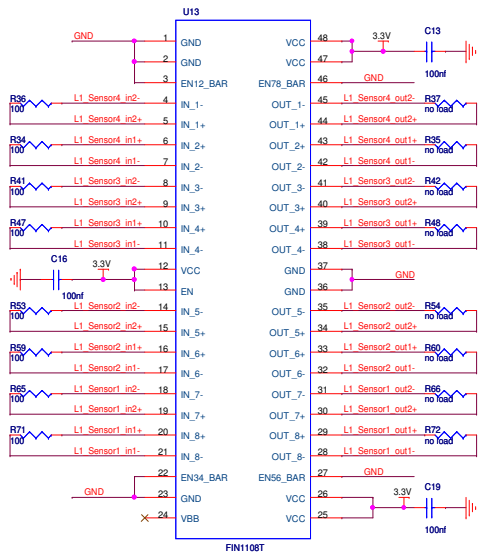


Temp readout

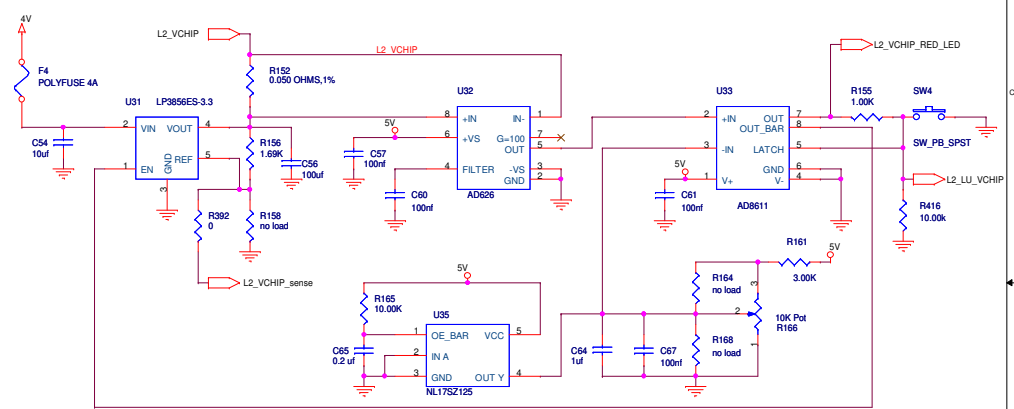
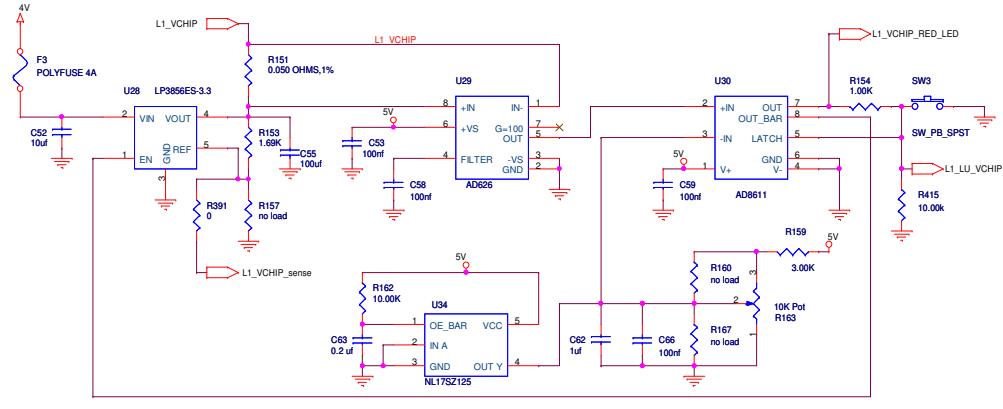
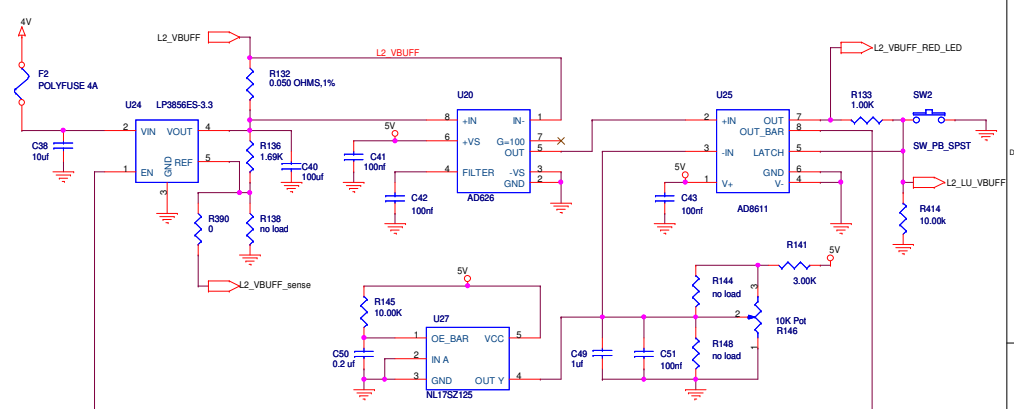
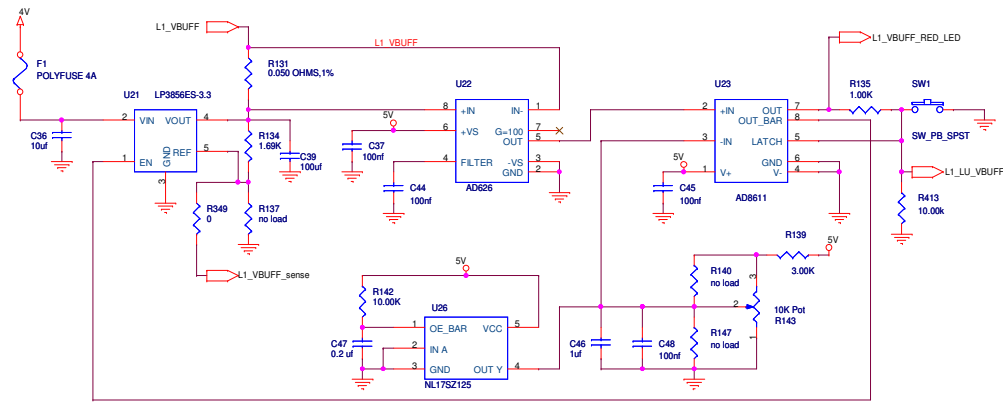


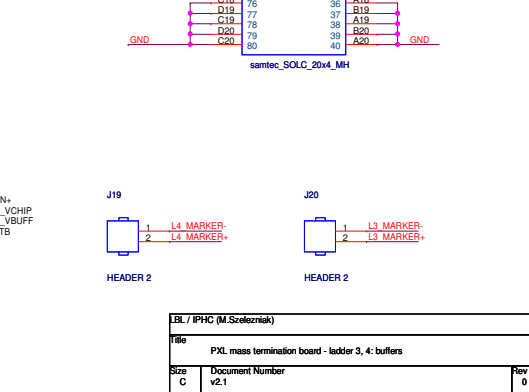
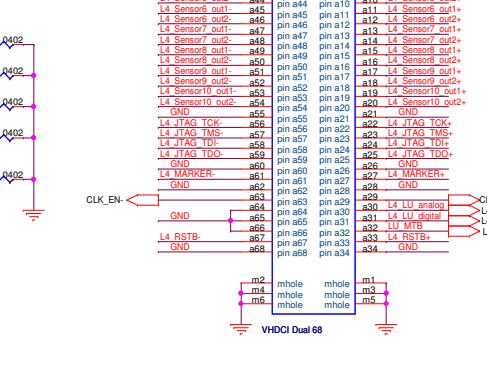
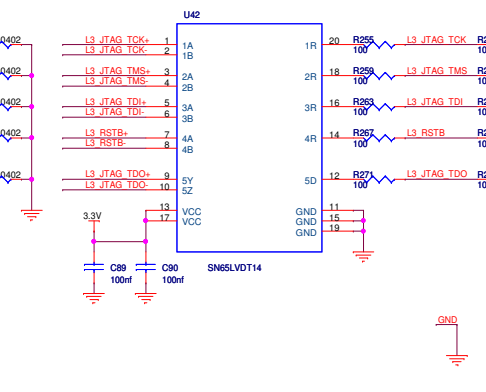
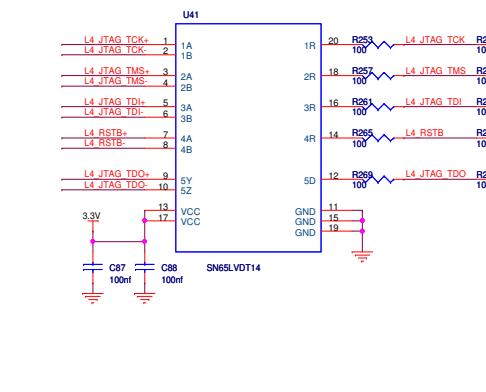
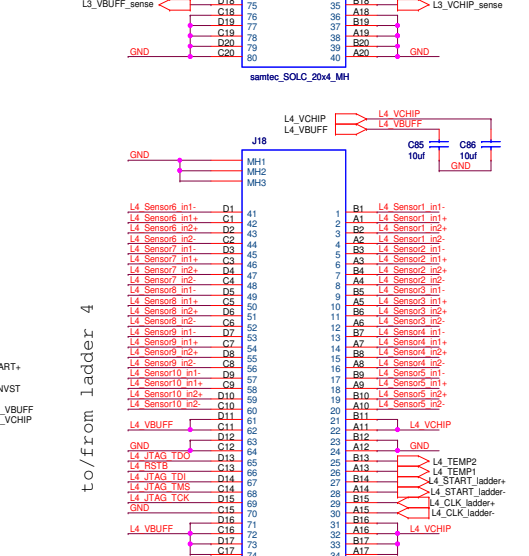
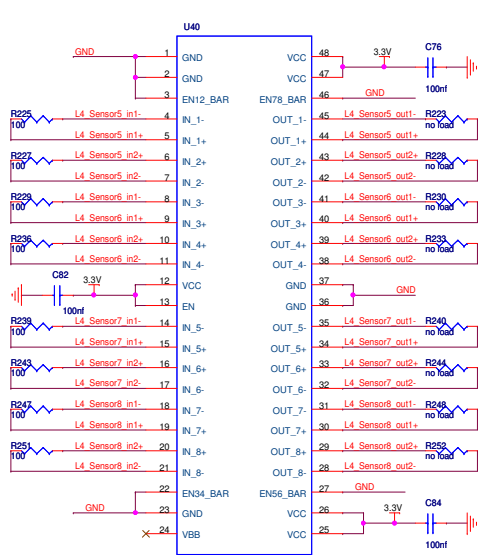
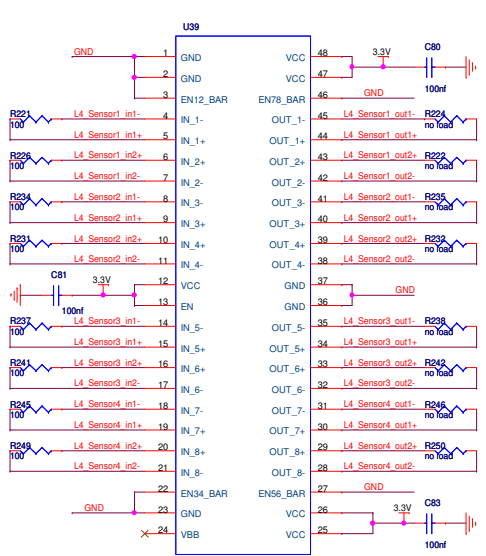
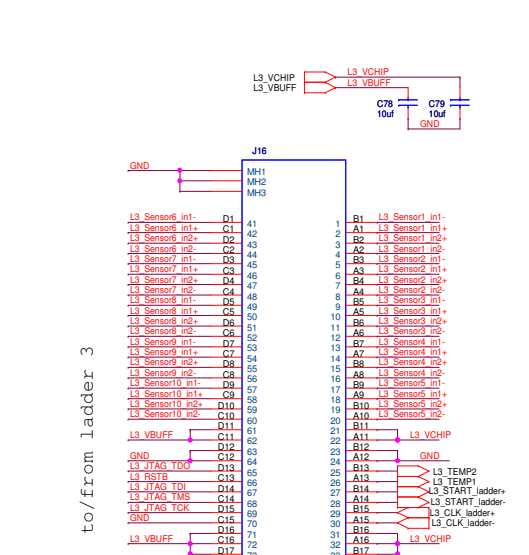
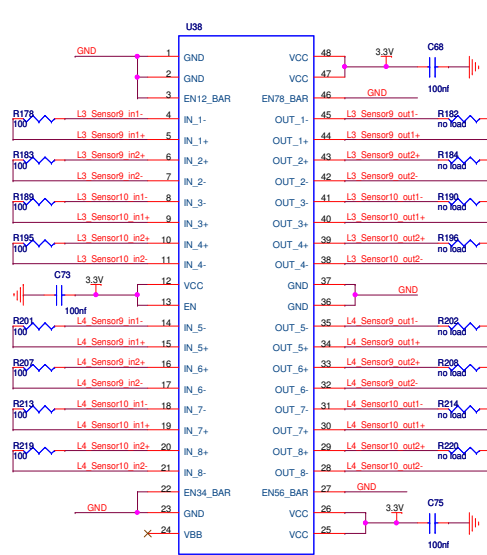
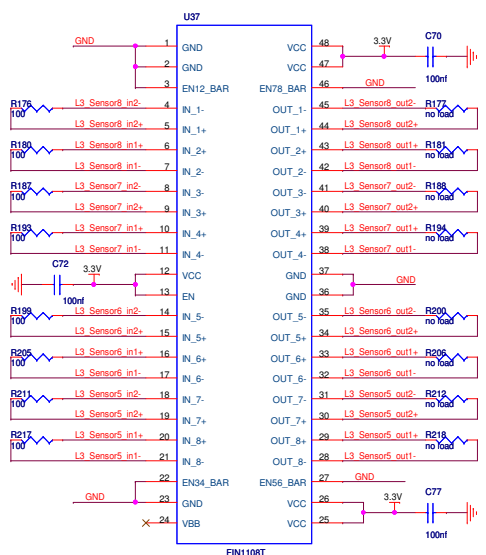
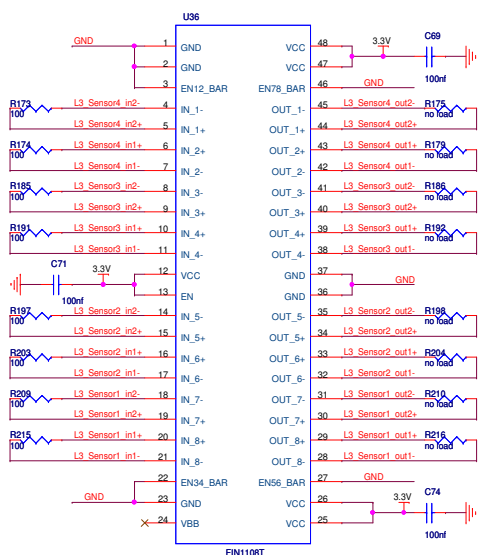
Title	<Title>	
Size	Document Number	Rev
C	<Doc>	0
Date:	Wednesday, January 23, 2013	Sheet 1 of 6

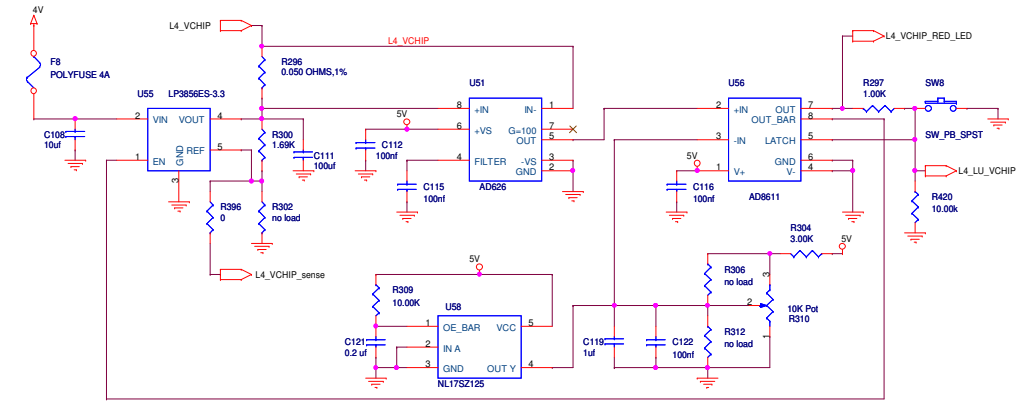
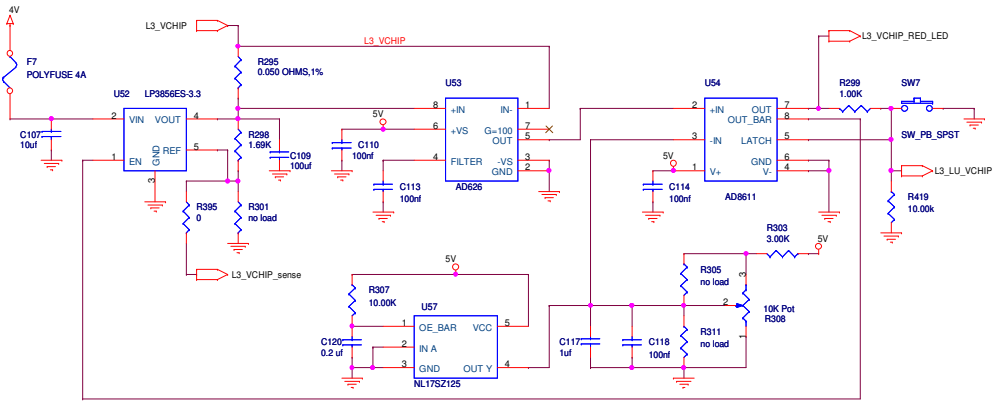
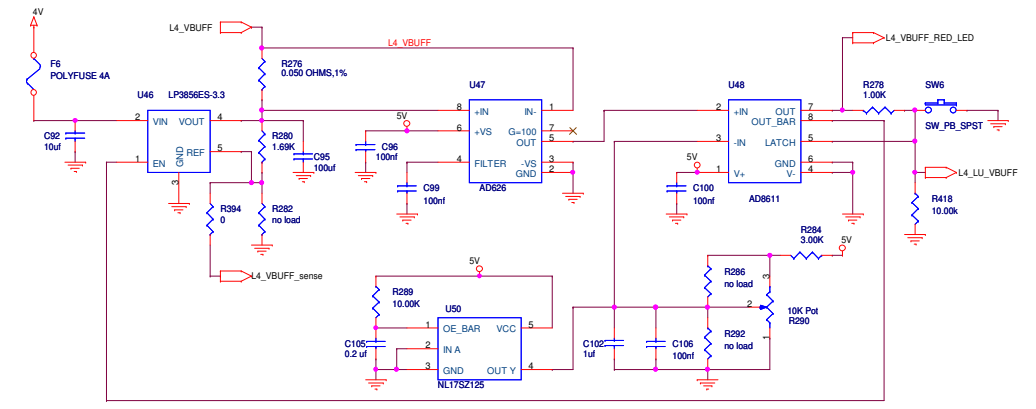
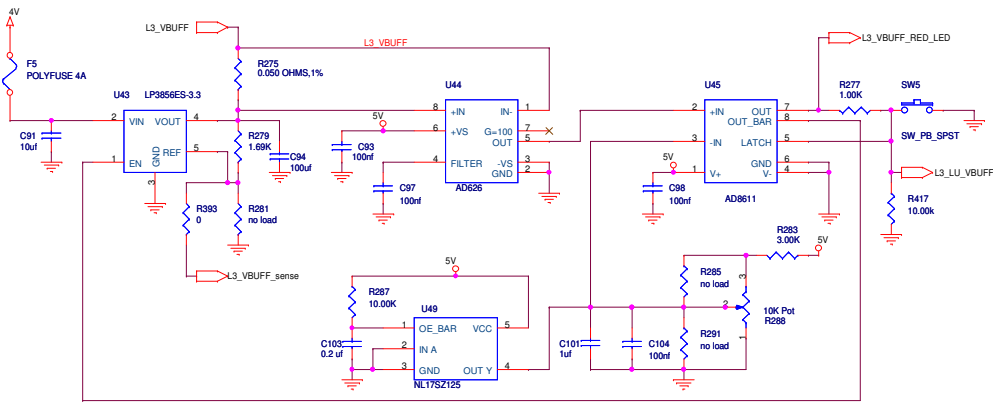


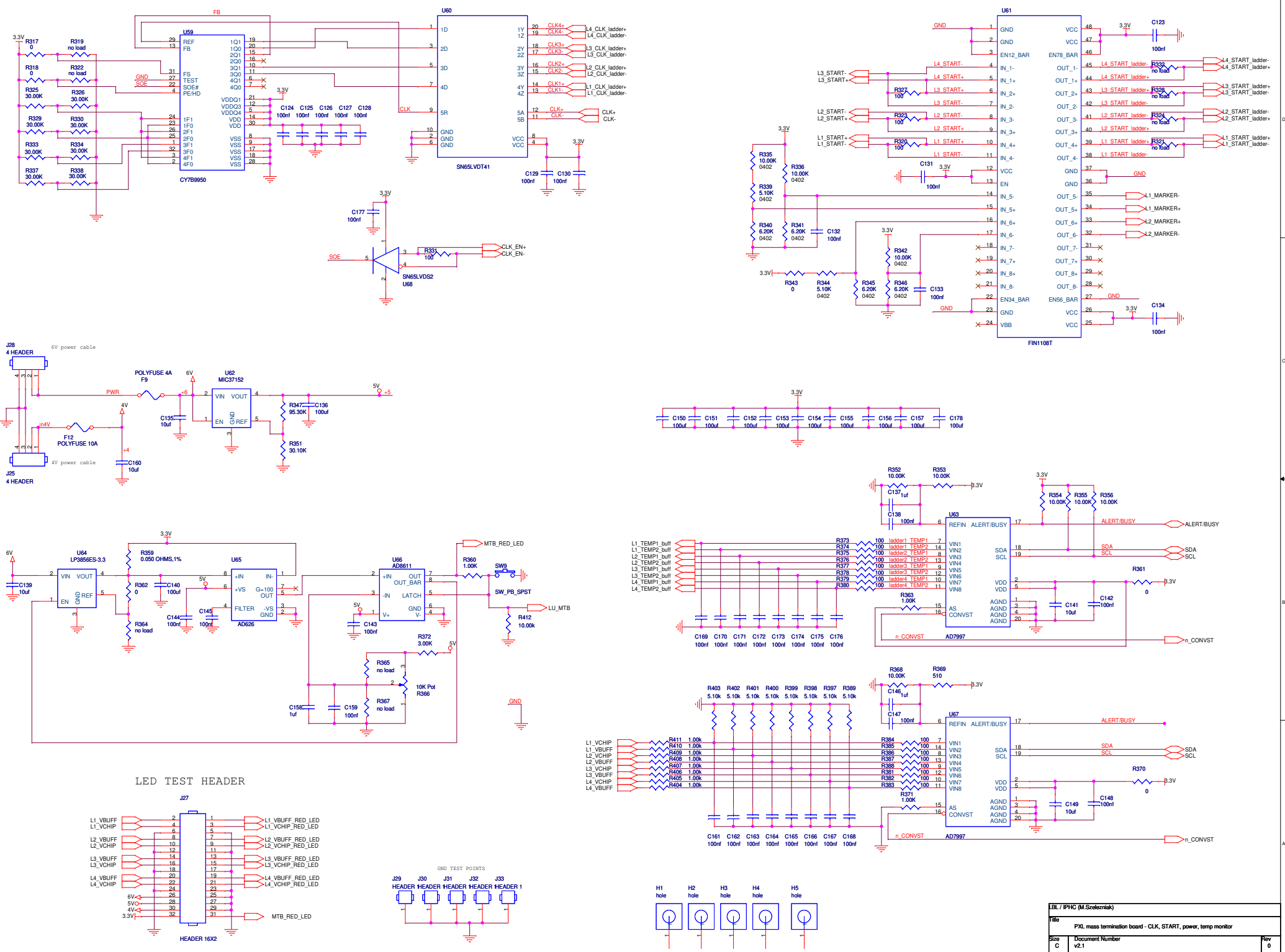
4 pins for power (1-amp per pin)
8 pins for gnd
to/from ladder 1

to/from ladder 2

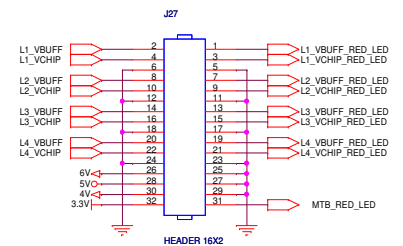




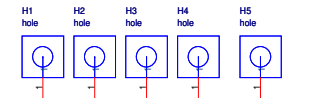
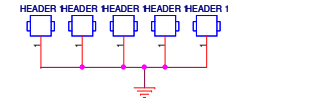




LED TEST HEADER



GND TEST POINTS



LBL / IPHC (M.Szażezniak)	
Title: PXL mass termination board - CLK, START, power, temp monitor	
Size: C	Document Number: v2.1
Date: Wednesday, January 23, 2013	Sheet: 6 of 6