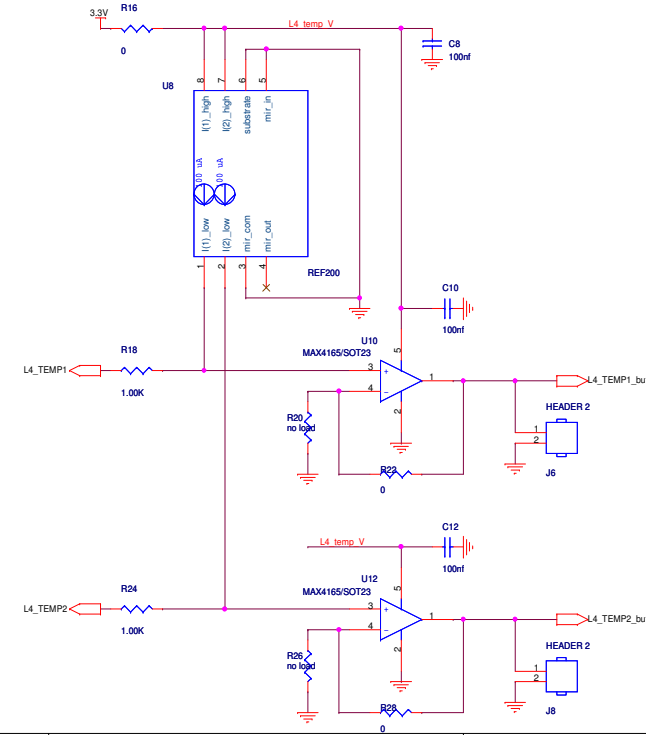
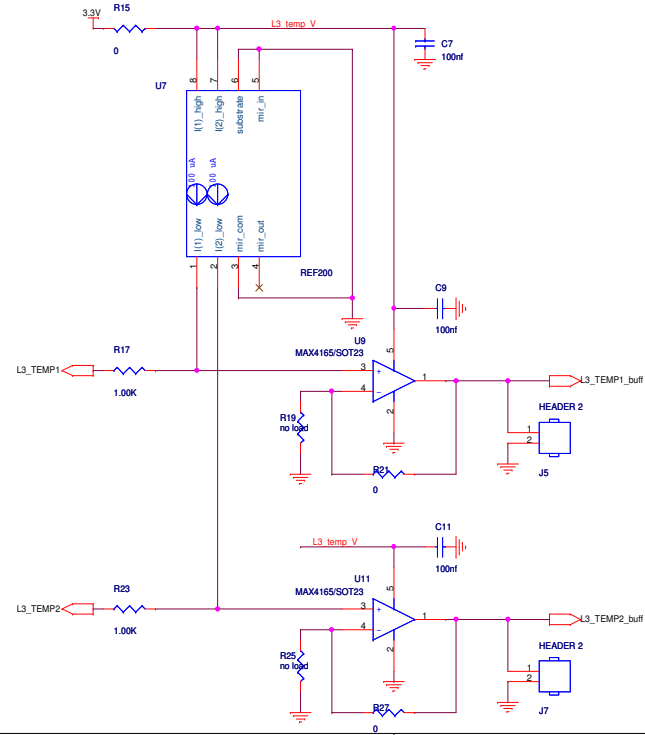
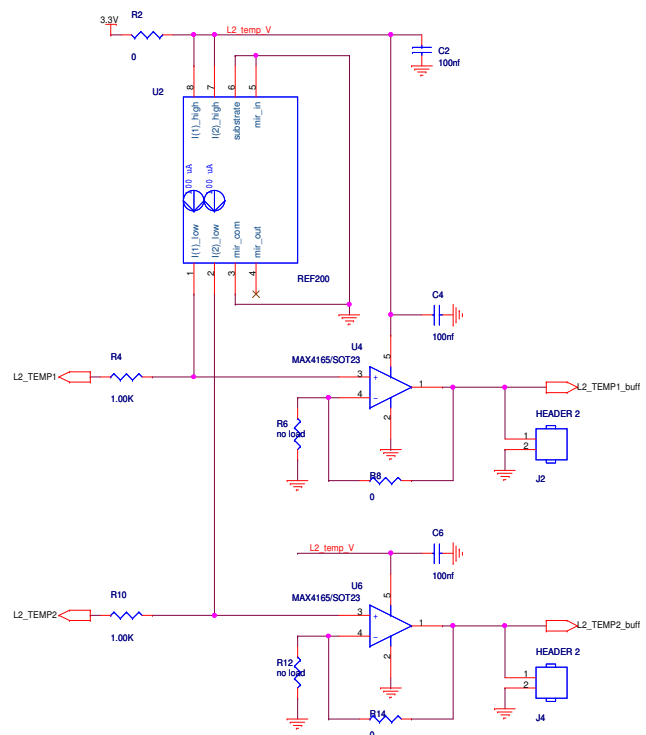
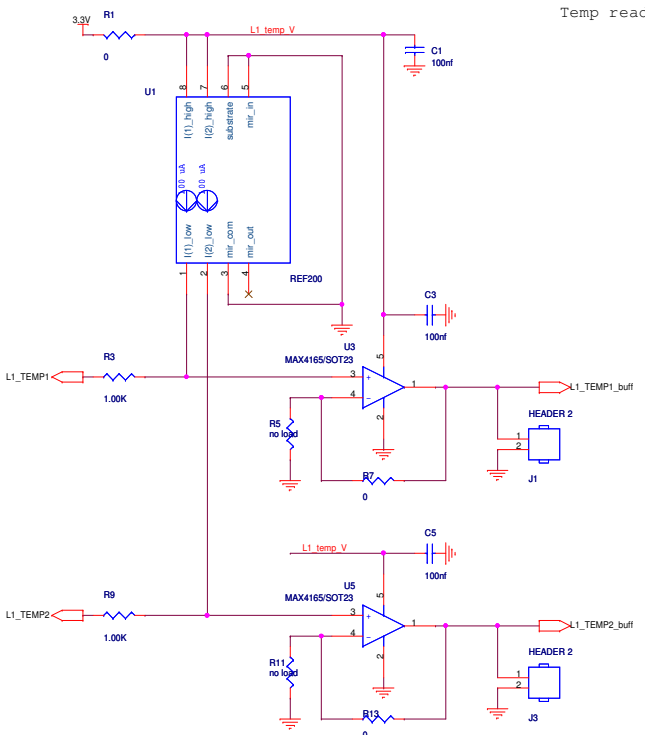
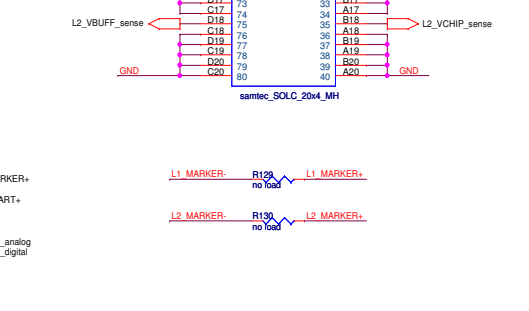
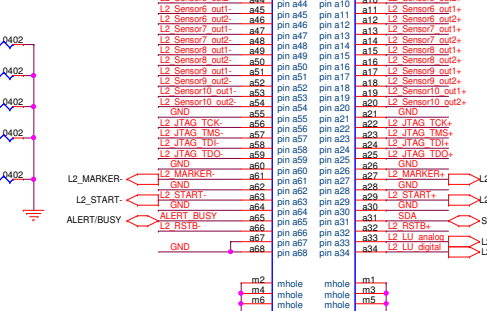
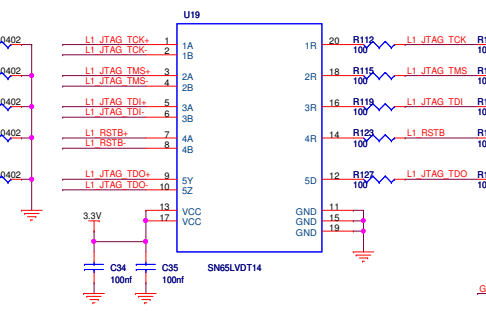
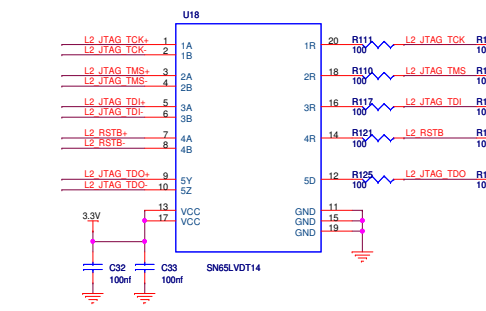
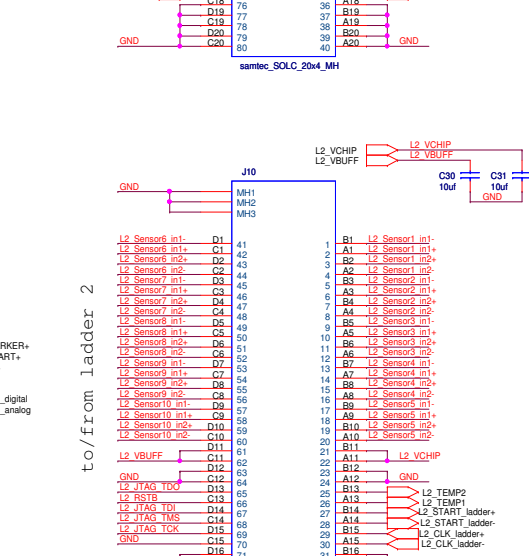
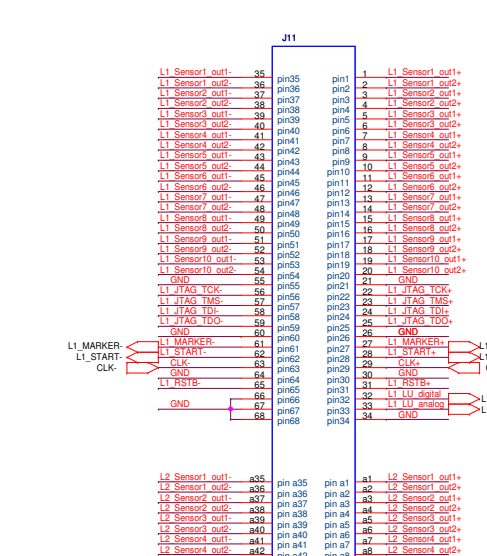
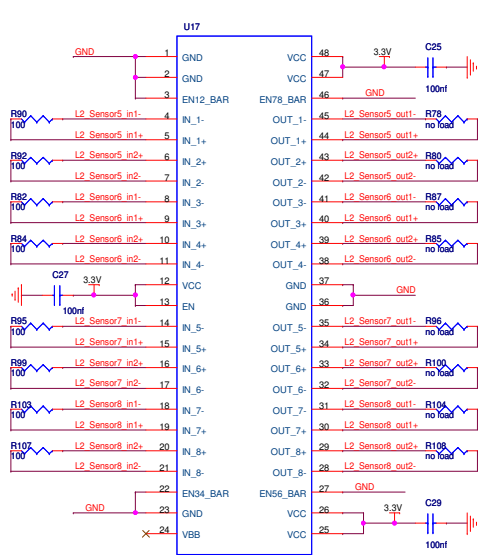
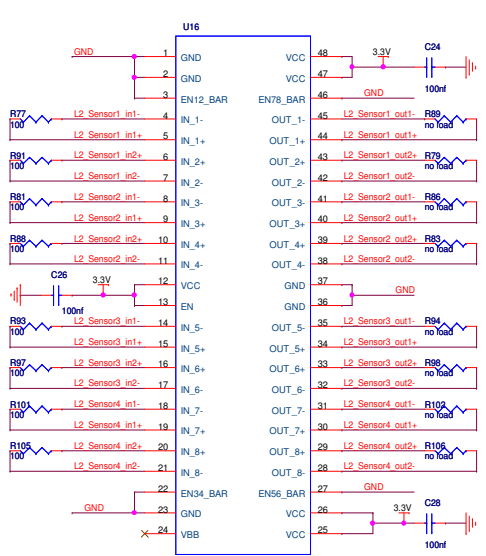
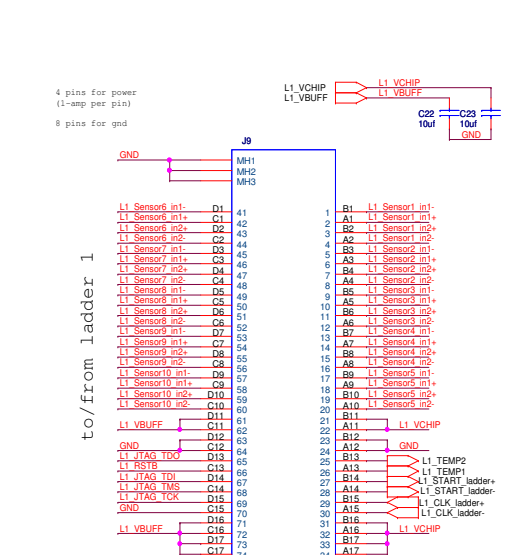
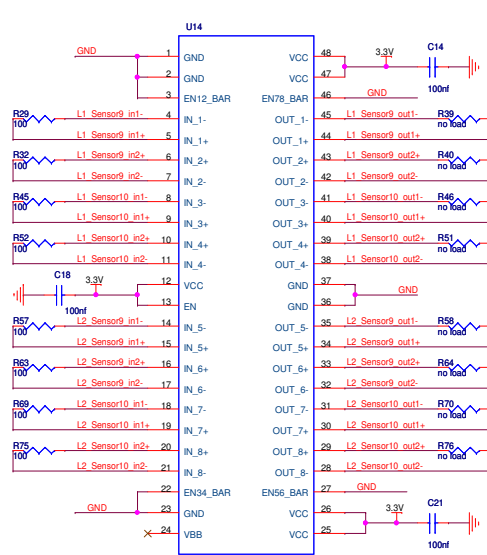
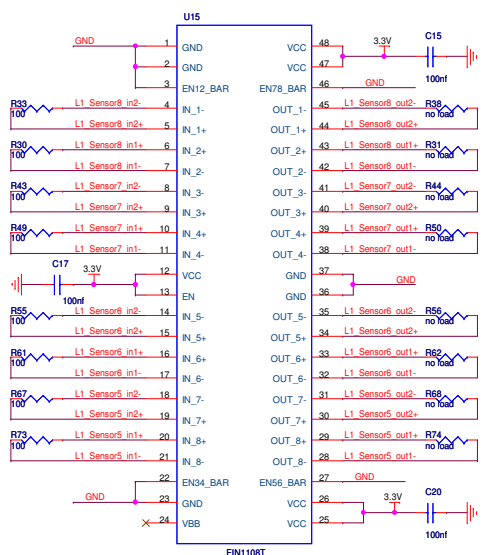
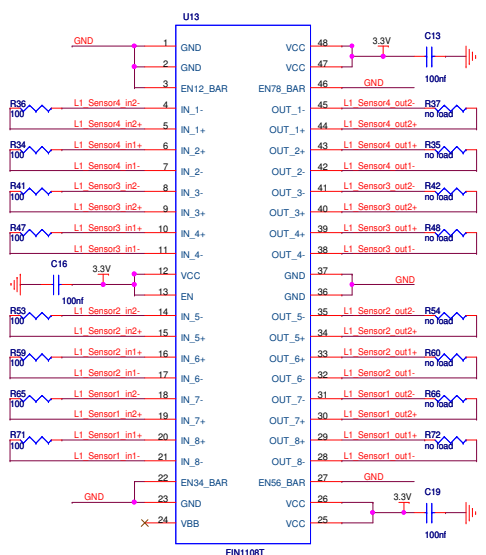
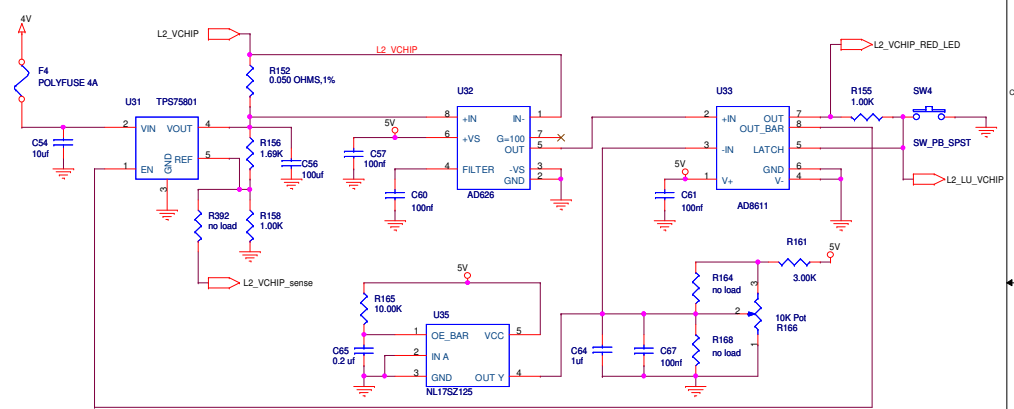
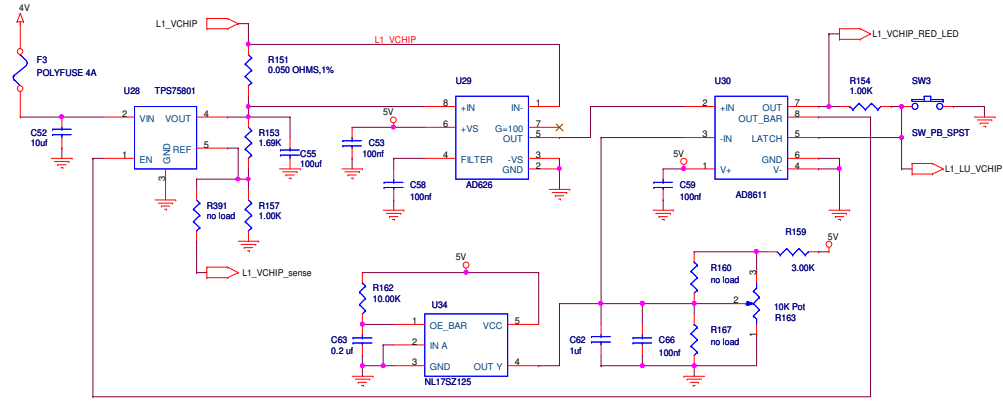
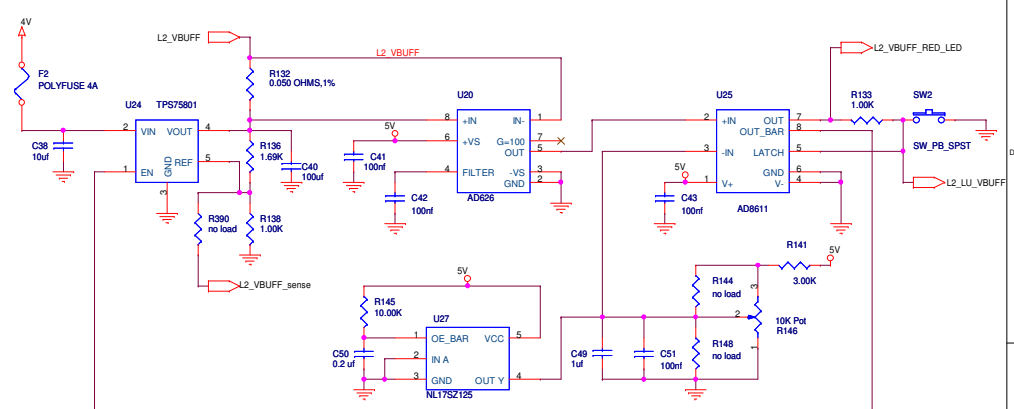
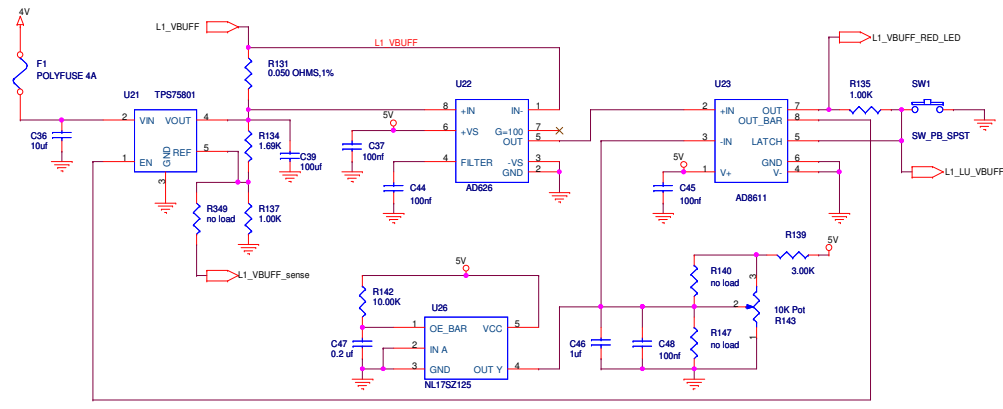


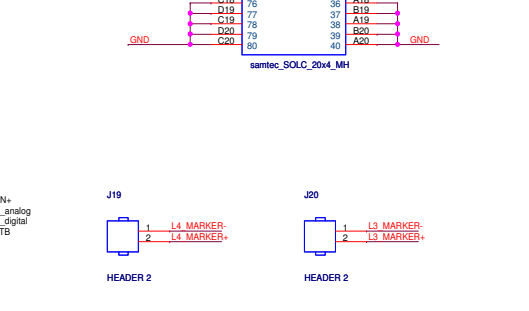
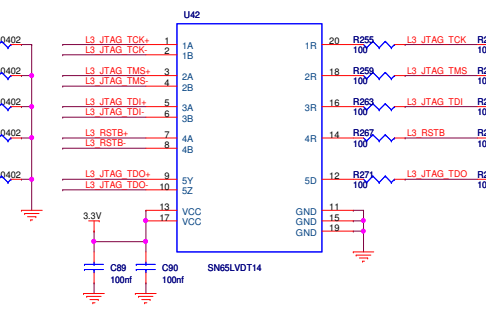
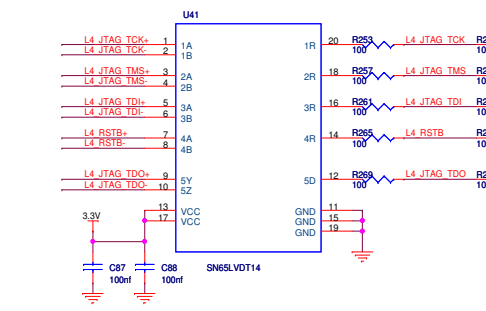
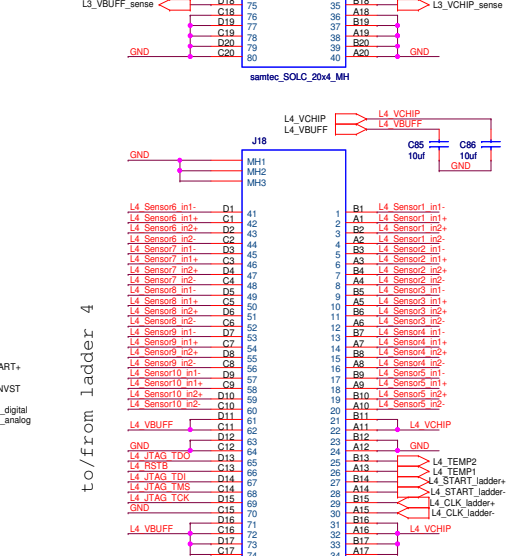
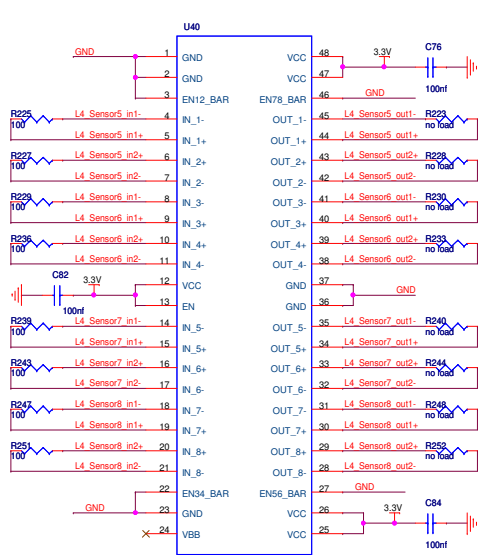
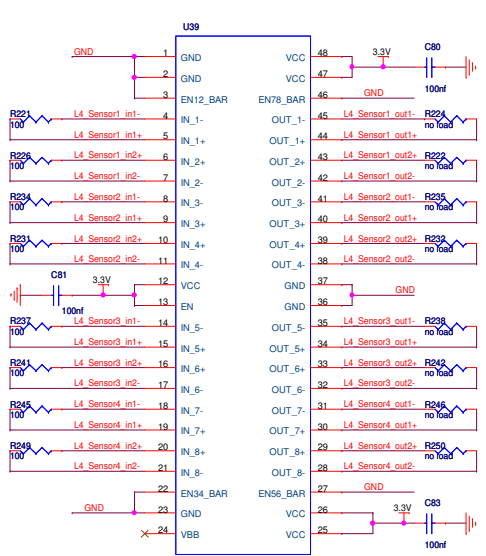
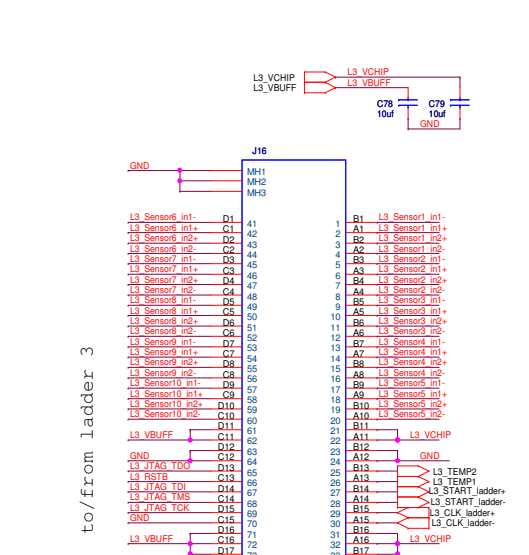
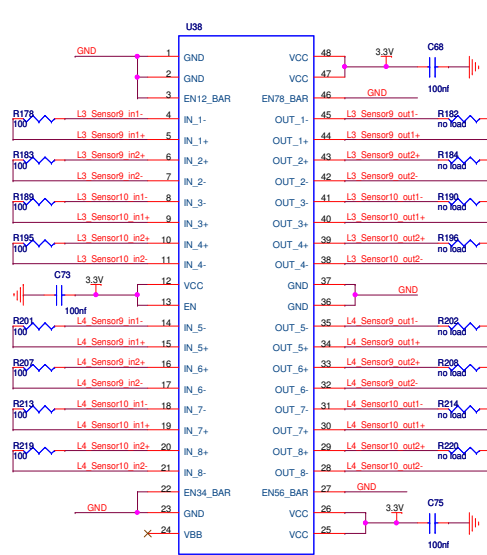
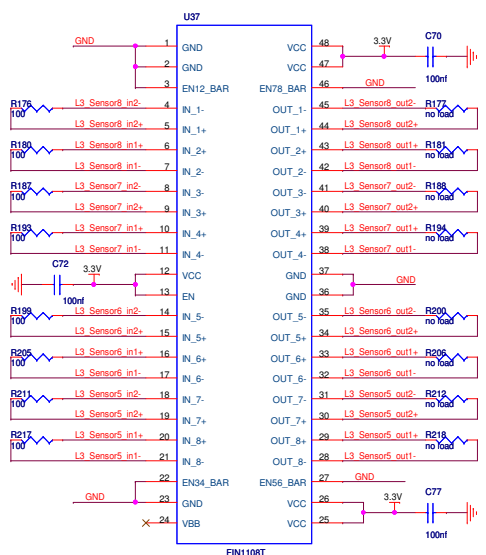
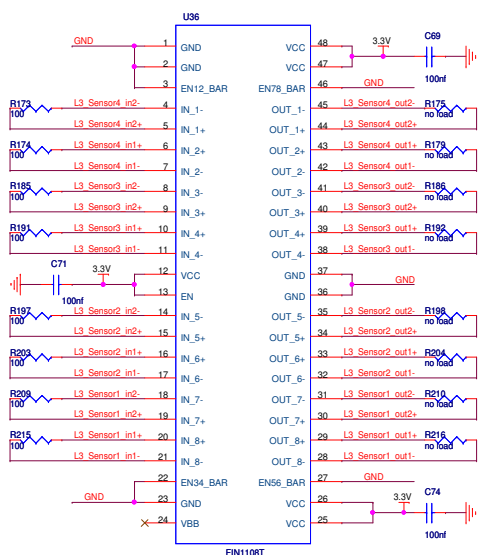
Temp readout

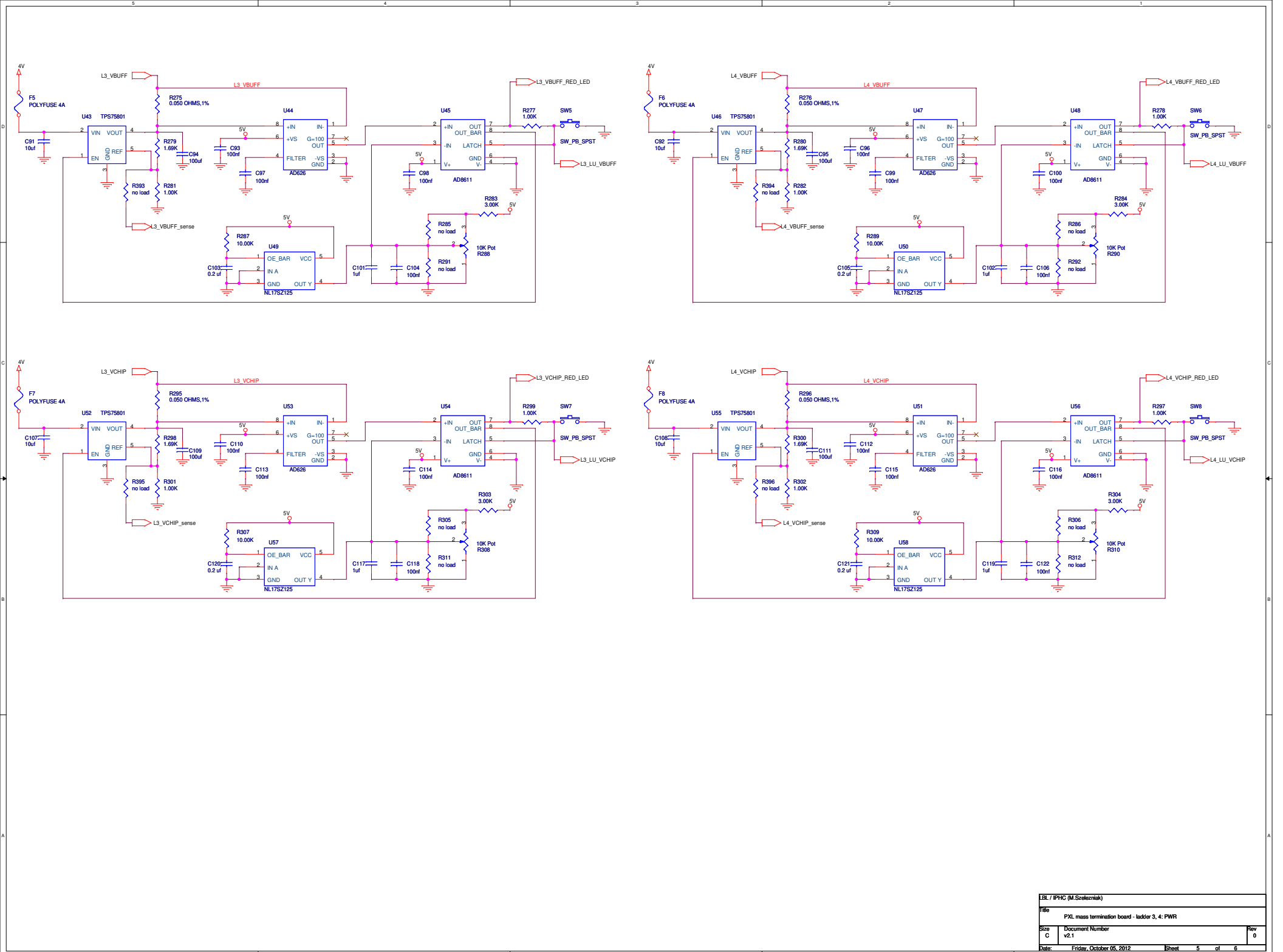


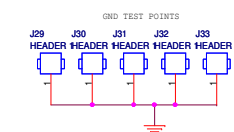
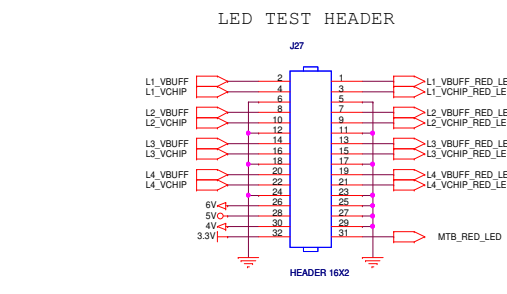
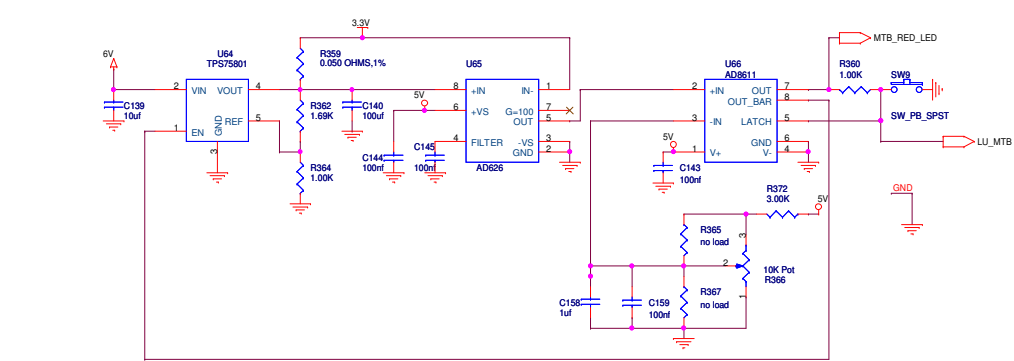
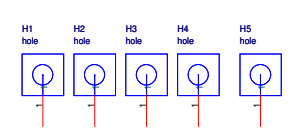
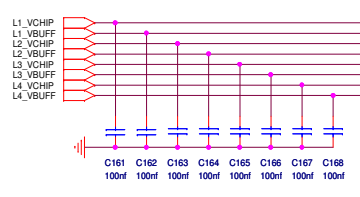
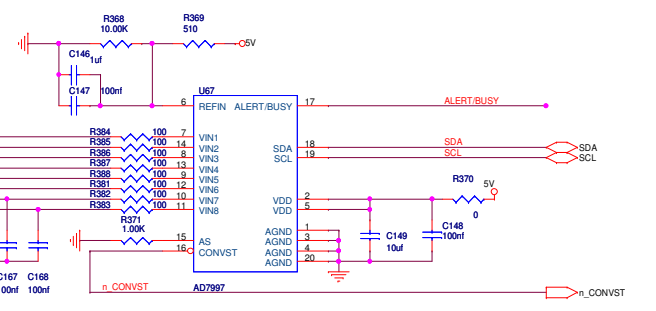
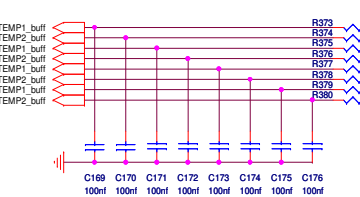
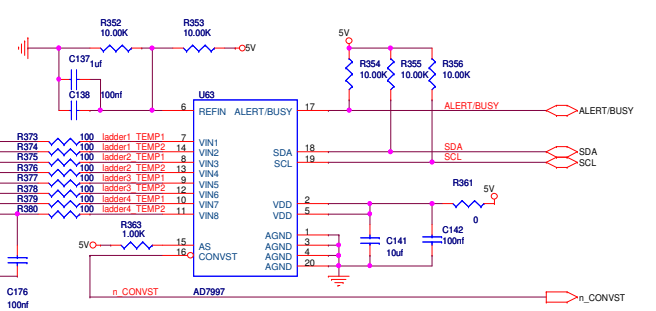
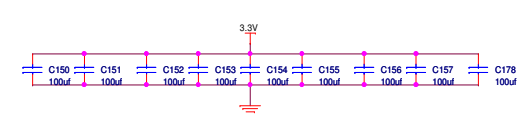
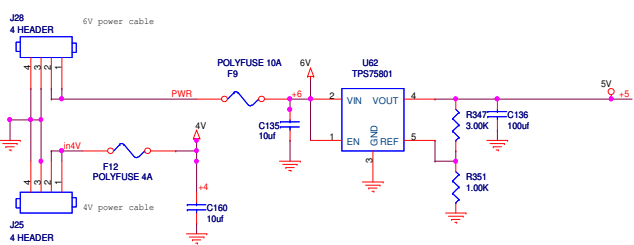
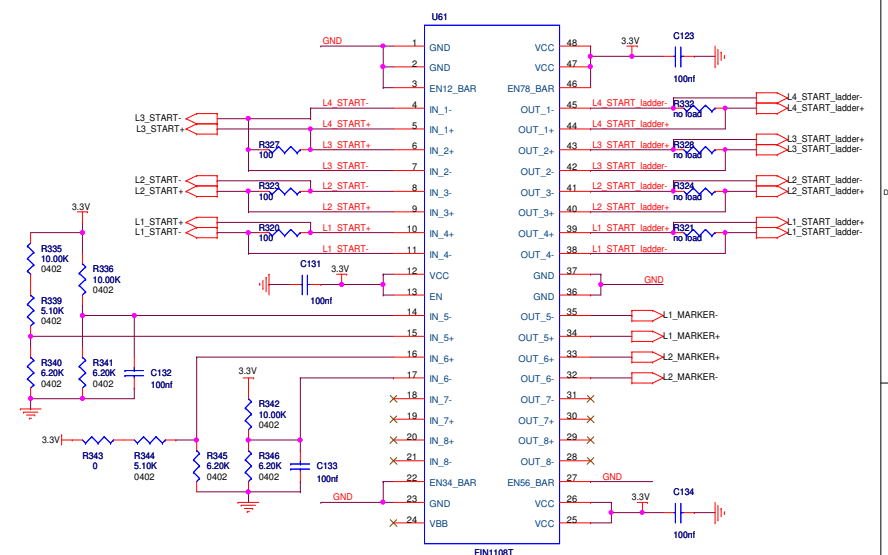
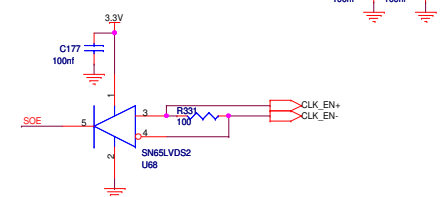
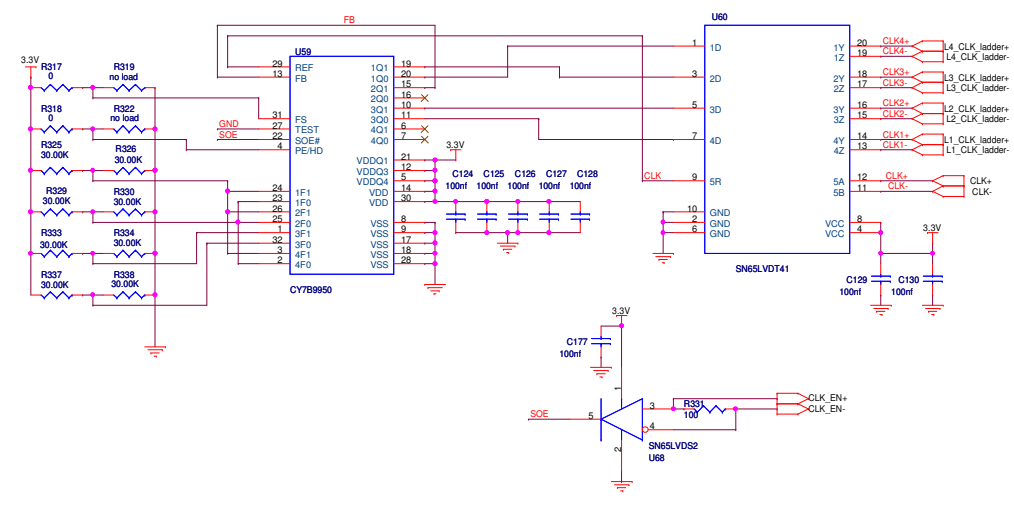
Title	<Title>	
Size	Document Number	Rev 0
C	<Doc>	
Date:	Friday, October 05, 2012	Sheet 1 of 6











LBL / IPHC (M.Szafeznjak)	
Title PXL mass termination board - CLK, START, power, temp monitor	
Size C	Document Number v2.1
Date: Friday, October 05, 2012	Sheet 6 of 6
	Rev 0