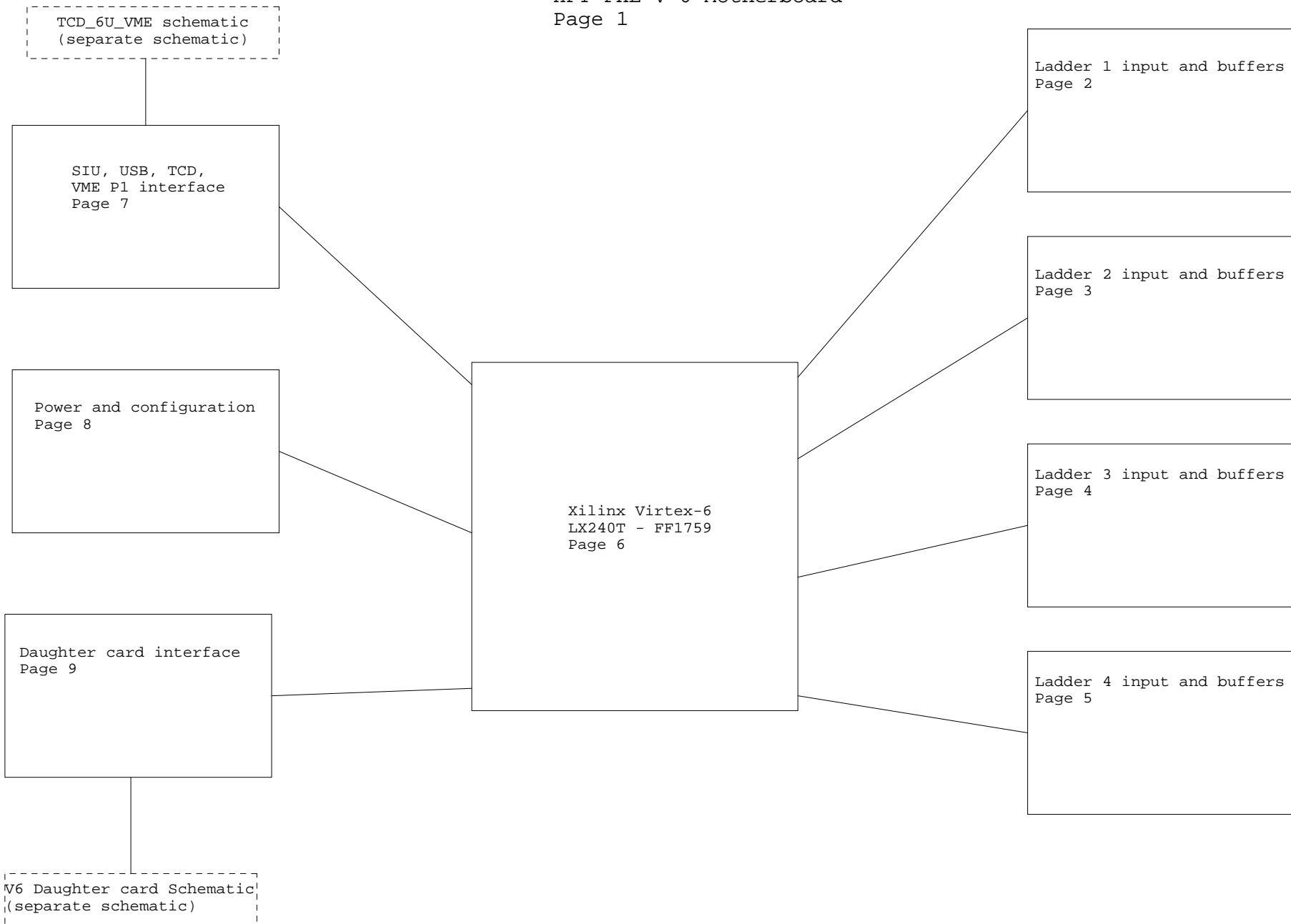
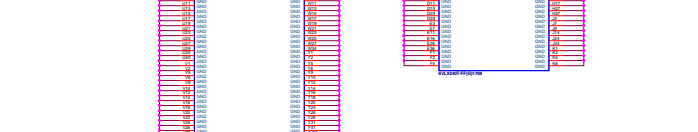
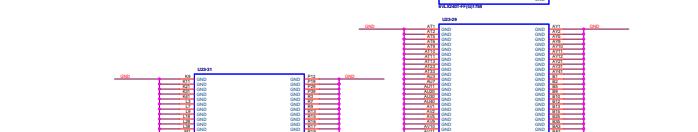
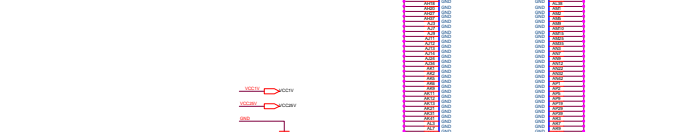
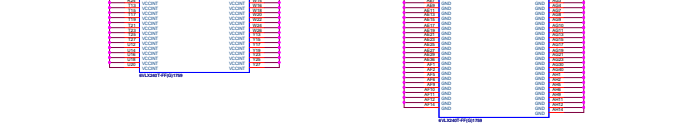
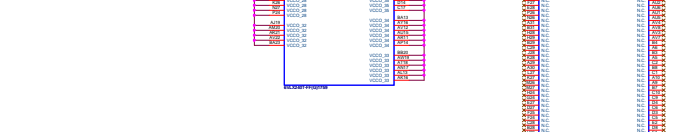
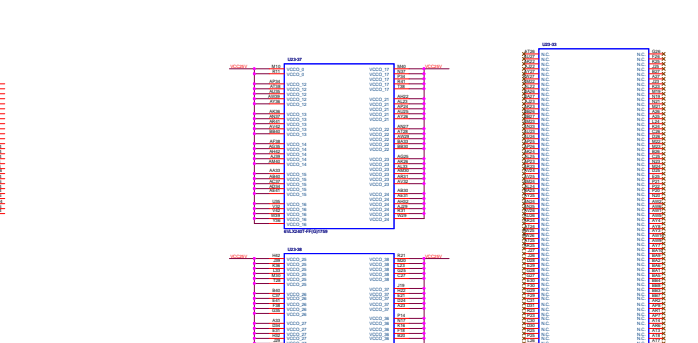
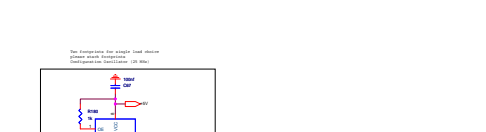
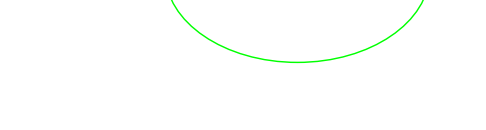
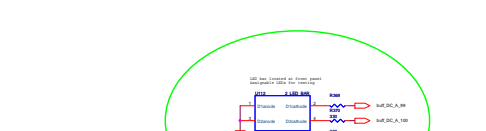
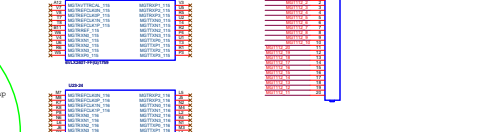
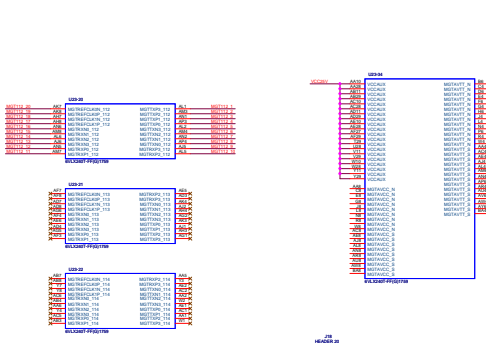
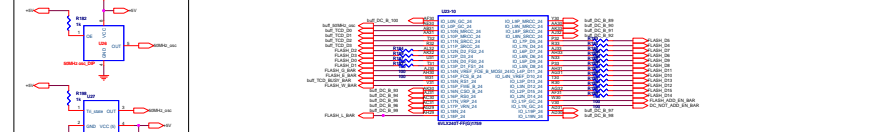
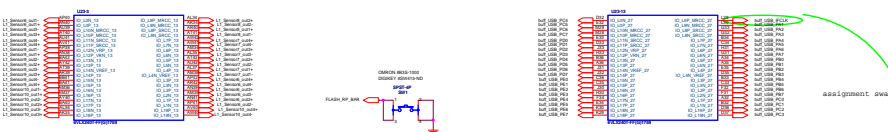
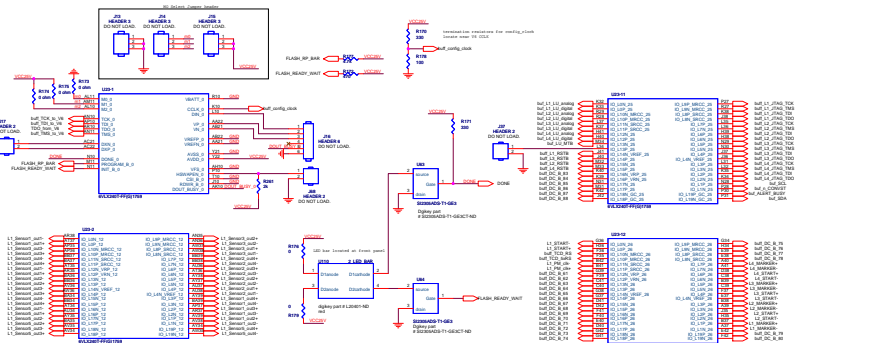


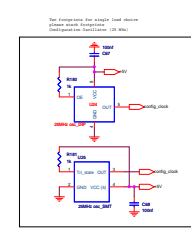
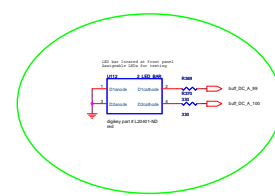
SCHMATIC ORGANIZATION
HFT PXL V-6 Motherboard
Page 1



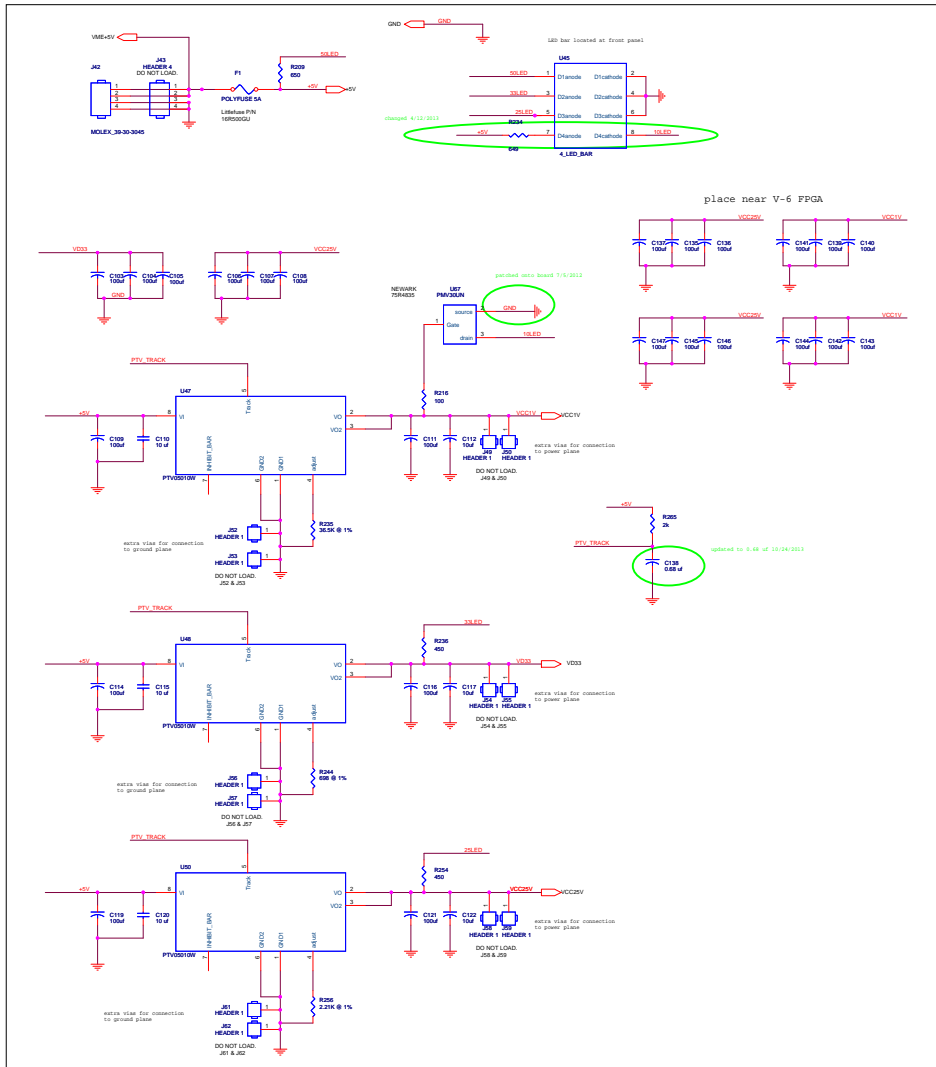
Title		
HFT PXL RDO motherboard (Virtex-6)		
Size	Document Number	Rev
C	<Doc>	A
Date:	Thursday, October 24, 2013	Sheet 1 of 9



assignment swap



POWER



D5817 (Silicon Flash XL) configuration

