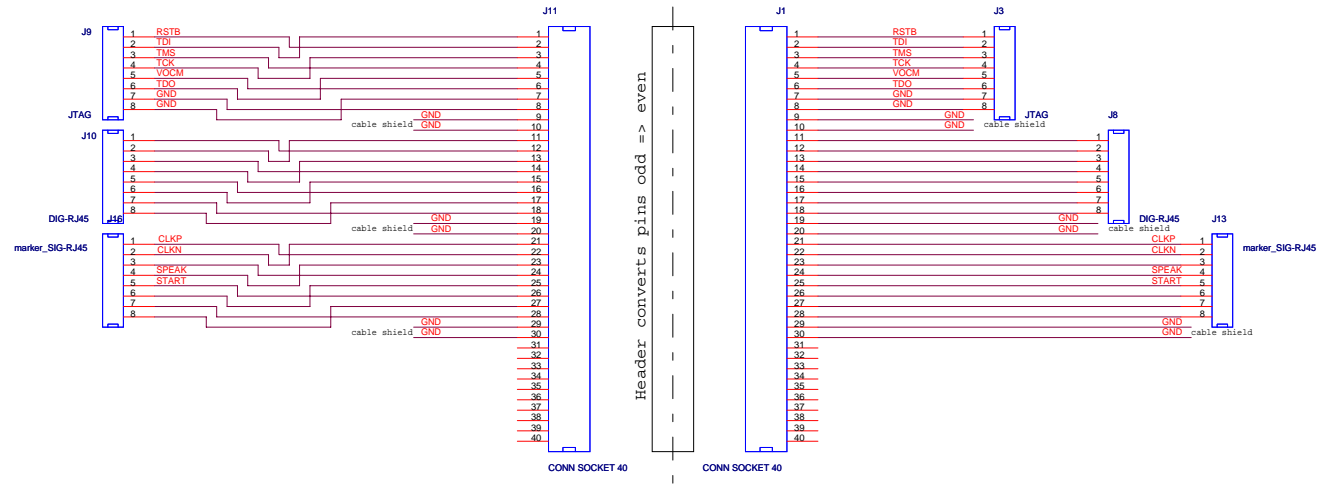
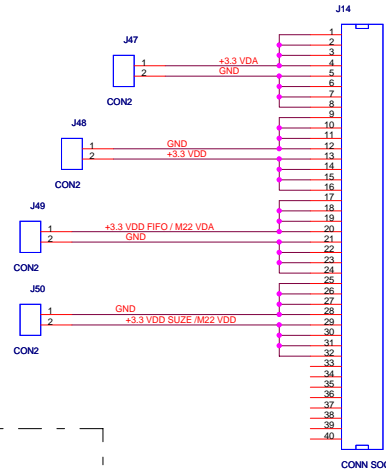


signal connections at the Phase-1 interface board

	Phase-1	Mimosa22
JTAG	J53	J77
CLK	J56	J58
OUT	J58	N/A



Latch up monitoring PCB 1
(Mimosa22 AUX PCB +9 V)

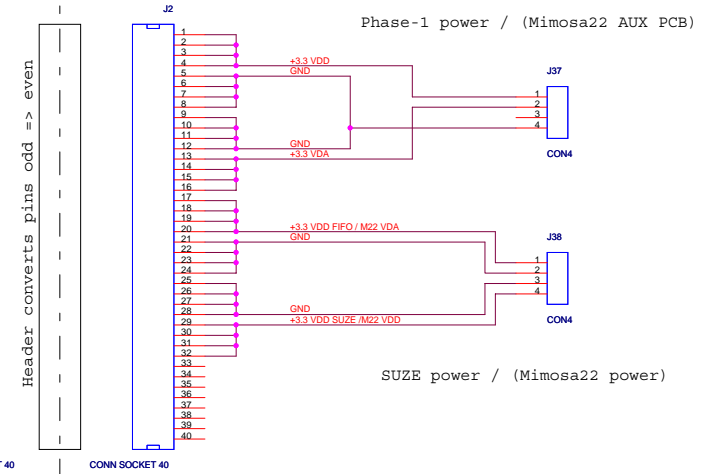


Latch up monitoring PCB 2

Latch up monitoring PCB 3

Latch up monitoring PCB 4

Phase-1 power / (Mimosa22 AUX PCB)



SUZE power / (Mimosa22 power)

Additional connections on Phase-1 interface board

