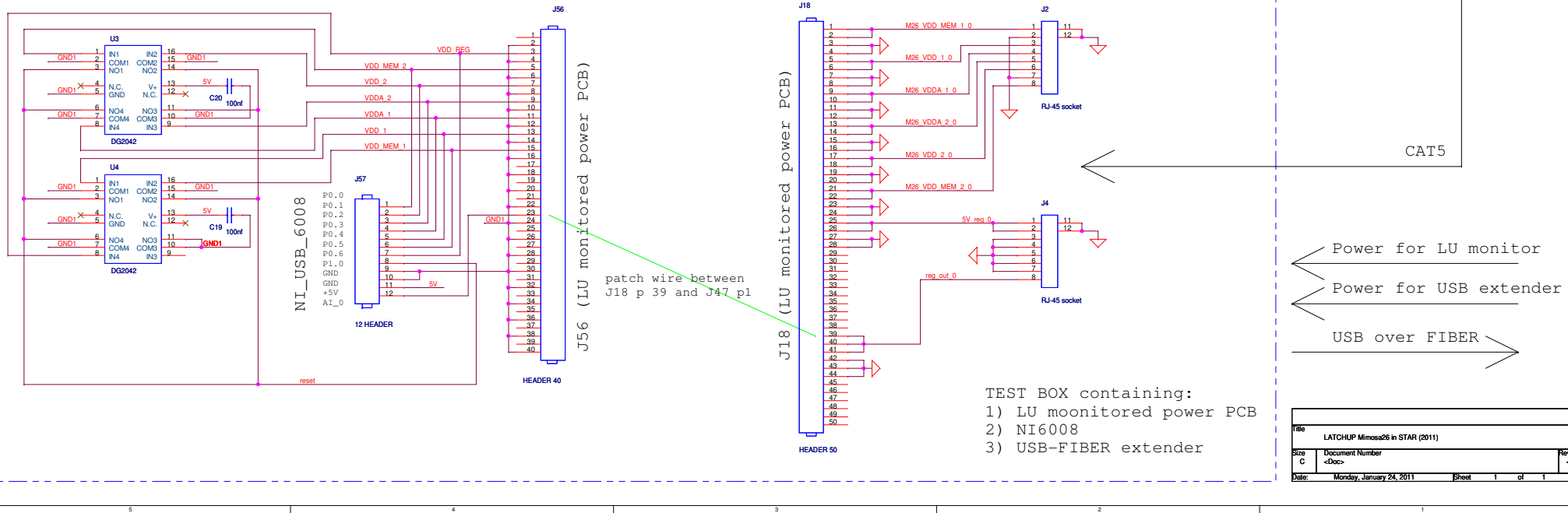


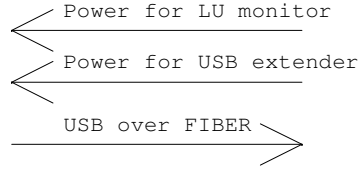
LU\_MONITOR\_ADAPTOR

LU\_POWER\_ADAPTOR



patch wire between J18 p 39 and J47 p1

- TEST BOX containing:
- 1) LU monitored power PCB
  - 2) NI6008
  - 3) USB-FIBER extender



File	LATCHUP Mimosas26 in STAR (2011)		
Size	Document Number	<Doc>	Rev <Rev Code>
Date	Monday, January 24, 2011	Sheet	1 of 1