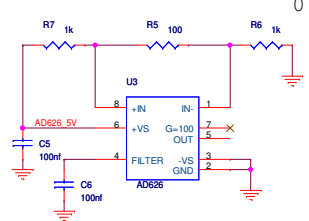
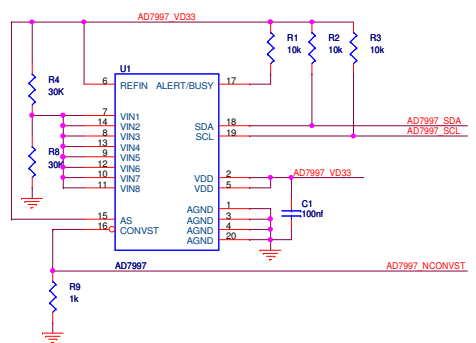


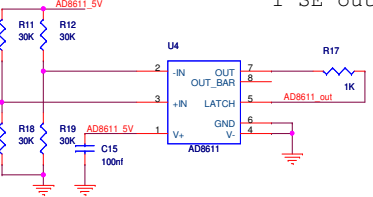
0 SE



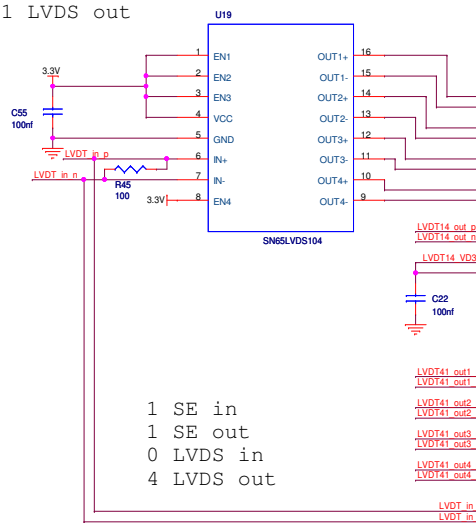
3 SE in



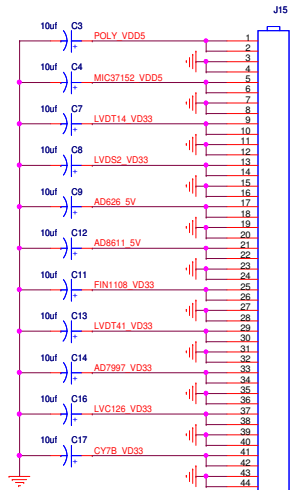
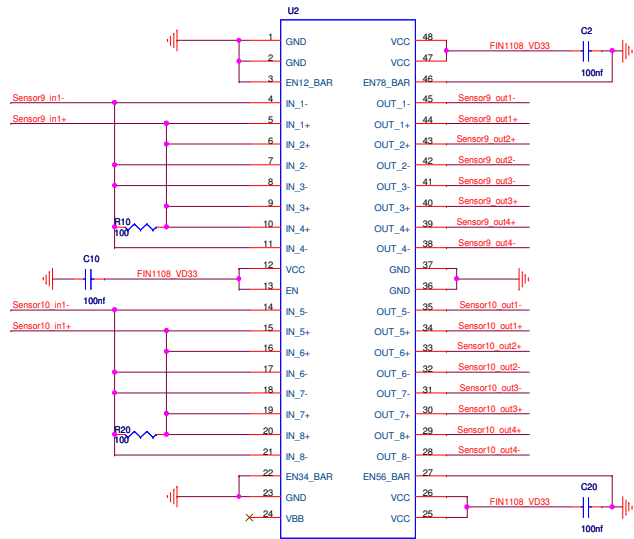
1 SE out



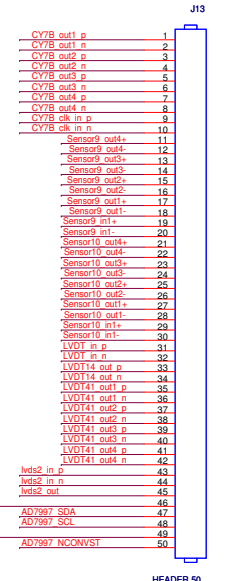
1 SE in
4 SE out
1 LVDS in
1 LVDS out



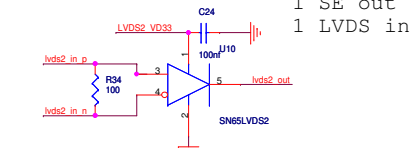
2 LVDS in
8 LVDS out



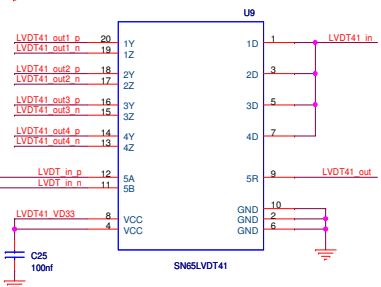
6 SE in
11 SE out
5 LVDS in
17 LVDS out



1 SE out
1 LVDS in

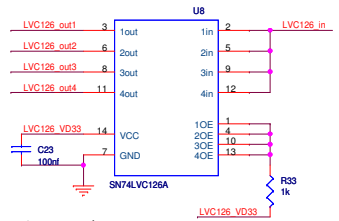
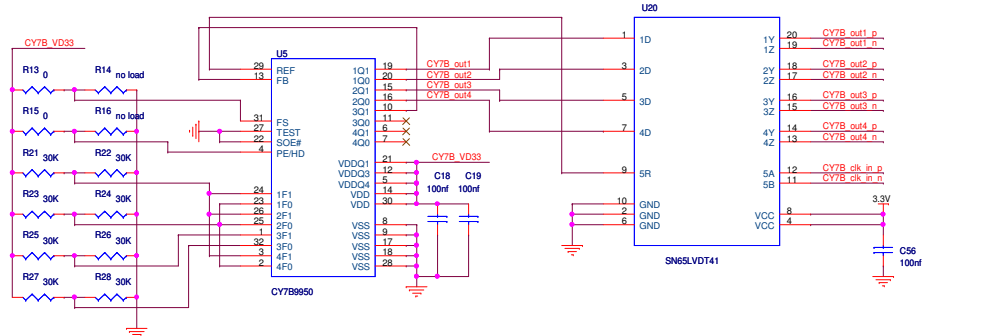


1 SE in
1 SE out
0 LVDS in
4 LVDS out

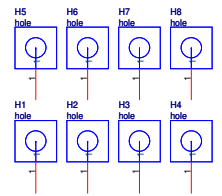


CHECK FOR GLITCHES?

1 LVDS in
4 LVDS out

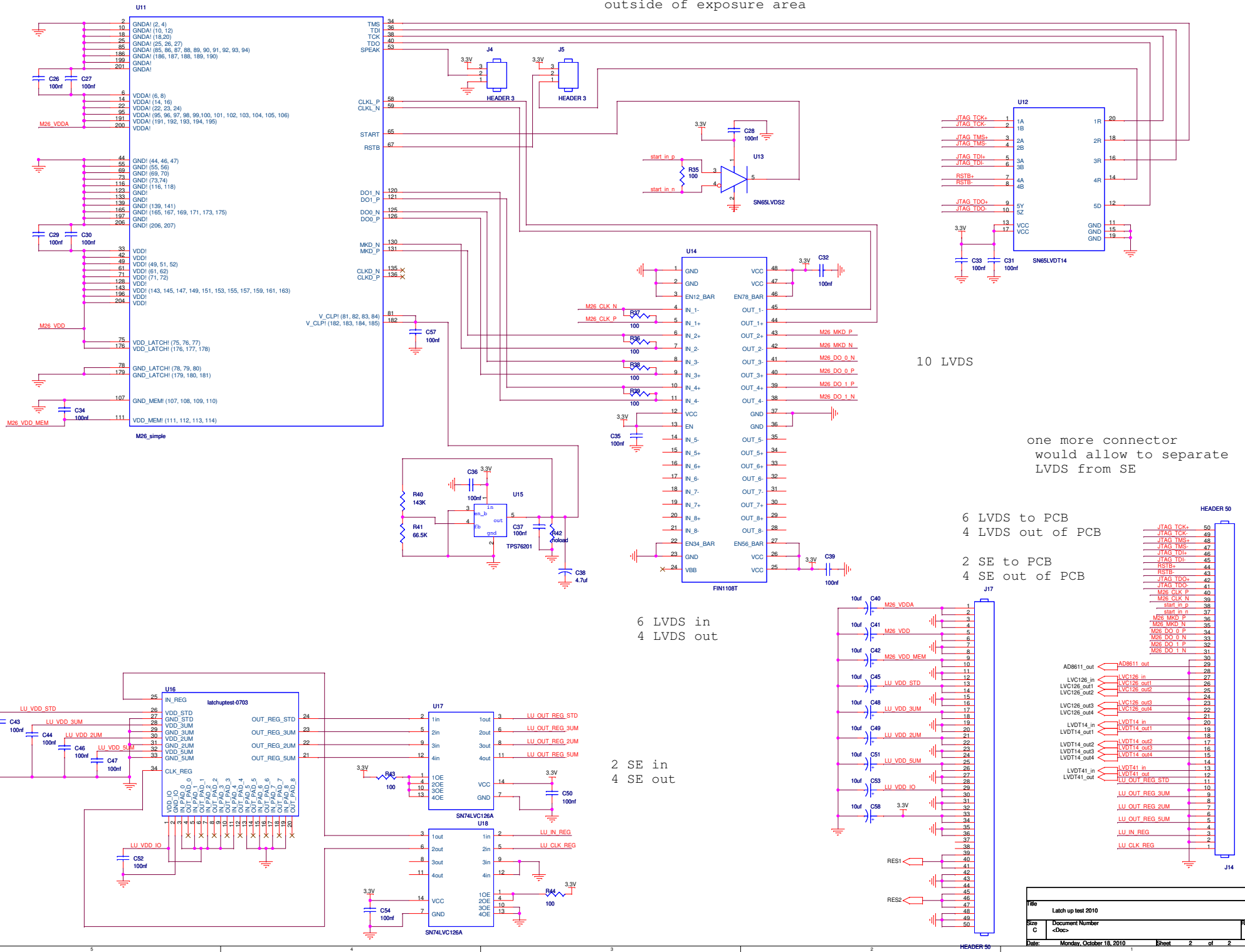


1 SE in
4 SE out



4x40-pin flat ribbon (M-M),
4x50-pin flat ribbon (M-M),

outside of exposure area



10 LVDS

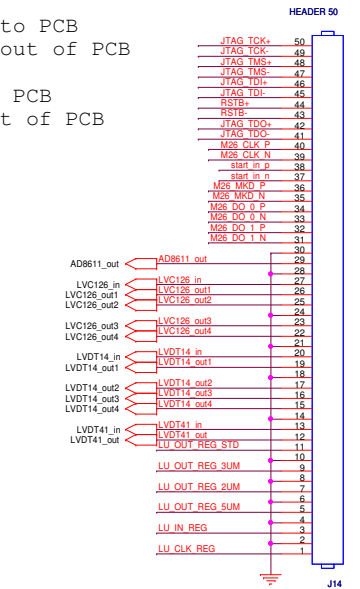
one more connector would allow to separate LVDS from SE

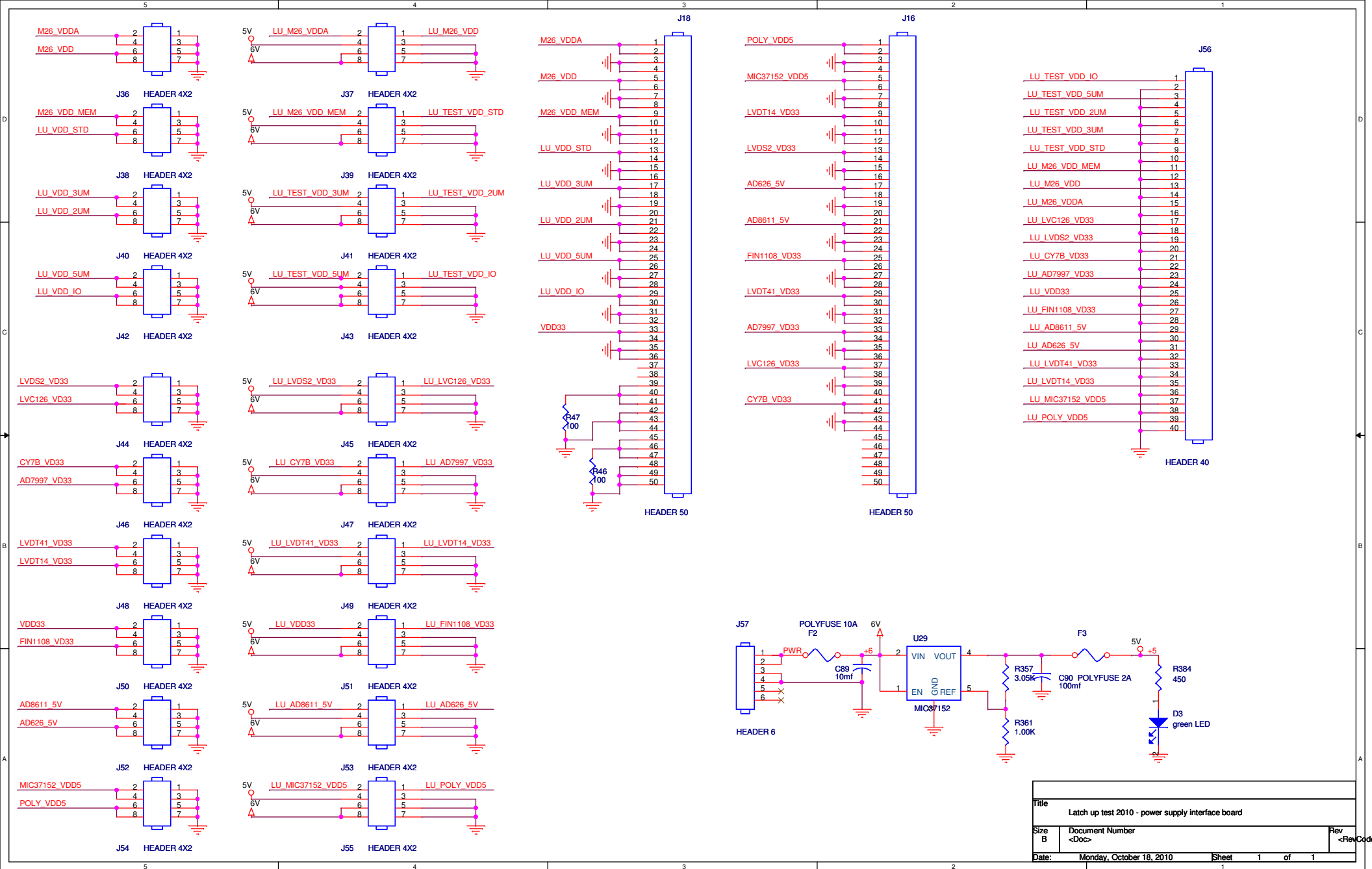
6 LVDS to PCB
4 LVDS out of PCB

2 SE to PCB
4 SE out of PCB

6 LVDS in
4 LVDS out

2 SE in
4 SE out





Title		
Latch up test 2010 - power supply interface board		
Size	Document Number	Rev
B	<Doc>	<RevCode>
Date:	Monday, October 18, 2010	Sheet 1 of 1