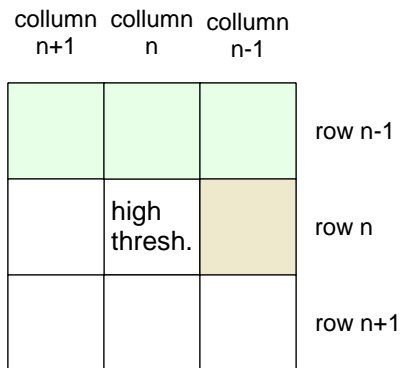
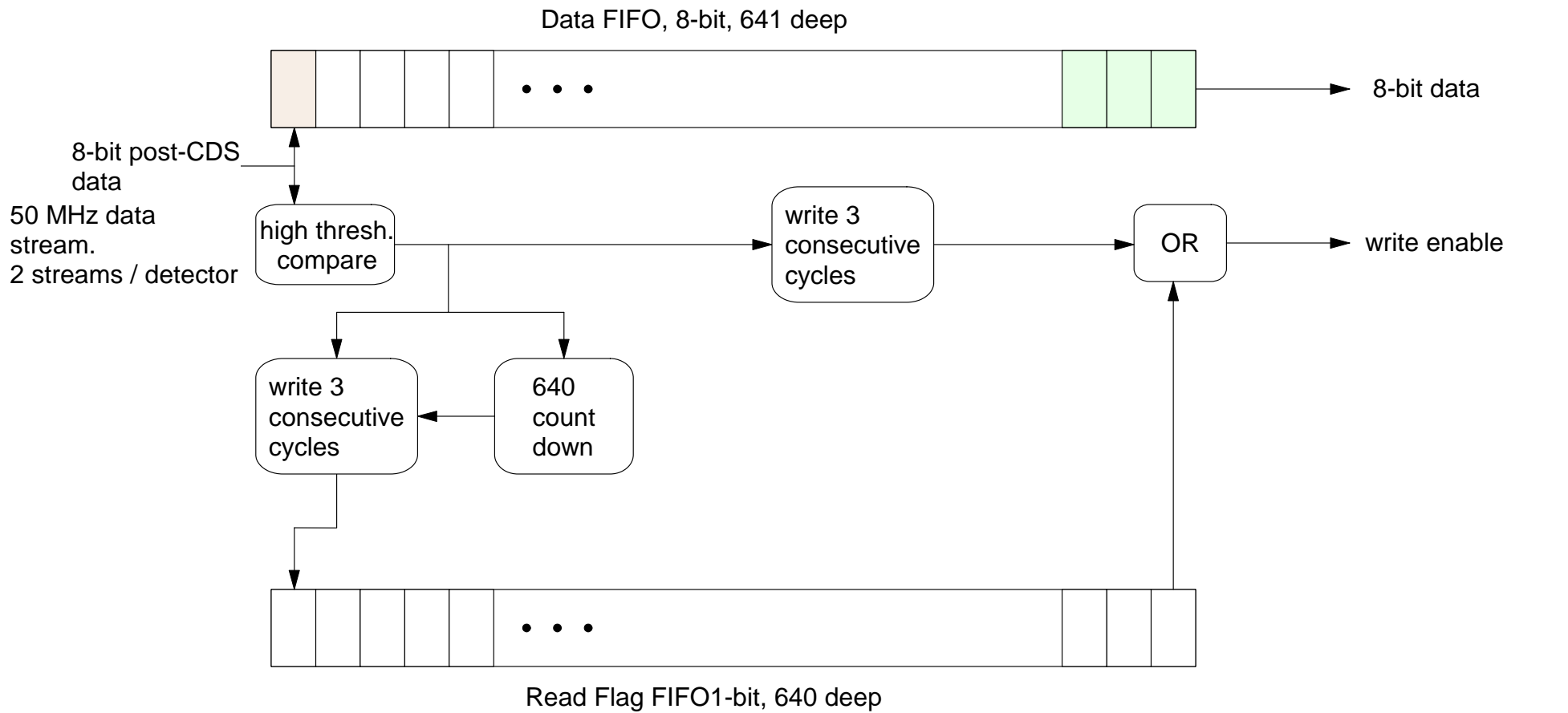


Cluster Finding for HFT



Data saved per high threshold crossing

