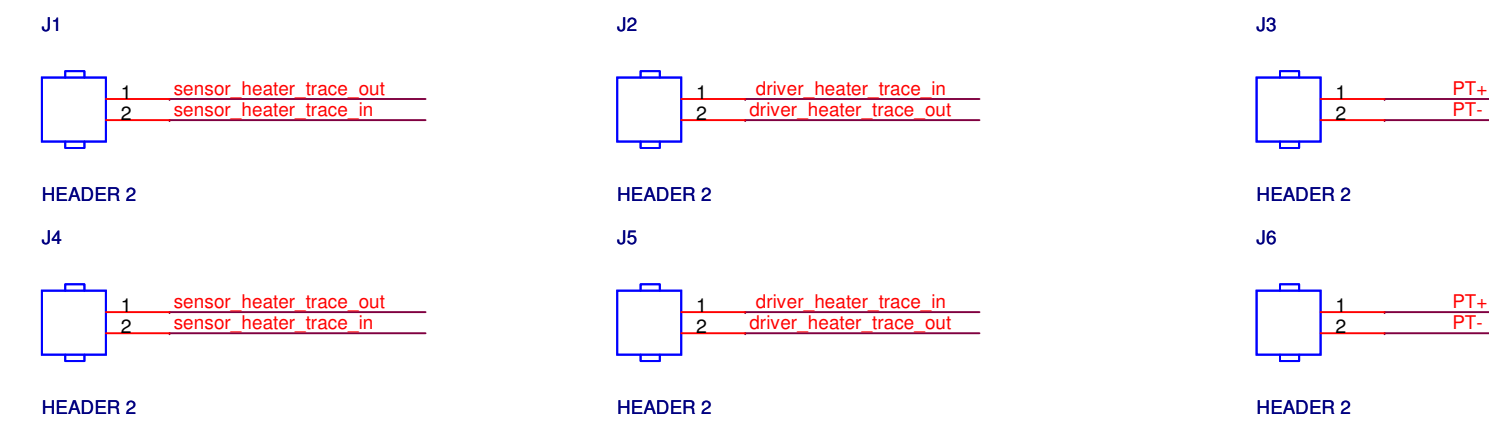
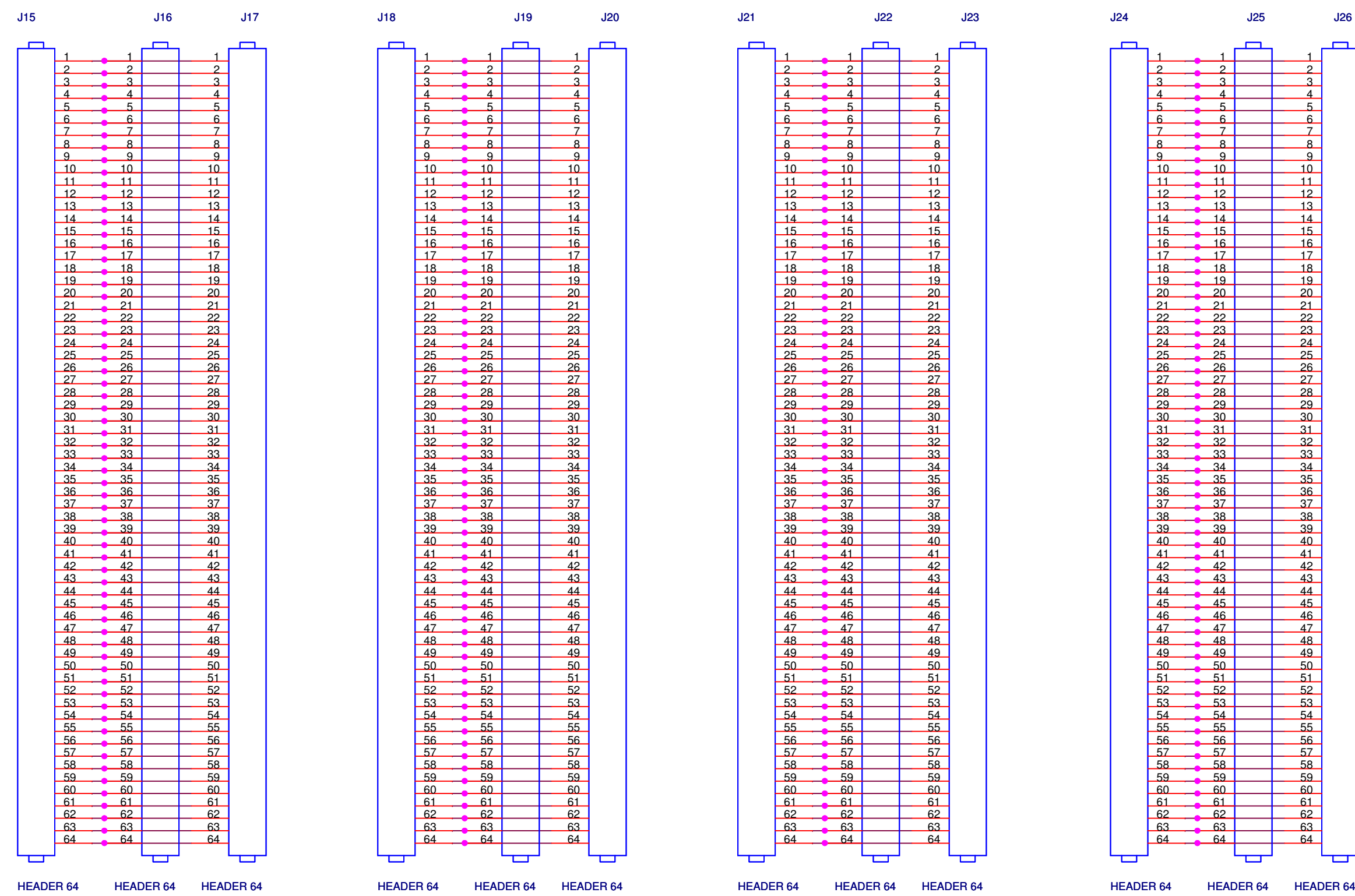


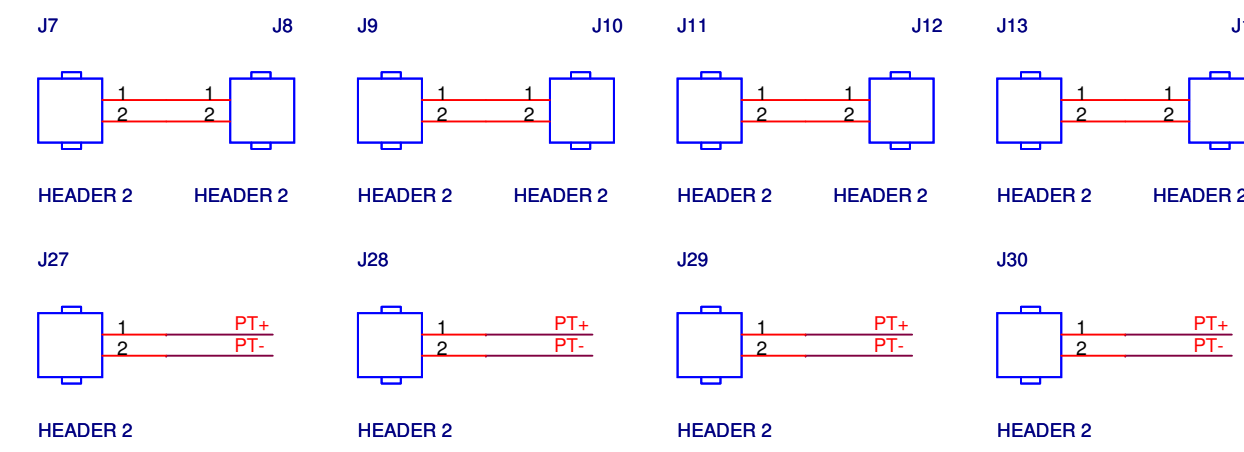
This schematic covers 1/2 of the detector mockup.
20 ladders



Sensor Termination and test points



Power for Pt heater ladders



Mounting Holes

