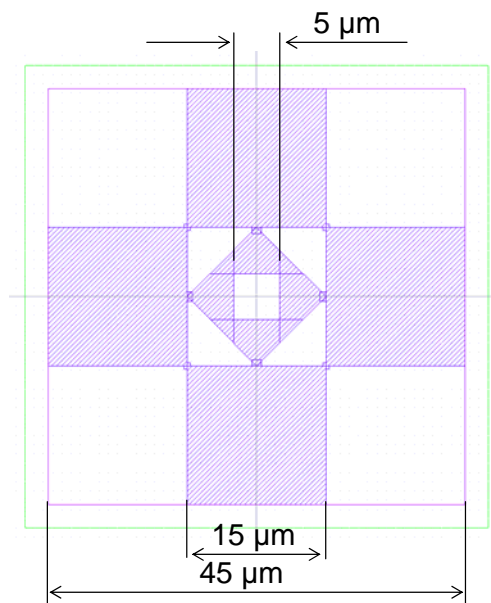


This is to explain the physical aspect and position of the addition of survey reticule to the silicon masks in MIMOSTAR3 chip.

- **Physical aspect:**

Following figure shows a proposed maker which was used in one of our previous circuit. Could you please confirm if such a survey reticule is sufficient for you?



- **Position in MIMOSTAR3 chip:**

Three survey reticules can ensure an accurate survey of the pixel positions. Normally, they are located in three extreme positions of the chip. Because the pixel array occupies a majority surface, we propose to put four survey reticules, below the pixel array, in the readout circuit and I/O PAD ring as showed in the following figure :

