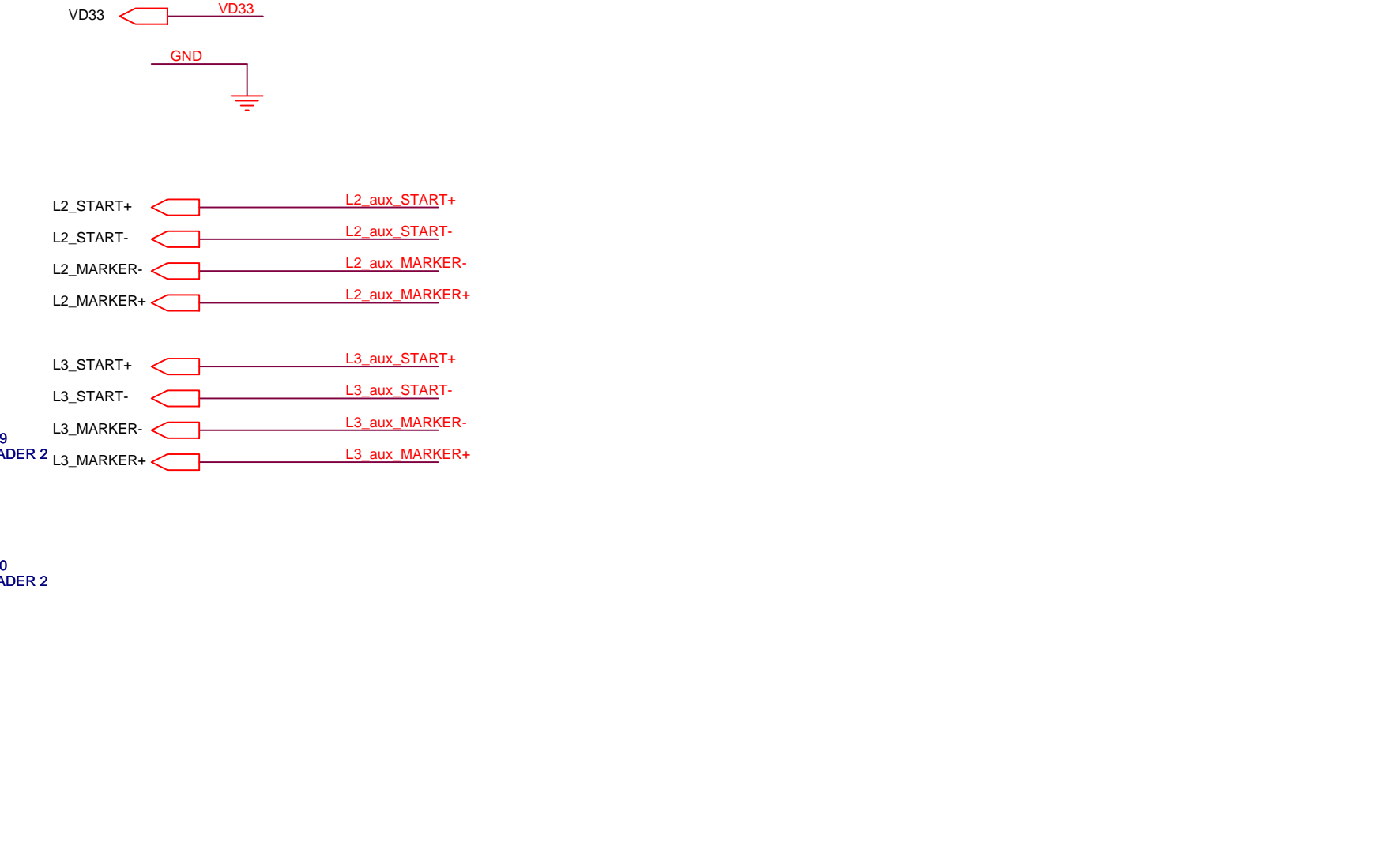
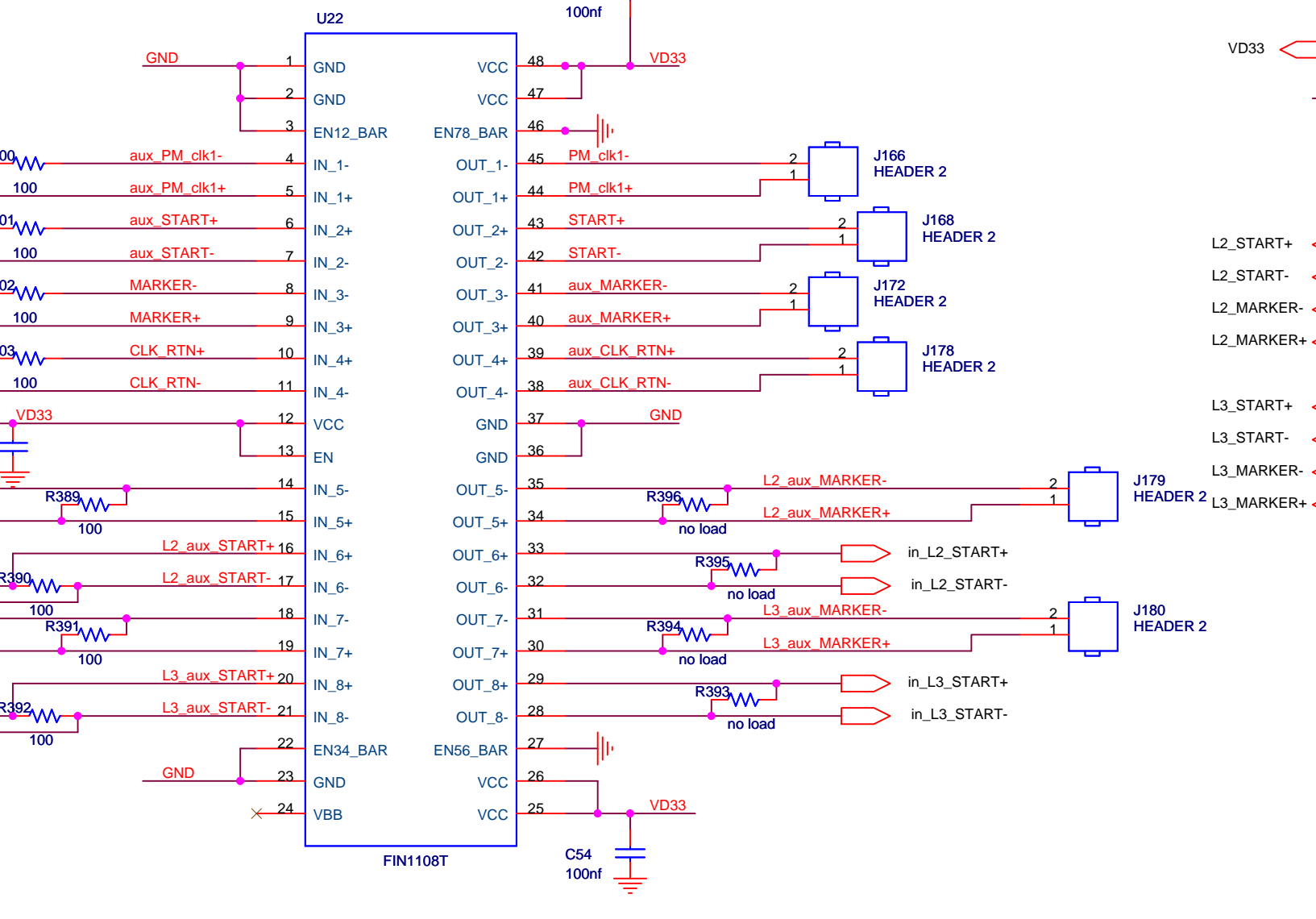
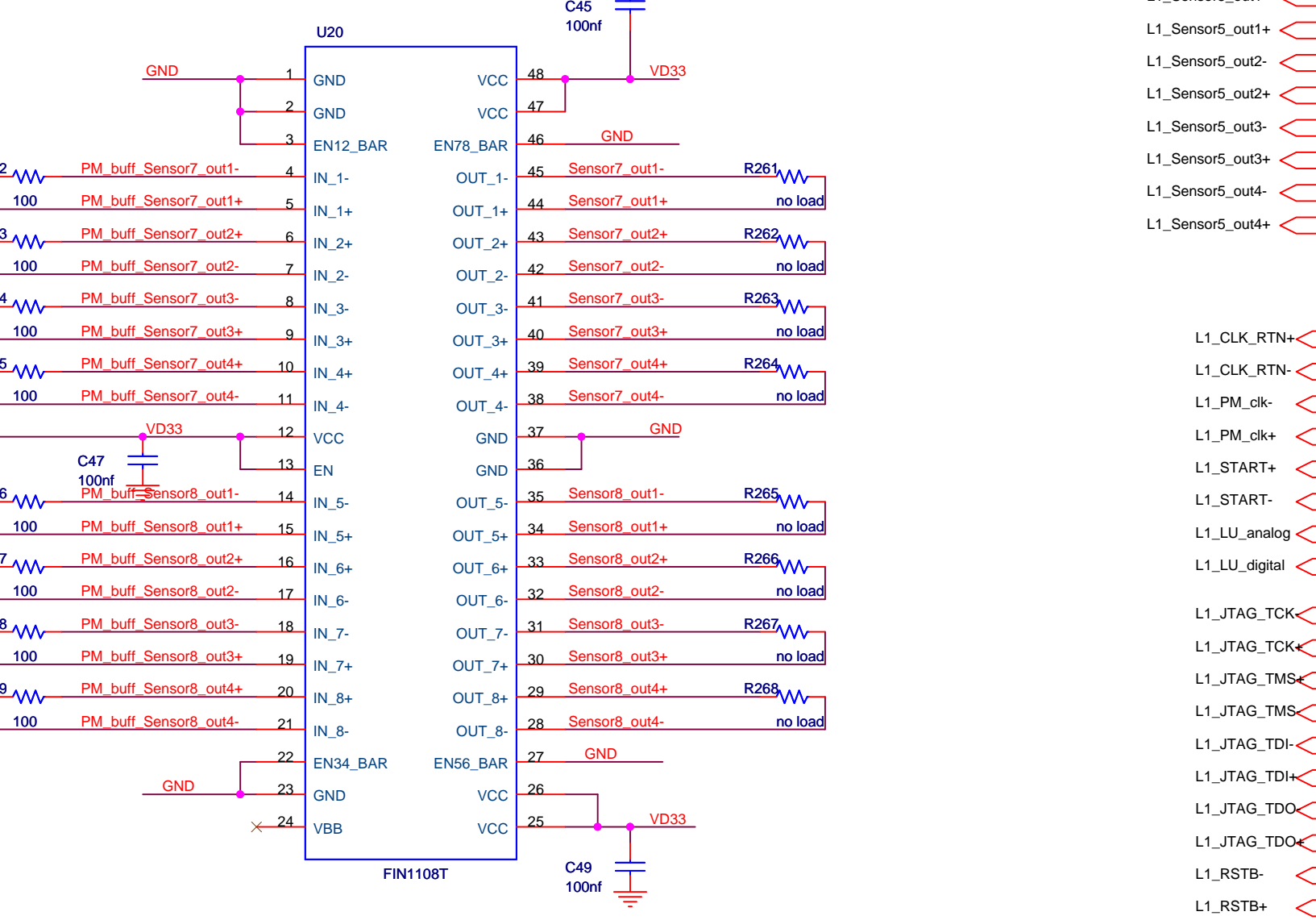
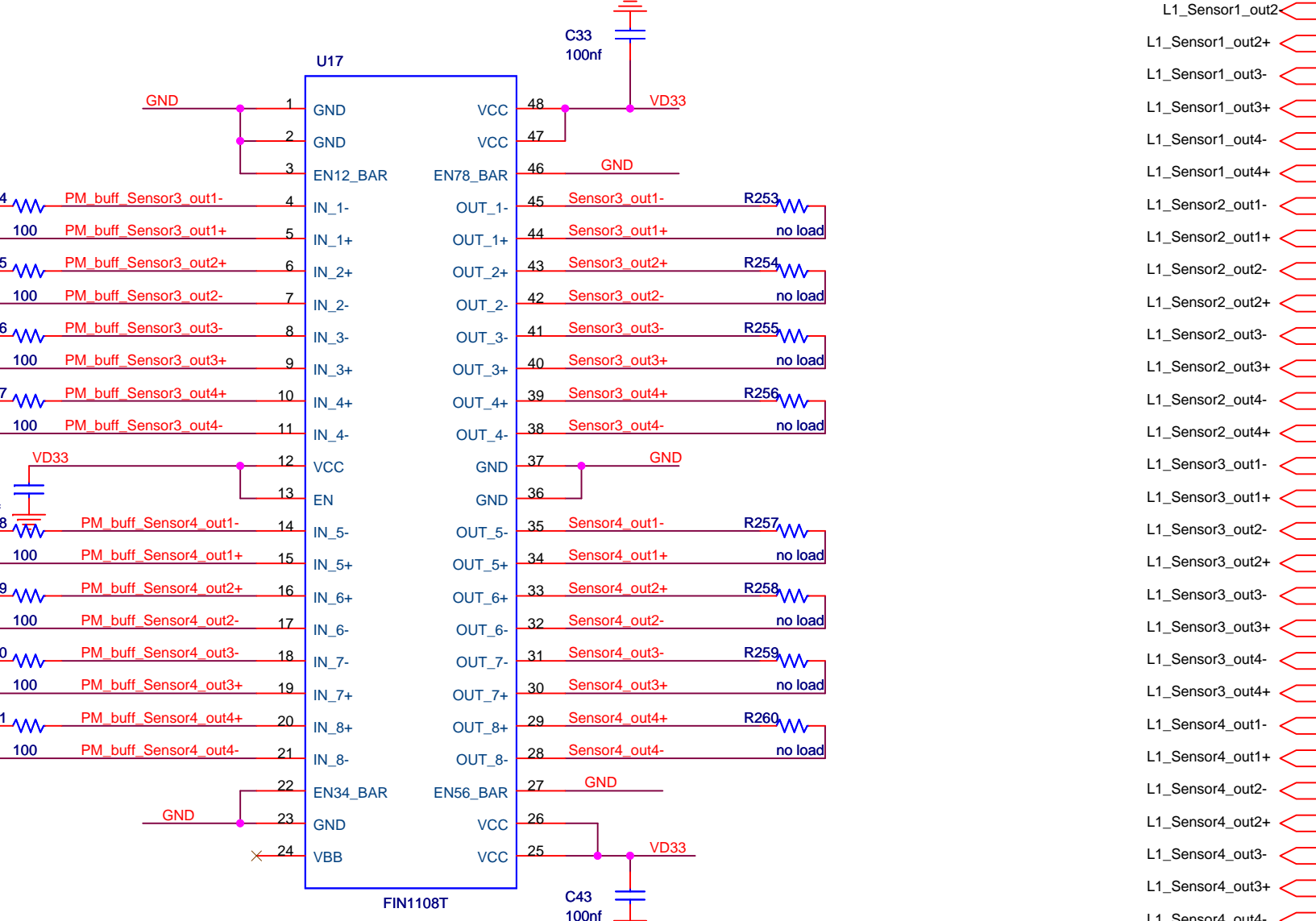
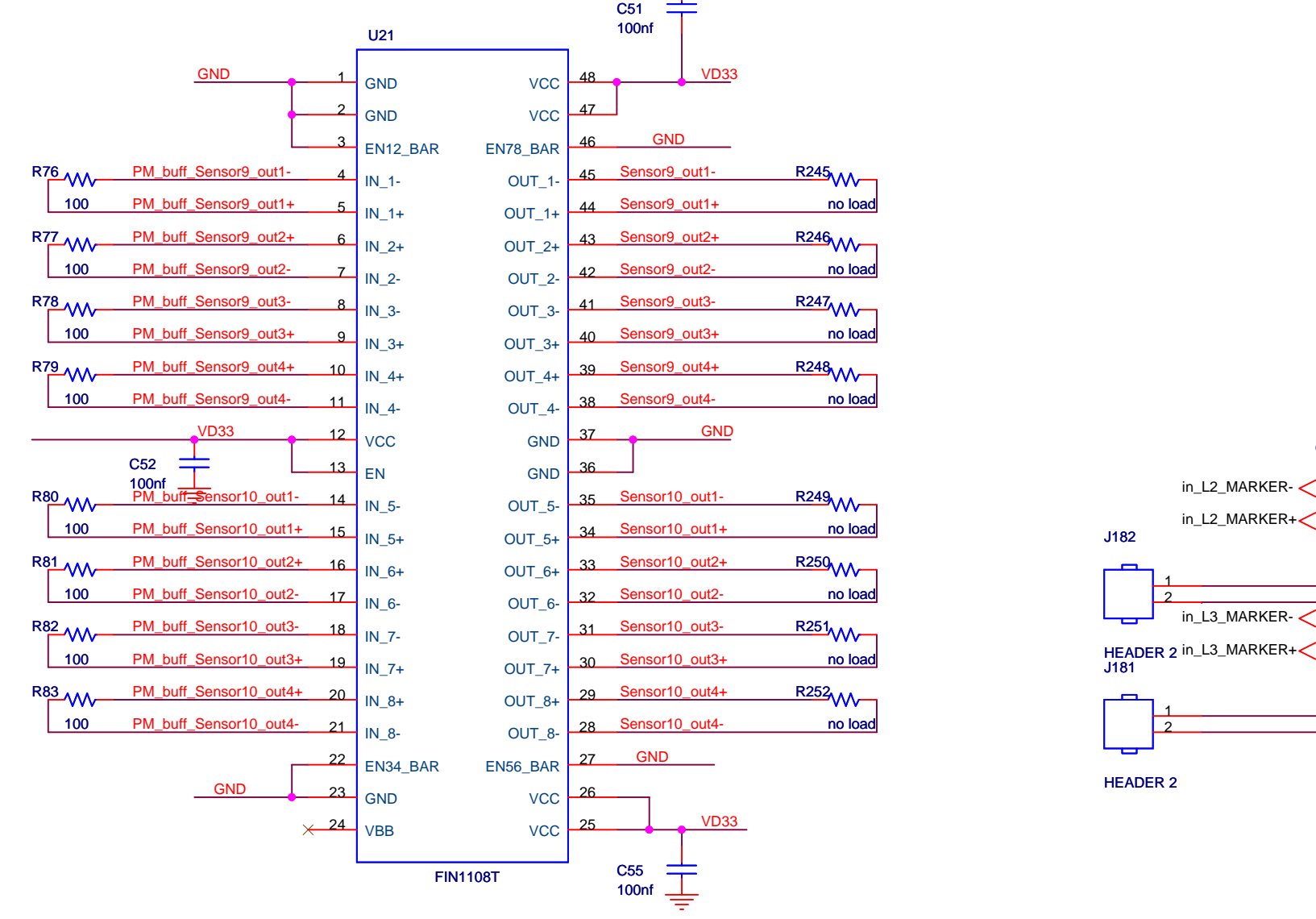
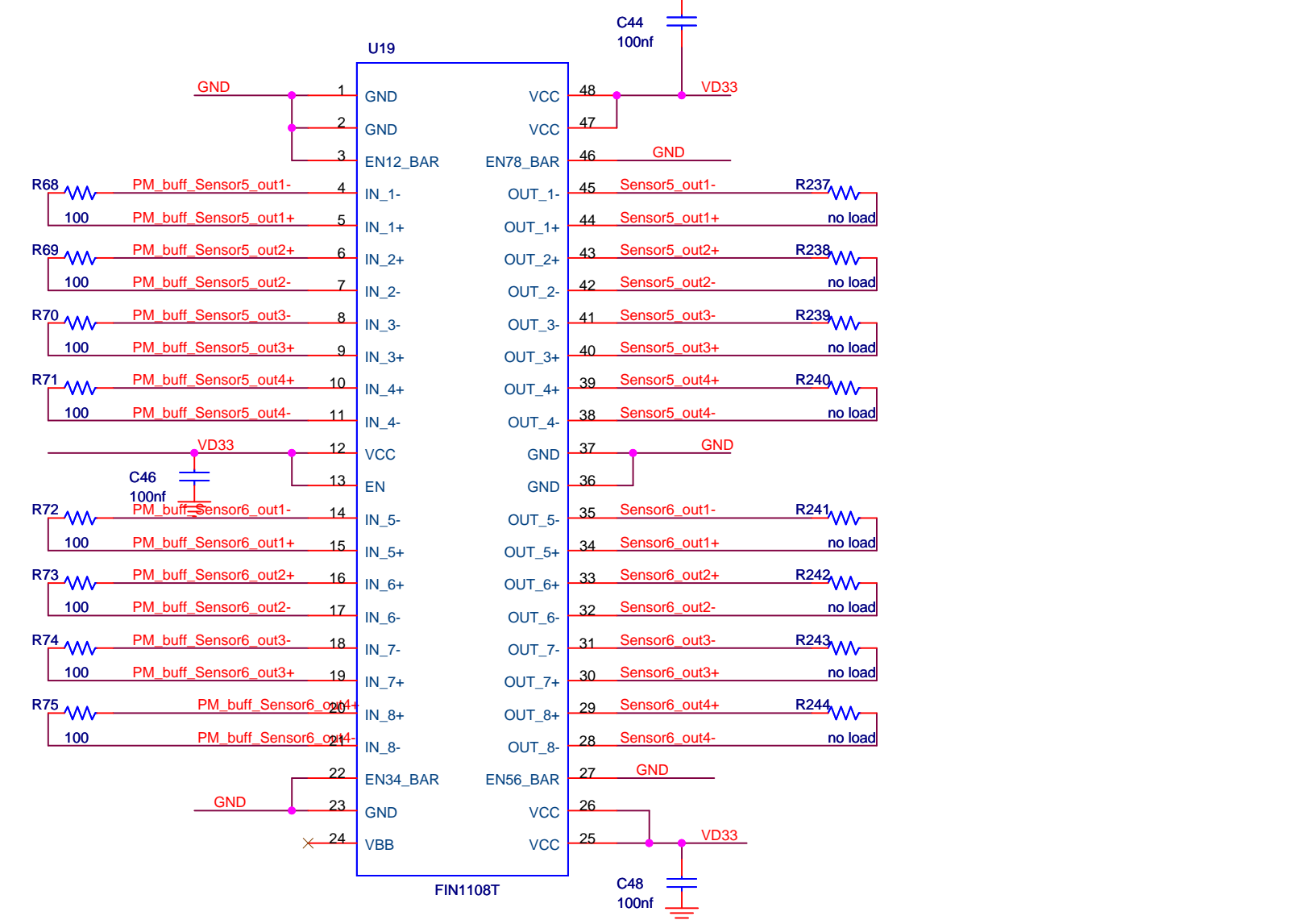
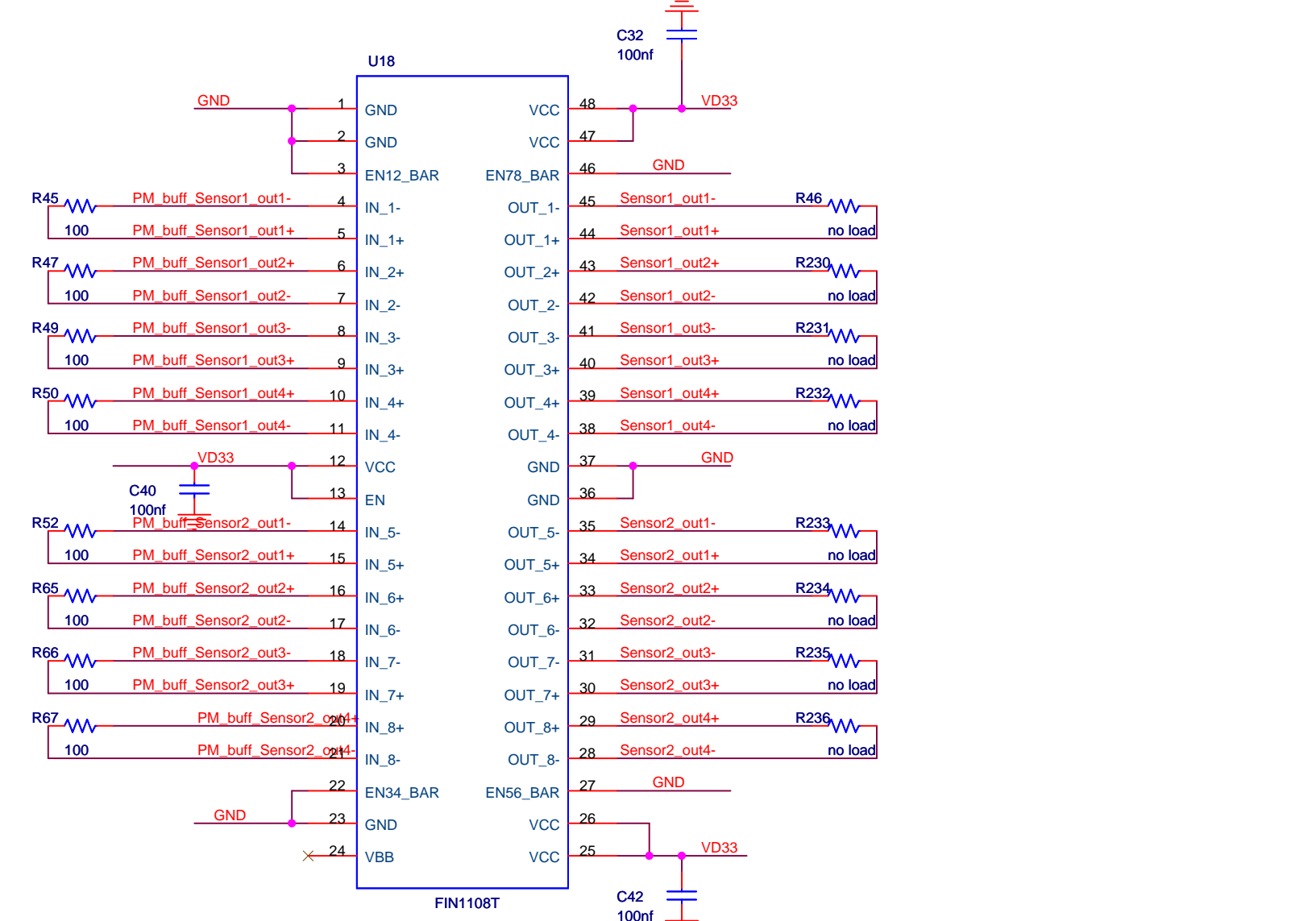
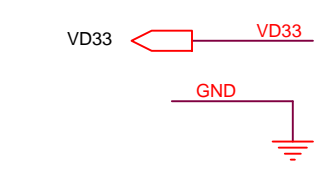
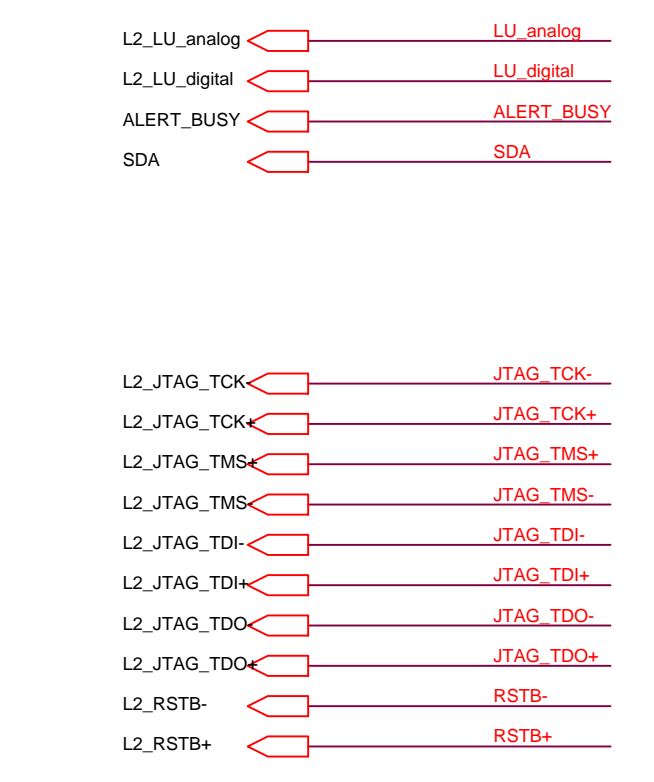
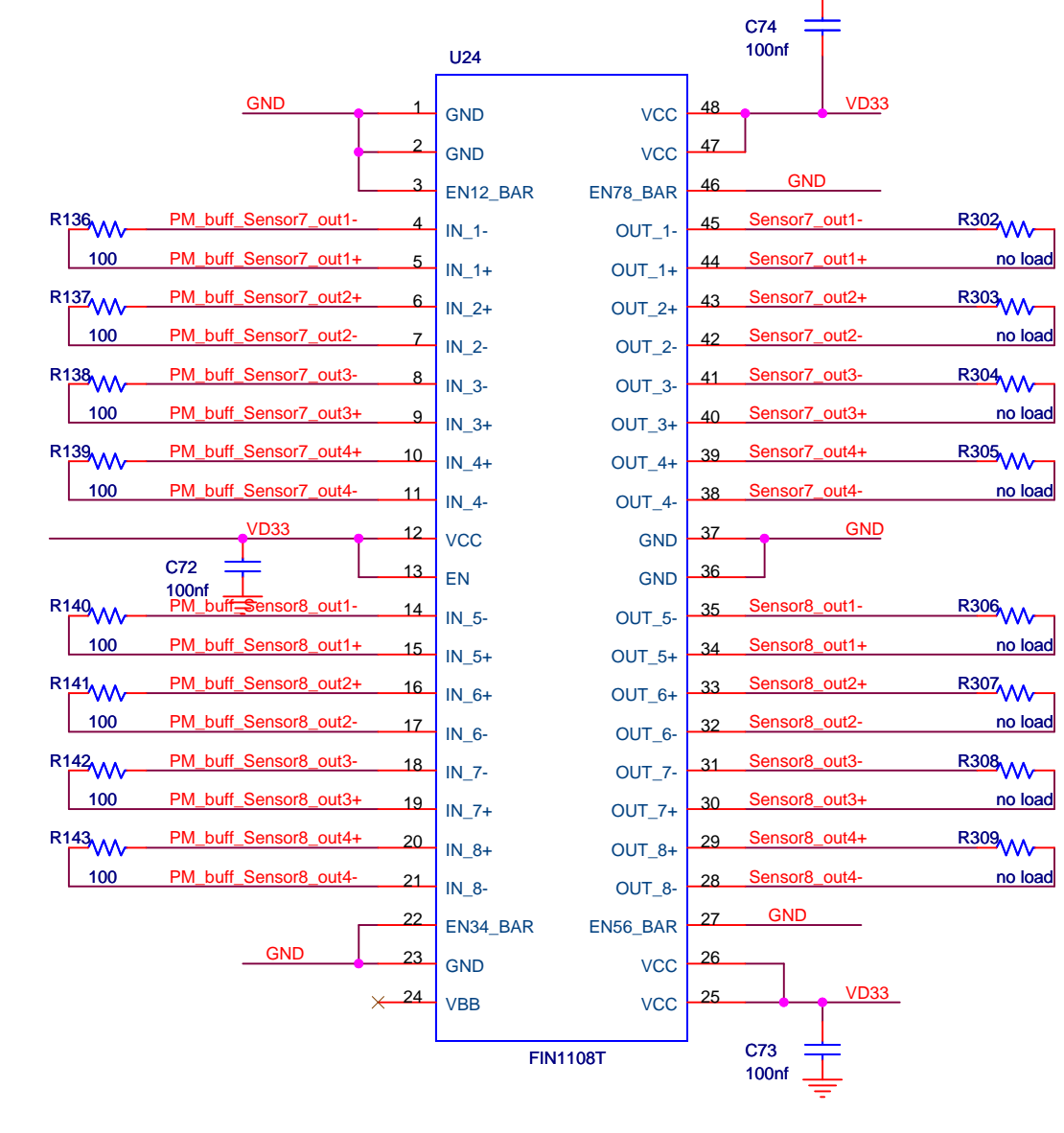
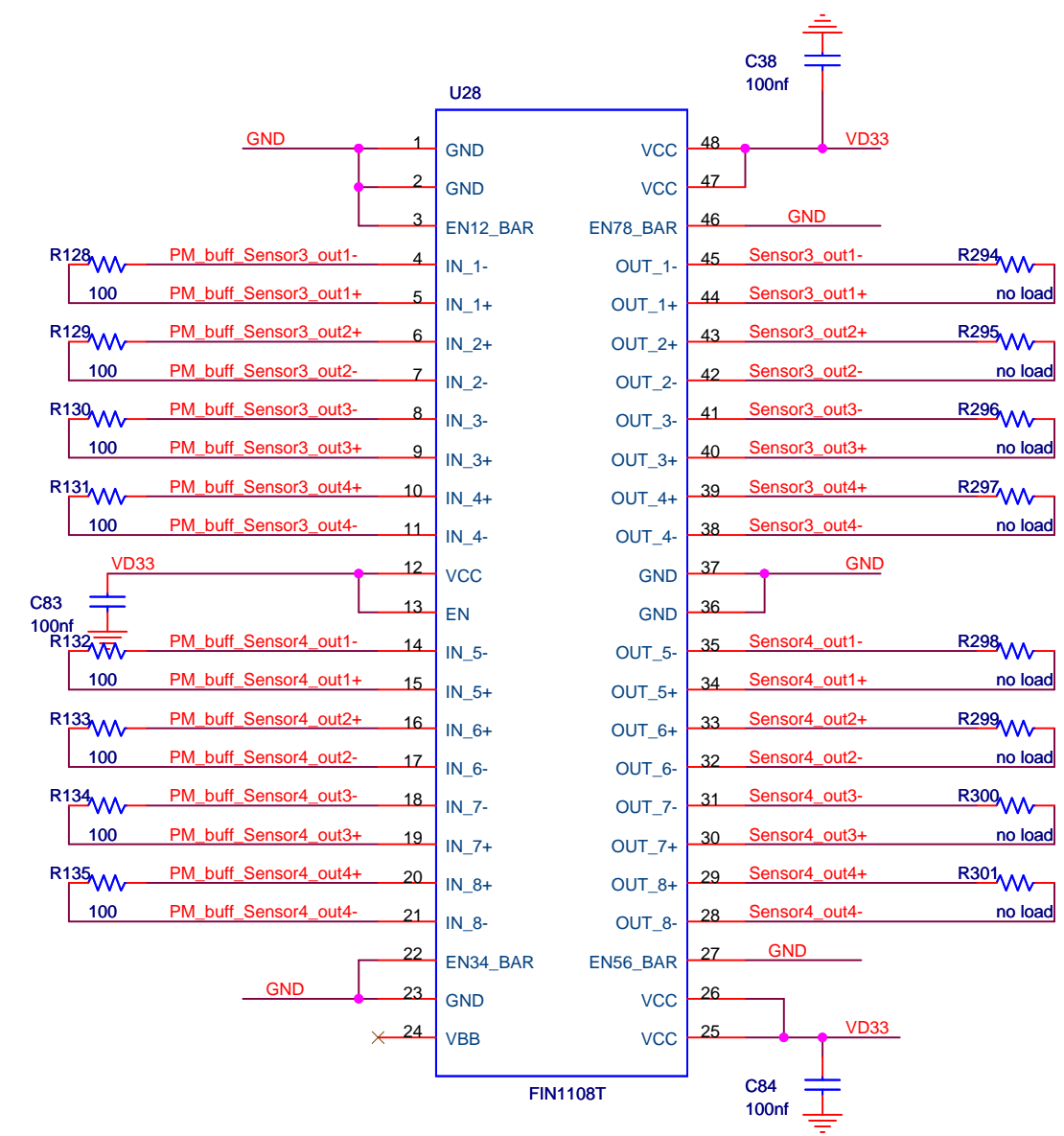
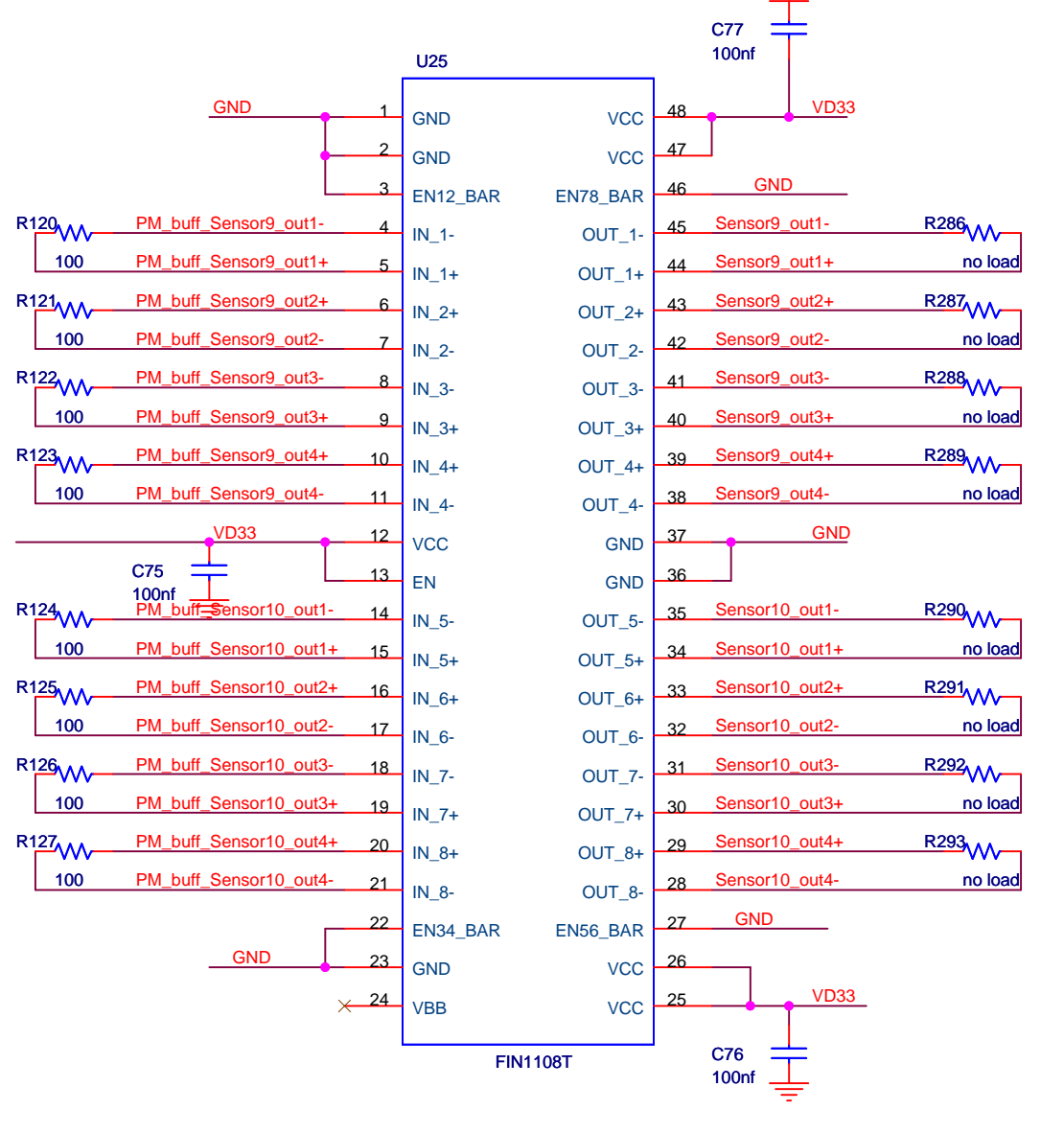
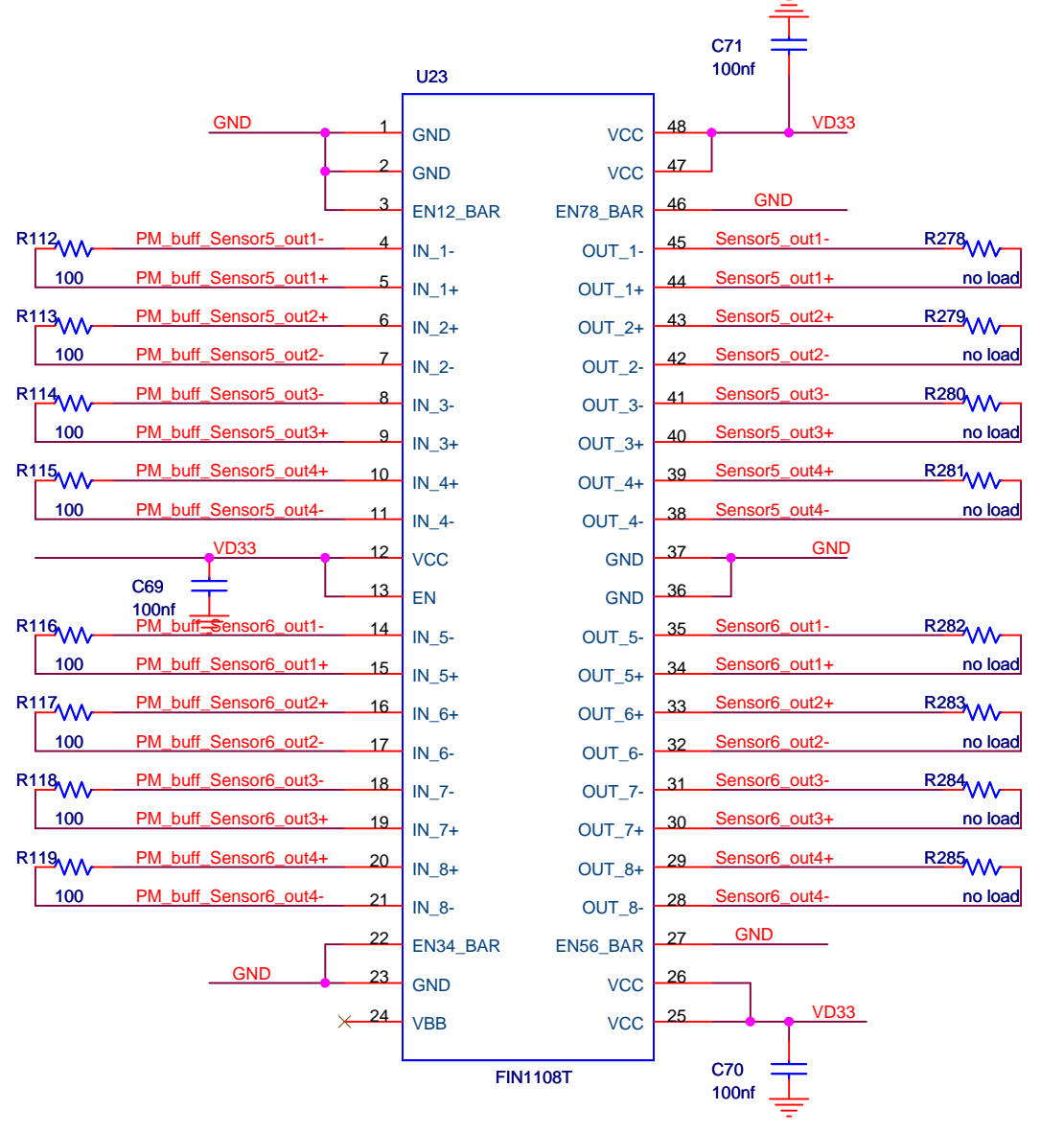
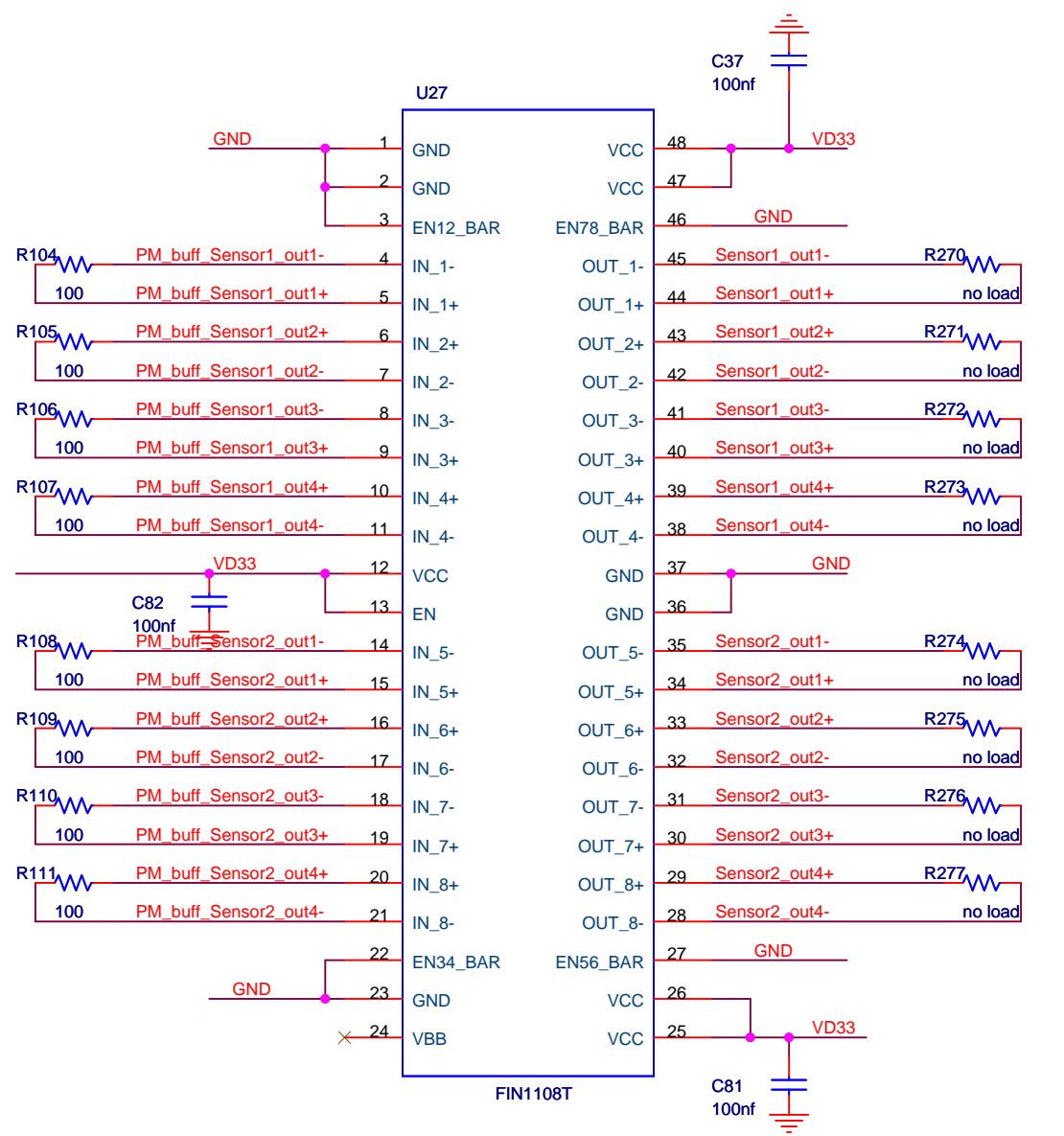
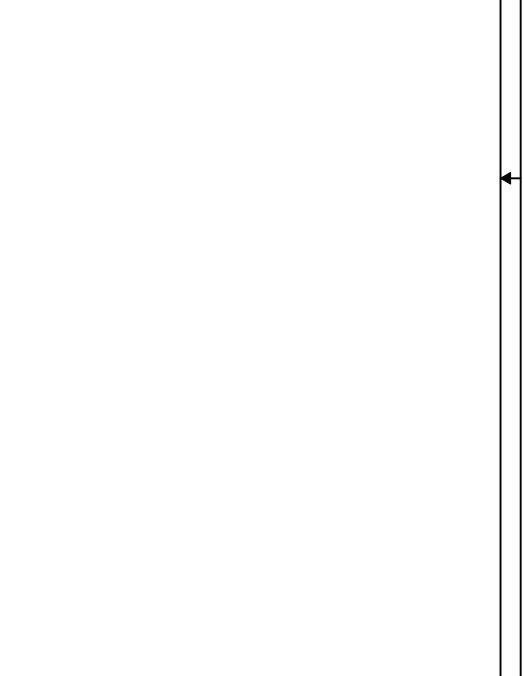
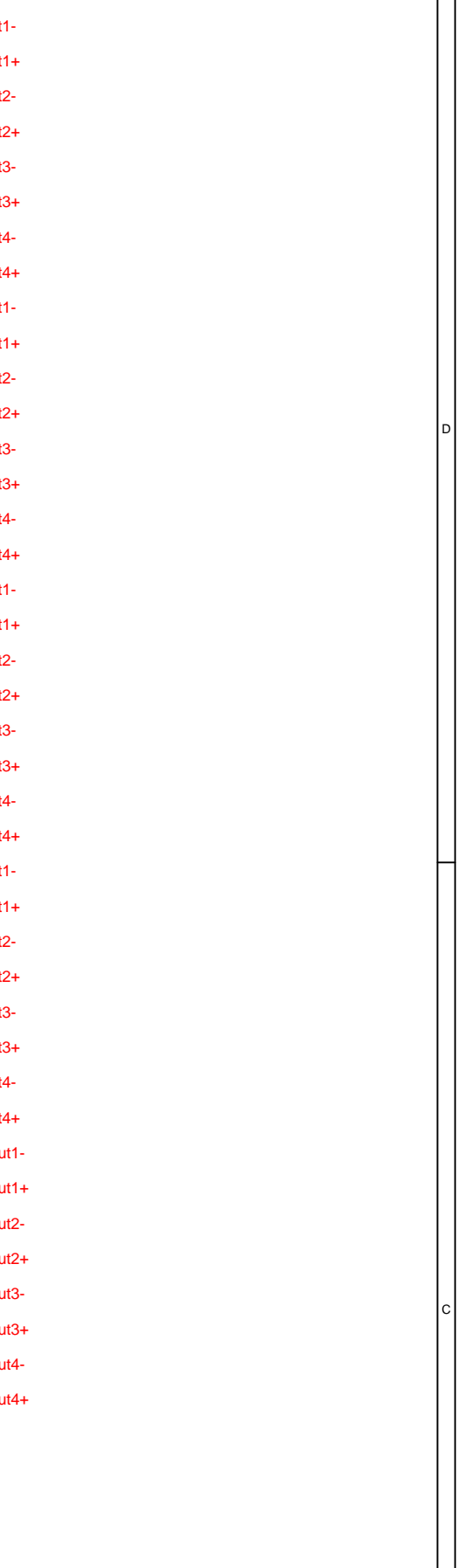
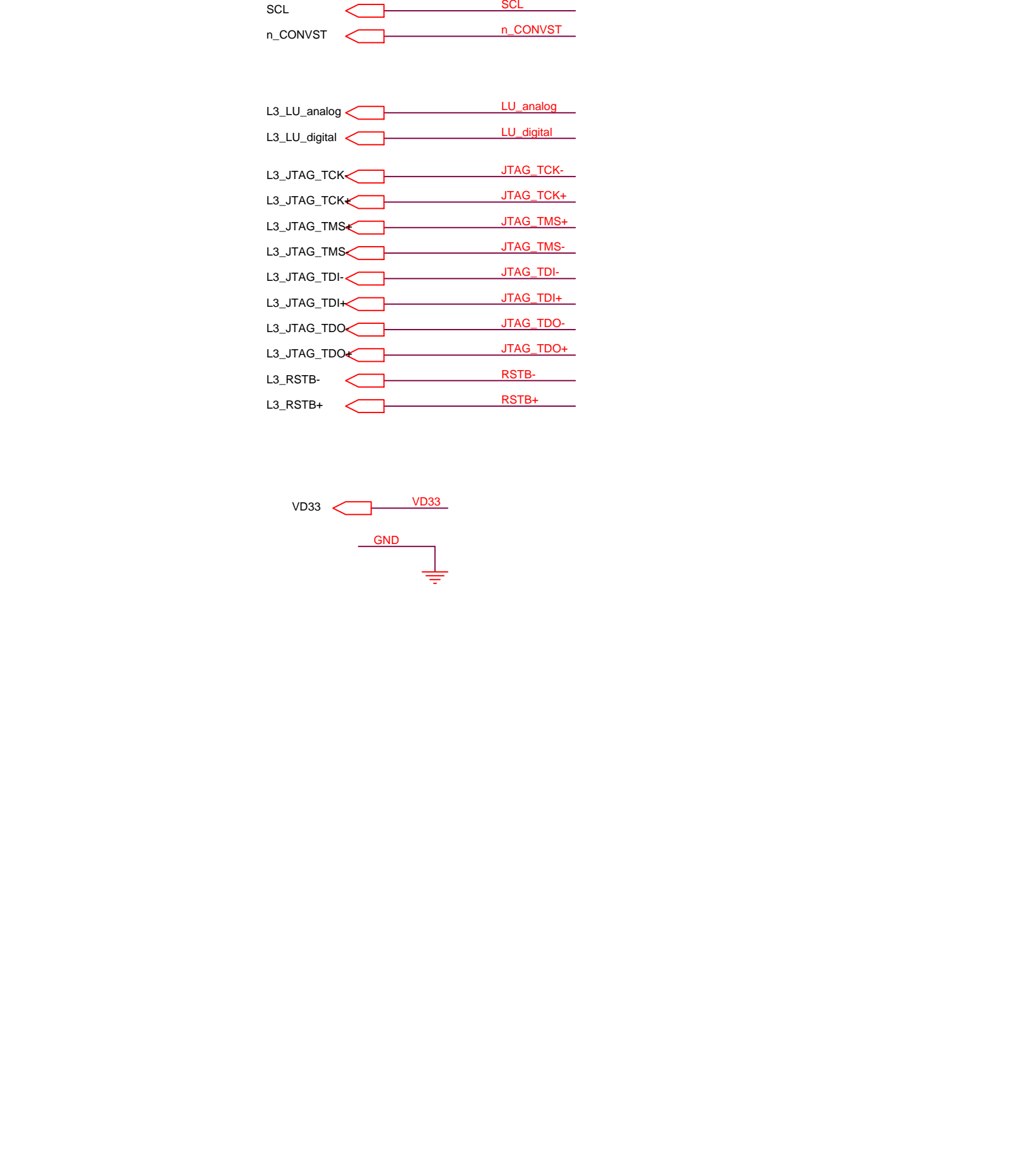
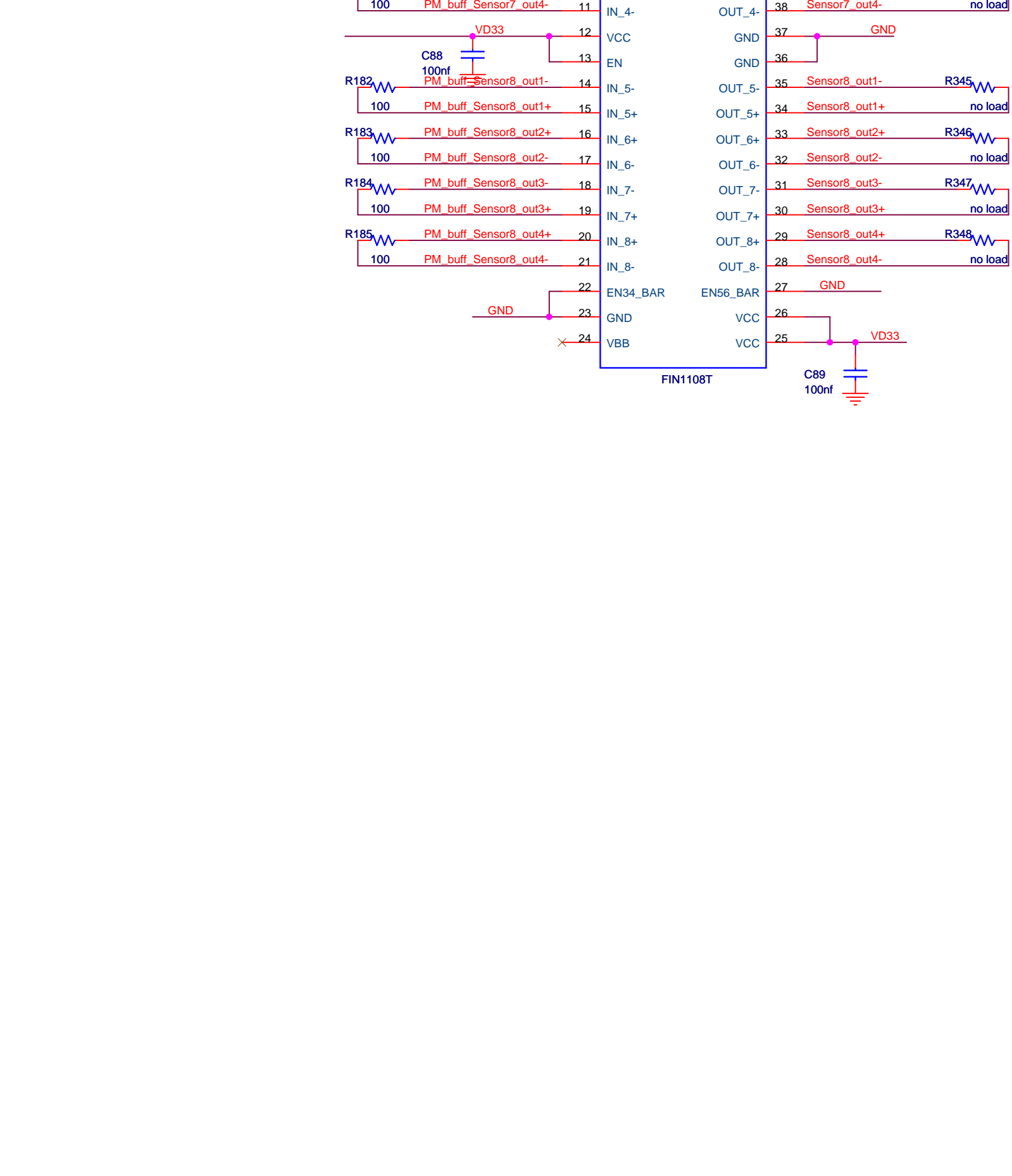
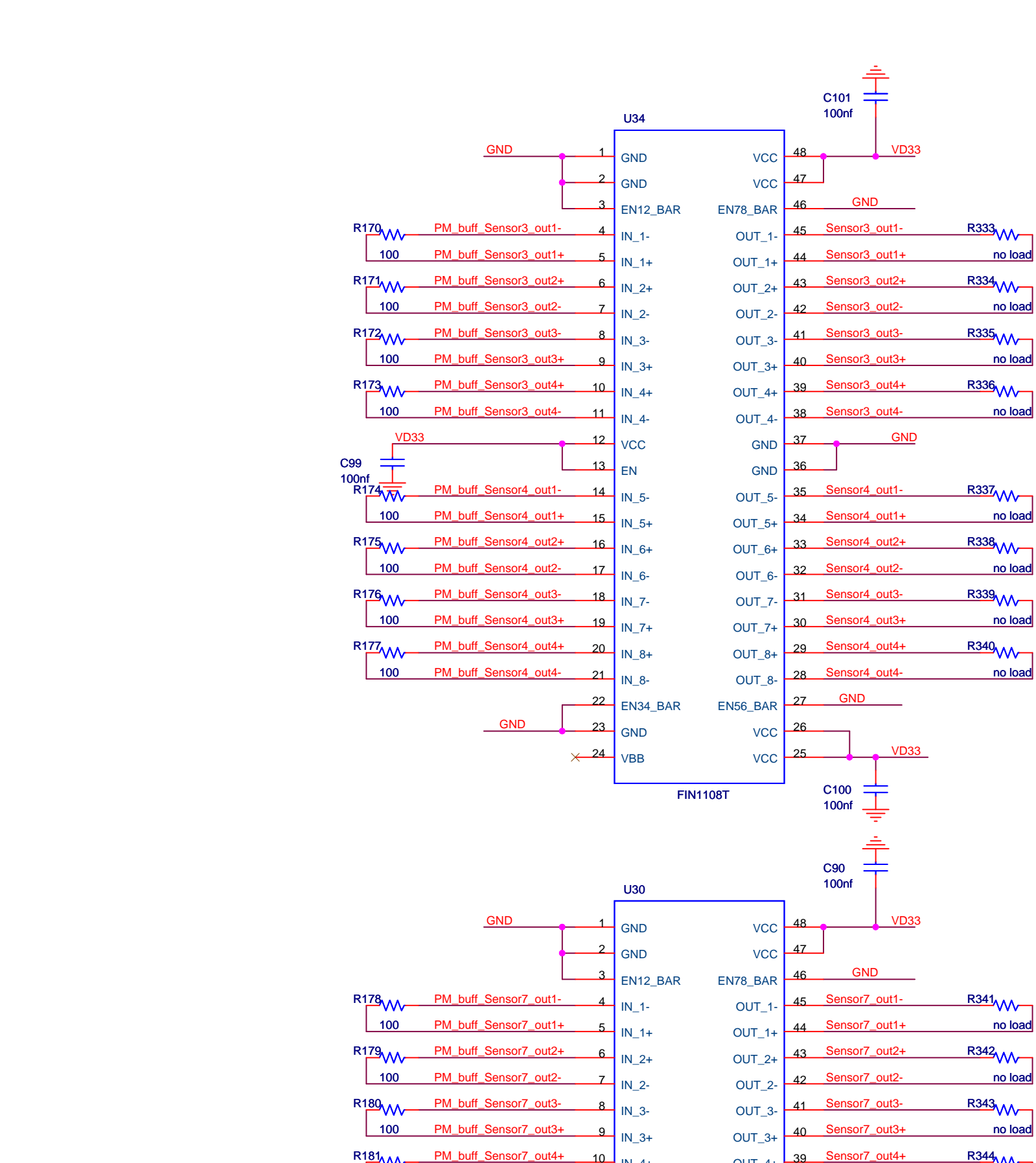
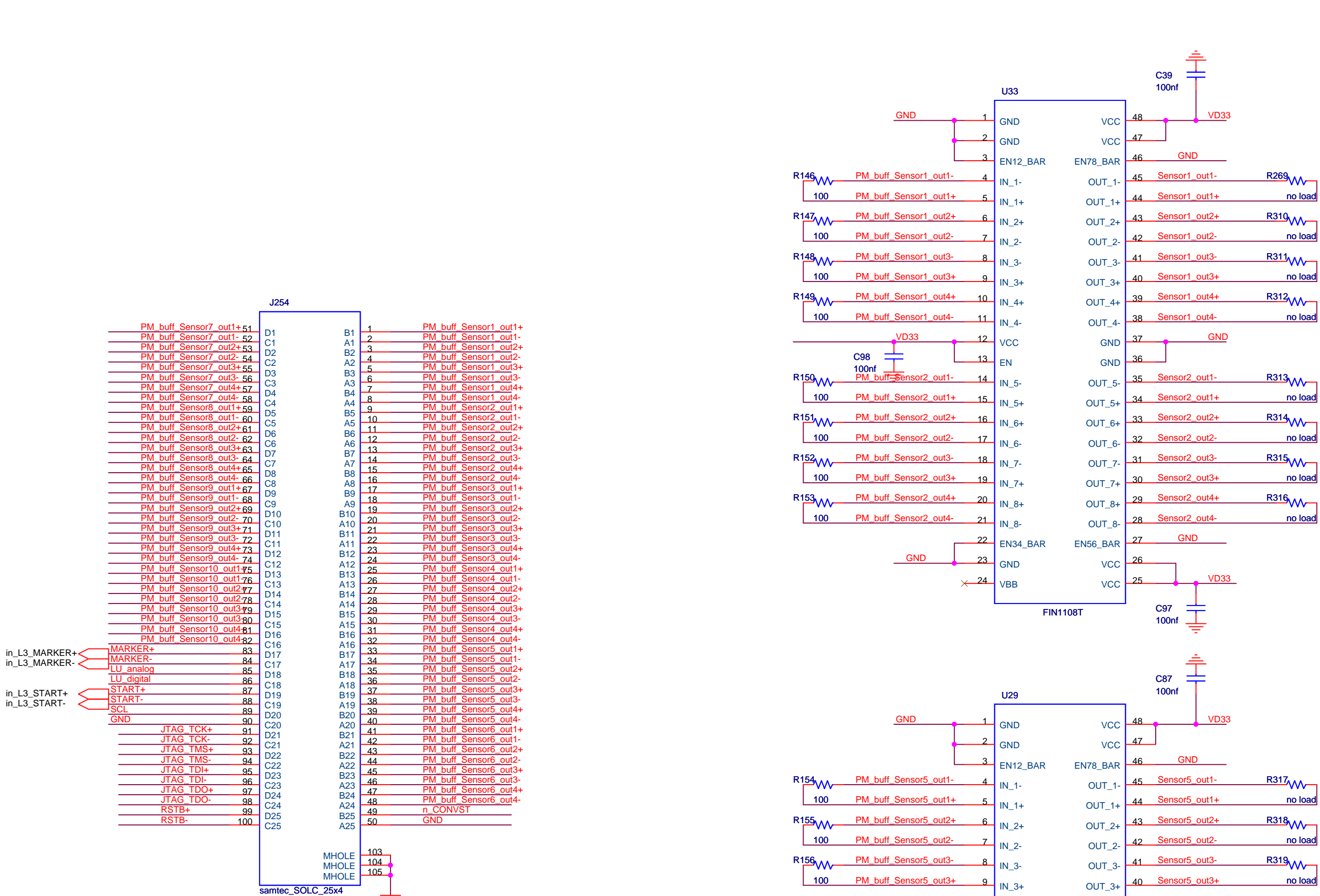


PM_buff_Sensor7_out1+	E1	1	PM_buff_Sensor1_out1+	B1	2
PM_buff_Sensor7_out1-	D1	1	PM_buff_Sensor1_out1-	A1	2
PM_buff_Sensor7_out2+	E2	3	PM_buff_Sensor1_out2+	B2	4
PM_buff_Sensor7_out2-	D2	3	PM_buff_Sensor1_out2-	A2	4
PM_buff_Sensor7_out3+	E3	5	PM_buff_Sensor1_out3+	B3	6
PM_buff_Sensor7_out3-	D3	5	PM_buff_Sensor1_out3-	A3	6
PM_buff_Sensor7_out4+	E4	7	PM_buff_Sensor1_out4+	B4	8
PM_buff_Sensor7_out4-	D4	7	PM_buff_Sensor1_out4-	A4	8
PM_buff_Sensor8_out1+	E5	9	PM_buff_Sensor2_out1+	B5	10
PM_buff_Sensor8_out1-	D5	9	PM_buff_Sensor2_out1-	A5	10
PM_buff_Sensor8_out2+	E6	11	PM_buff_Sensor2_out2+	B6	12
PM_buff_Sensor8_out2-	D6	11	PM_buff_Sensor2_out2-	A6	12
PM_buff_Sensor8_out3+	E7	13	PM_buff_Sensor2_out3+	B7	14
PM_buff_Sensor8_out3-	D7	13	PM_buff_Sensor2_out3-	A7	14
PM_buff_Sensor8_out4+	E8	15	PM_buff_Sensor2_out4+	B8	16
PM_buff_Sensor8_out4-	D8	15	PM_buff_Sensor2_out4-	A8	16
PM_buff_Sensor9_out1+	E9	17	PM_buff_Sensor3_out1+	B9	18
PM_buff_Sensor9_out1-	D9	17	PM_buff_Sensor3_out1-	A9	18
PM_buff_Sensor9_out2+	E10	19	PM_buff_Sensor3_out2+	B10	20
PM_buff_Sensor9_out2-	D10	19	PM_buff_Sensor3_out2-	A10	20
PM_buff_Sensor9_out3+	E11	21	PM_buff_Sensor3_out3+	B11	22
PM_buff_Sensor9_out3-	D11	21	PM_buff_Sensor3_out3-	A11	22
PM_buff_Sensor9_out4+	E12	23	PM_buff_Sensor3_out4+	B12	24
PM_buff_Sensor9_out4-	D12	23	PM_buff_Sensor3_out4-	A12	24
PM_buff_Sensor10_out1+	E13	25	PM_buff_Sensor4_out1+	B13	26
PM_buff_Sensor10_out1-	D13	25	PM_buff_Sensor4_out1-	A13	26
PM_buff_Sensor10_out2+	E14	27	PM_buff_Sensor4_out2+	B14	28
PM_buff_Sensor10_out2-	D14	27	PM_buff_Sensor4_out2-	A14	28
PM_buff_Sensor10_out3+	E15	29	PM_buff_Sensor4_out3+	B15	30
PM_buff_Sensor10_out3-	D15	29	PM_buff_Sensor4_out3-	A15	30
PM_buff_Sensor10_out4+	E16	31	PM_buff_Sensor4_out4+	B16	32
PM_buff_Sensor10_out4-	D16	31	PM_buff_Sensor4_out4-	A16	32
MARKER+	E17	33	PM_buff_Sensor5_out1+	B17	34
MARKER-	D17	33	PM_buff_Sensor5_out1-	A17	34
LU_analog	E18	35	PM_buff_Sensor5_out2+	B18	36
LU_digital	D18	35	PM_buff_Sensor5_out2-	A18	36
START+	E19	37	PM_buff_Sensor5_out3+	B19	38
START-	D19	37	PM_buff_Sensor5_out3-	A19	38
PM_clk+	E20	39	PM_buff_Sensor5_out4+	B20	40
PM_clk-	D20	39	PM_buff_Sensor5_out4-	A20	40
JTAG_TCK	E21	41	PM_buff_Sensor6_out1+	B21	42
JTAG_TCK-	D21	41	PM_buff_Sensor6_out1-	A21	42
JTAG_TMS+	E22	43	PM_buff_Sensor6_out2+	B22	44
JTAG_TMS-	D22	43	PM_buff_Sensor6_out2-	A22	44
JTAG_TDI+	E23	45	PM_buff_Sensor6_out3+	B23	46
JTAG_TDI-	D23	45	PM_buff_Sensor6_out3-	A23	46
JTAG_TDO+	E24	47	PM_buff_Sensor6_out4+	B24	48
JTAG_TDO-	D24	47	PM_buff_Sensor6_out4-	A24	48
RSTB+	E25	49	CLK_RTN+	B25	50
RSTB-	D25	49	CLK_RTN-	A25	50
WHOLE	103	103			
WHOLE	104	104			
WHOLE	105	105			

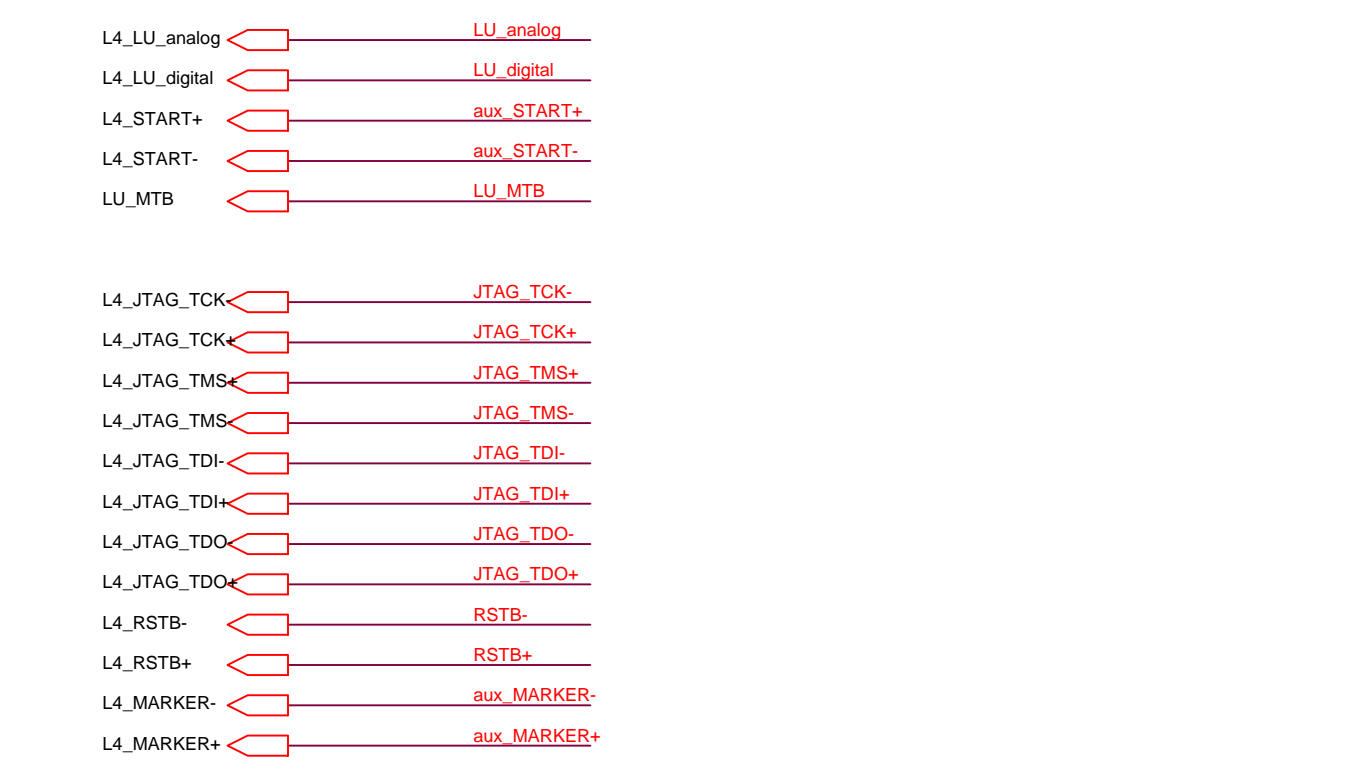
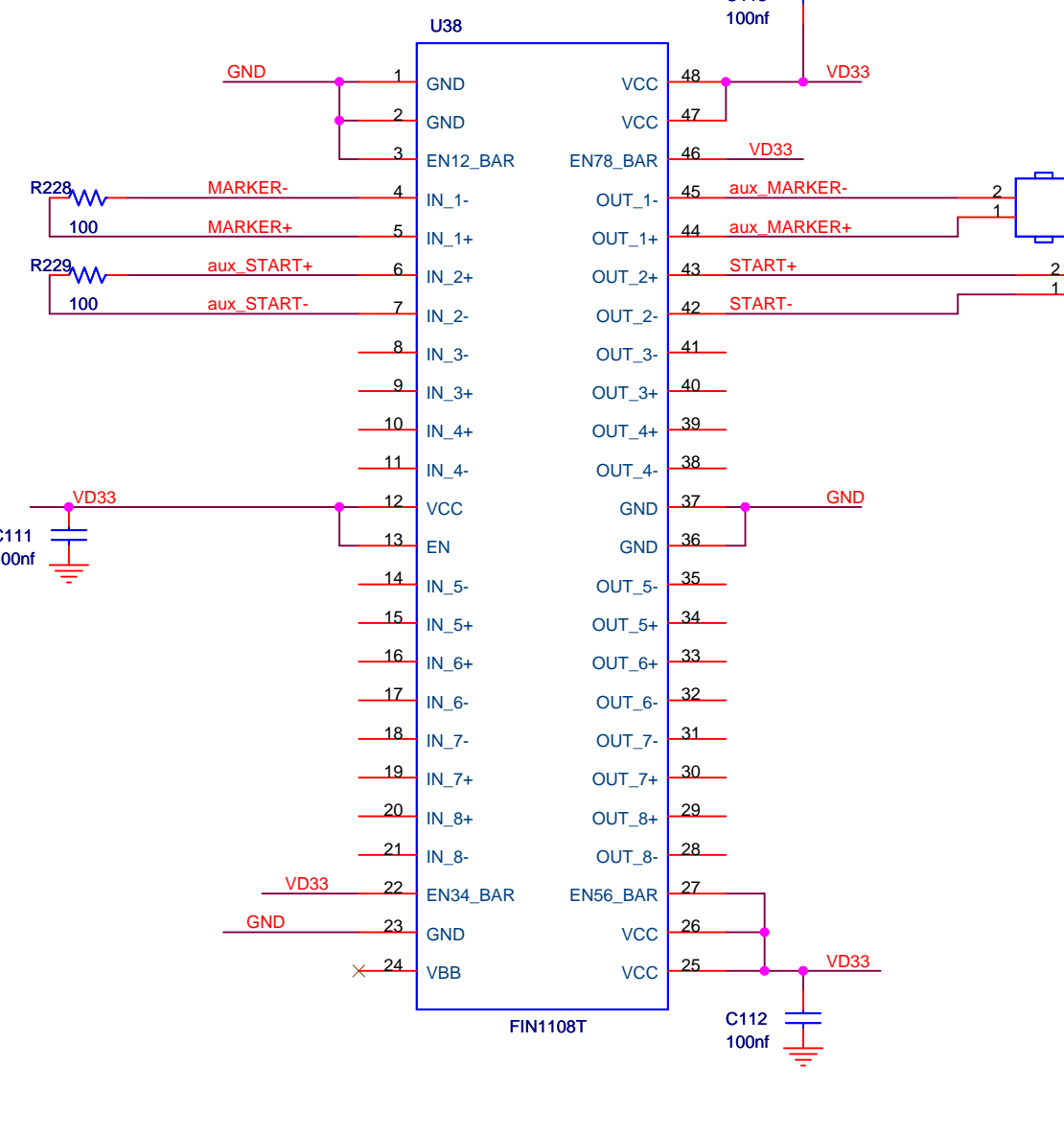
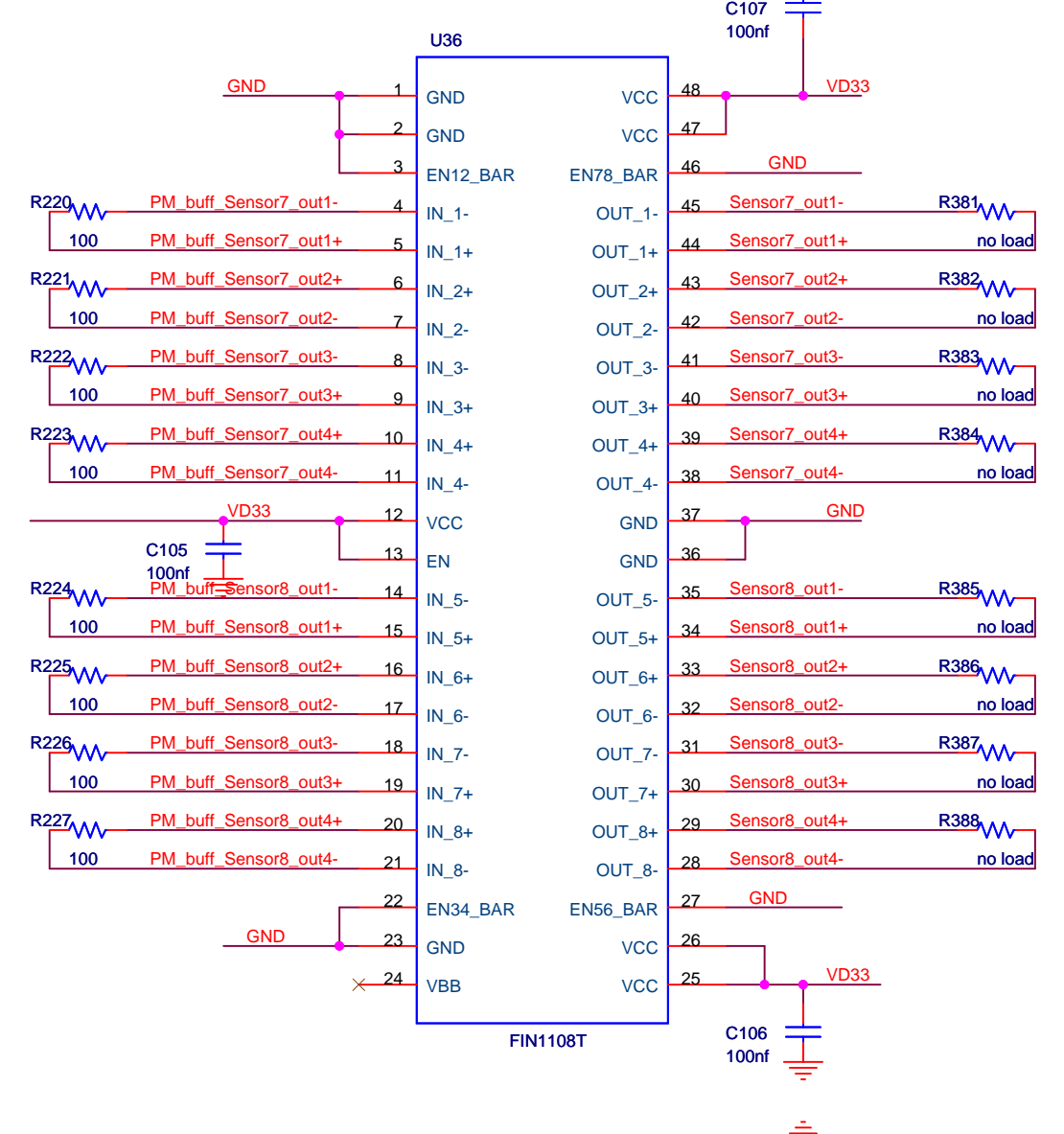
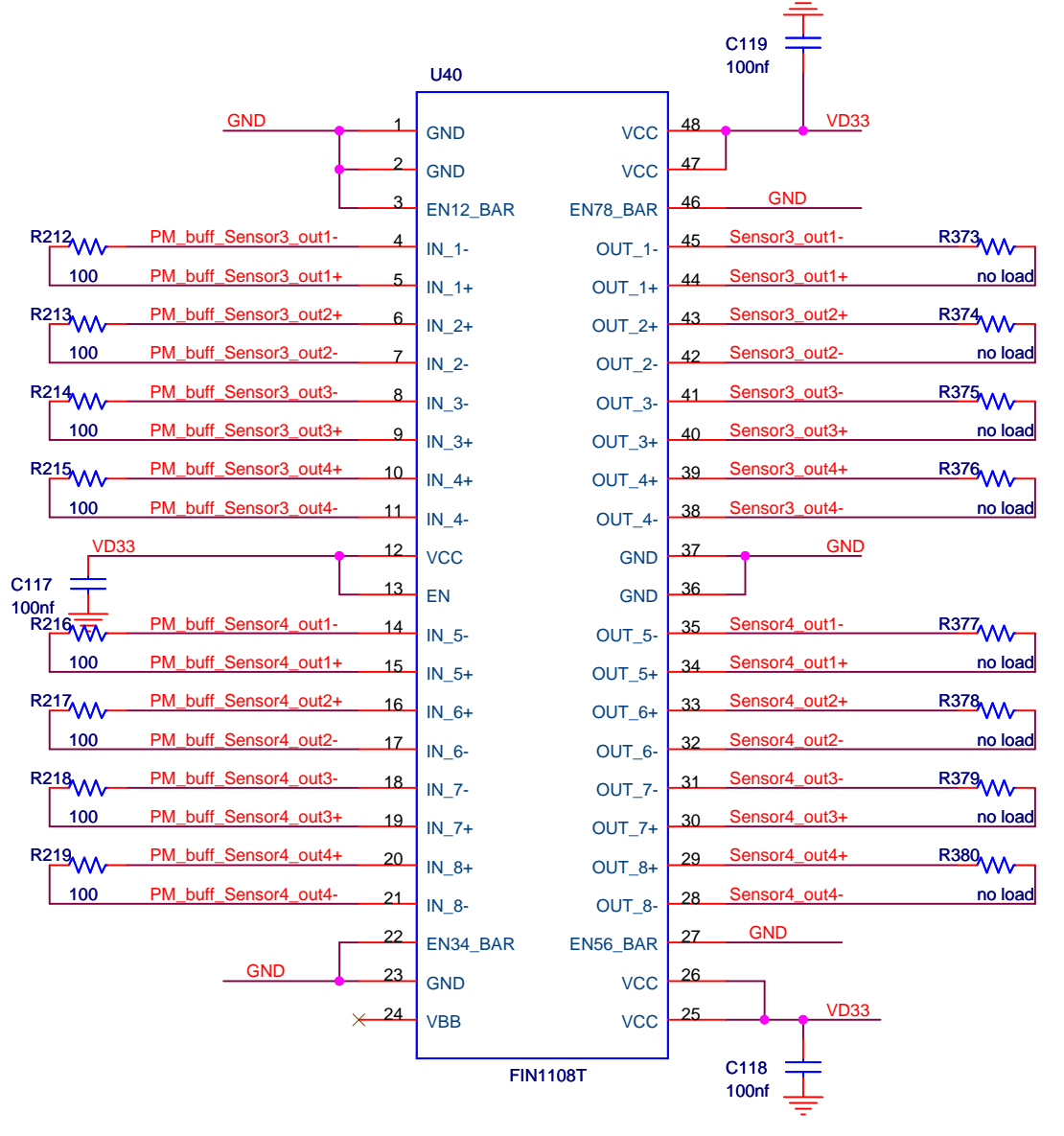
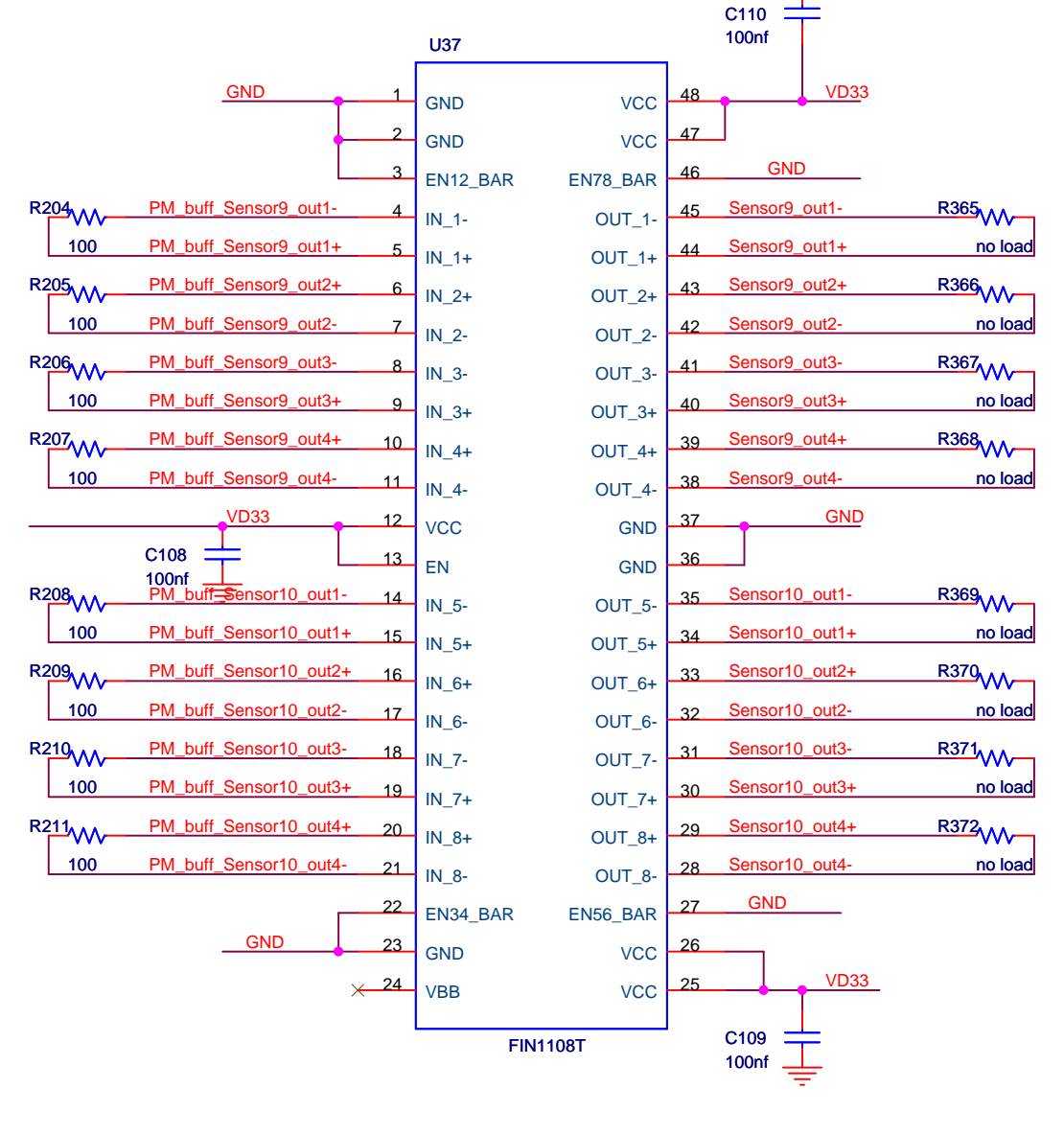
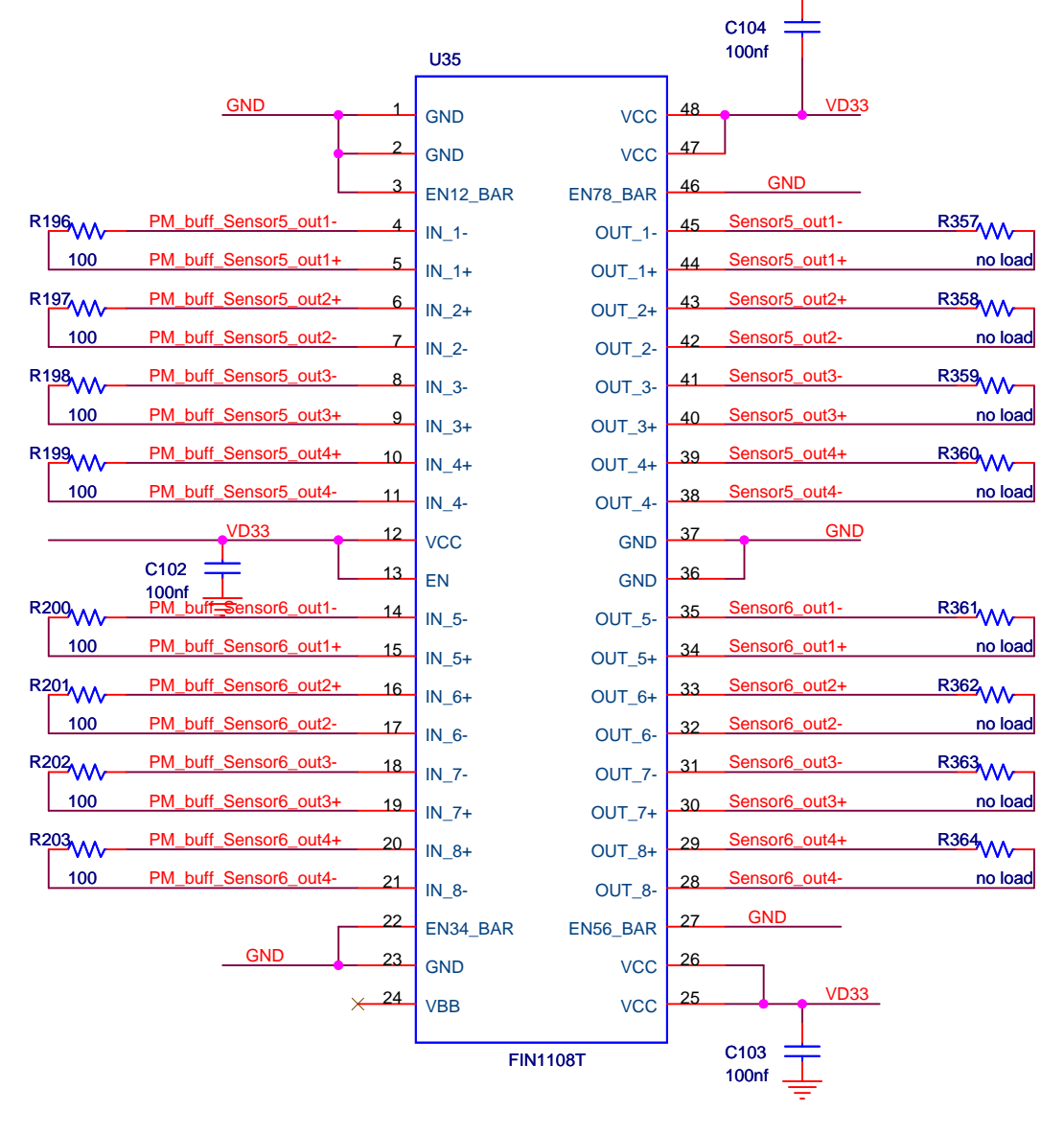
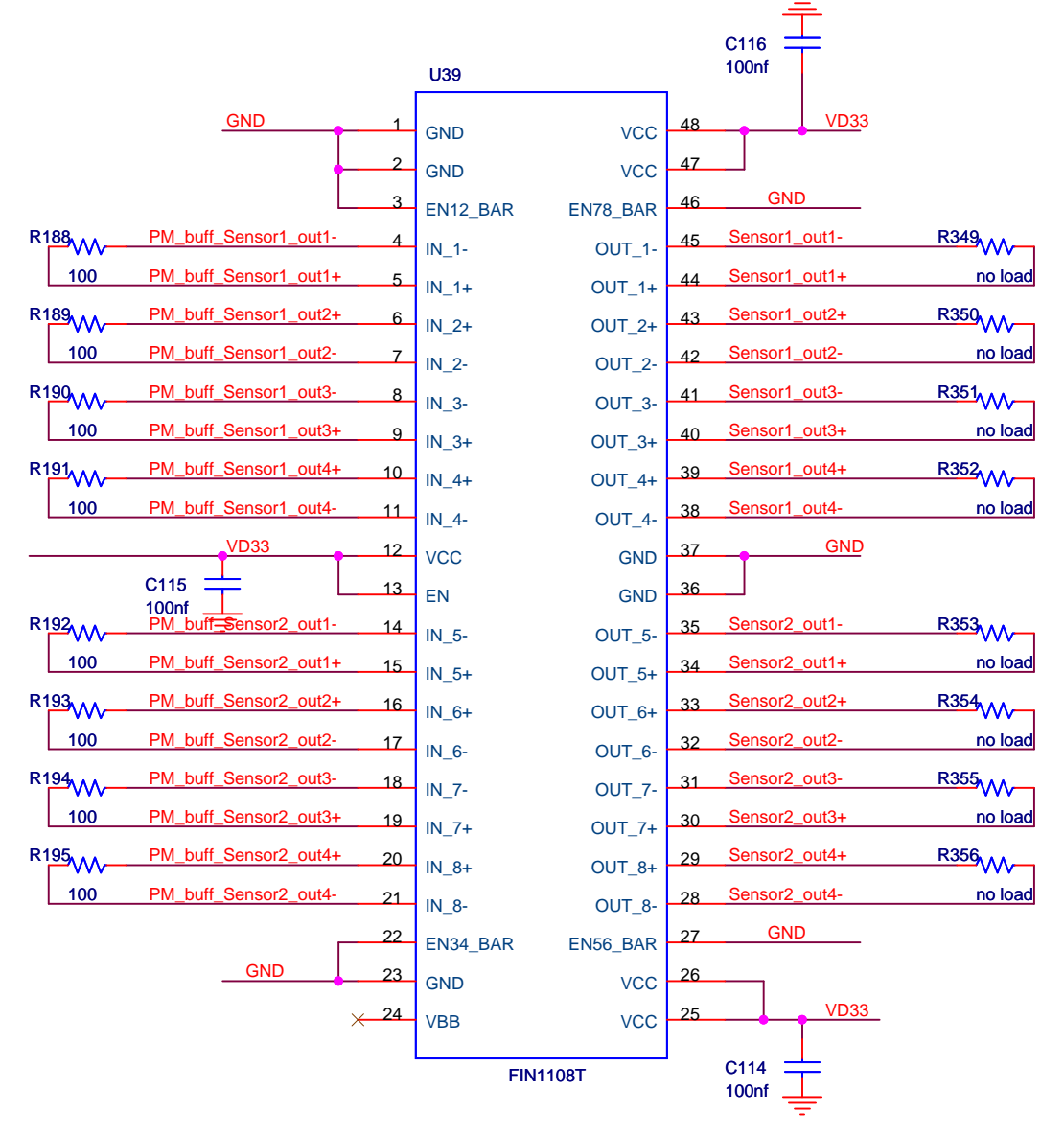
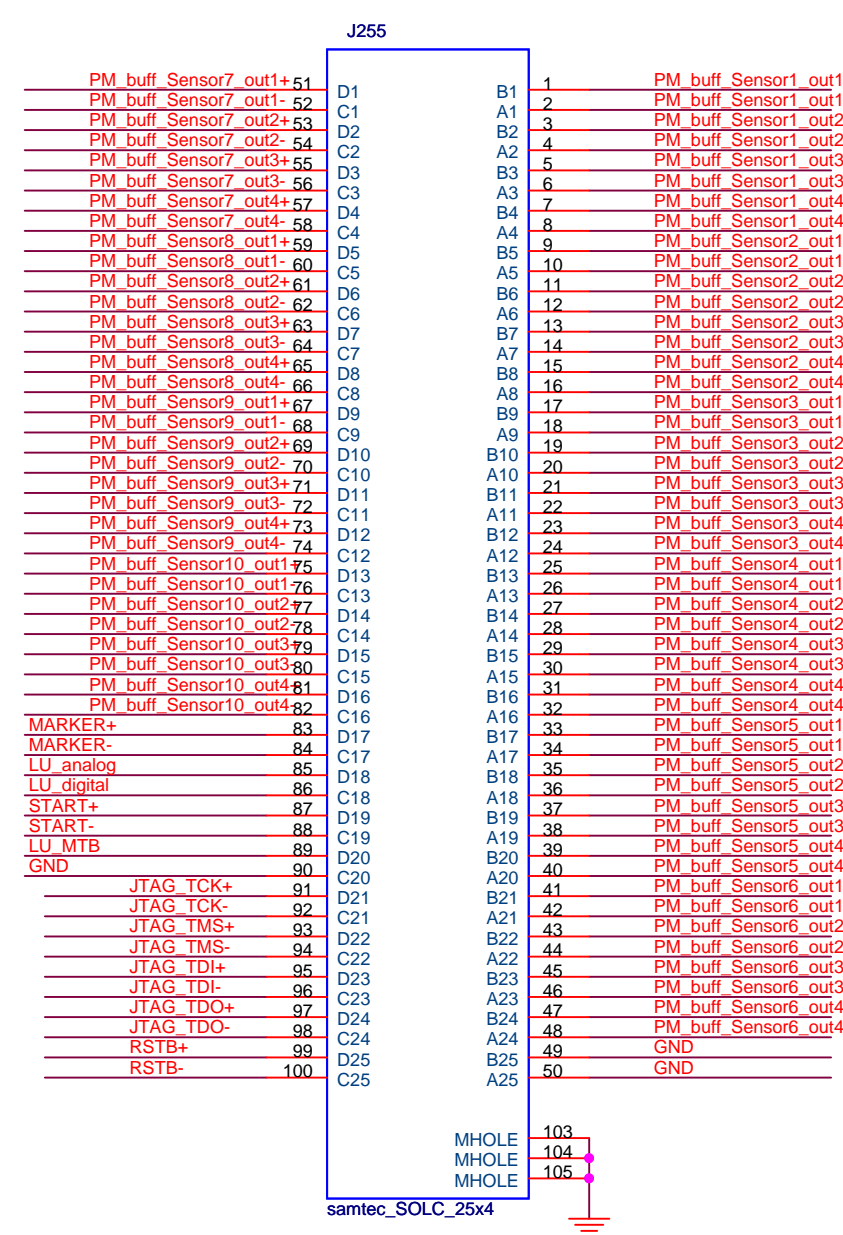


PM_buff_Sensor7_out1+51	D1	B1	1	PM_buff_Sensor1_out1+
PM_buff_Sensor7_out1-52	C1	B1	2	PM_buff_Sensor1_out1-
PM_buff_Sensor7_out2+53	C1	B1	3	PM_buff_Sensor1_out2+
PM_buff_Sensor7_out2-54	C2	A2	4	PM_buff_Sensor1_out2-
PM_buff_Sensor7_out3+55	C3	B3	5	PM_buff_Sensor1_out3+
PM_buff_Sensor7_out3-56	C3	A3	6	PM_buff_Sensor1_out3-
PM_buff_Sensor7_out4+57	C4	B4	7	PM_buff_Sensor1_out4+
PM_buff_Sensor7_out4-58	C4	A4	8	PM_buff_Sensor1_out4-
PM_buff_Sensor8_out1+59	C5	B5	9	PM_buff_Sensor2_out1+
PM_buff_Sensor8_out1-60	C5	A5	10	PM_buff_Sensor2_out1-
PM_buff_Sensor8_out2+61	C6	B6	11	PM_buff_Sensor2_out2+
PM_buff_Sensor8_out2-62	C6	A6	12	PM_buff_Sensor2_out2-
PM_buff_Sensor8_out3+63	C7	B7	13	PM_buff_Sensor2_out3+
PM_buff_Sensor8_out3-64	C7	A7	14	PM_buff_Sensor2_out3-
PM_buff_Sensor8_out4+65	C8	B8	15	PM_buff_Sensor2_out4+
PM_buff_Sensor8_out4-66	C8	A8	16	PM_buff_Sensor2_out4-
PM_buff_Sensor9_out1+67	C9	B9	17	PM_buff_Sensor3_out1+
PM_buff_Sensor9_out1-68	C9	A9	18	PM_buff_Sensor3_out1-
PM_buff_Sensor9_out2+69	C10	B10	19	PM_buff_Sensor3_out2+
PM_buff_Sensor9_out2-70	C10	A10	20	PM_buff_Sensor3_out2-
PM_buff_Sensor9_out3+71	C11	B11	21	PM_buff_Sensor3_out3+
PM_buff_Sensor9_out3-72	C11	A11	22	PM_buff_Sensor3_out3-
PM_buff_Sensor9_out4+73	C12	B12	23	PM_buff_Sensor3_out4+
PM_buff_Sensor9_out4-74	C12	A12	24	PM_buff_Sensor3_out4-
PM_buff_Sensor10_out1+75	C13	B13	25	PM_buff_Sensor4_out1+
PM_buff_Sensor10_out1-76	C13	A13	26	PM_buff_Sensor4_out1-
PM_buff_Sensor10_out2+77	C14	B14	27	PM_buff_Sensor4_out2+
PM_buff_Sensor10_out2-78	C14	A14	28	PM_buff_Sensor4_out2-
PM_buff_Sensor10_out3+79	C15	B15	29	PM_buff_Sensor4_out3+
PM_buff_Sensor10_out3-80	C15	A15	30	PM_buff_Sensor4_out3-
PM_buff_Sensor10_out4+81	C16	B16	31	PM_buff_Sensor4_out4+
PM_buff_Sensor10_out4-82	C16	A16	32	PM_buff_Sensor4_out4-
MARKER+83	C17	B17	33	PM_buff_Sensor5_out1+
MARKER-84	C17	A17	34	PM_buff_Sensor5_out1-
LU_analog85	C18	B18	35	PM_buff_Sensor5_out2+
LU_digital86	C18	A18	36	PM_buff_Sensor5_out2-
START+87	C19	B19	37	PM_buff_Sensor5_out3+
START-88	C19	A19	38	PM_buff_Sensor5_out3-
ALERT_BUSY89	C20	B20	39	PM_buff_Sensor5_out4+
ALERT_BUSY-90	C20	A20	40	PM_buff_Sensor5_out4-
JTAG_TCK+91	C21	B21	41	PM_buff_Sensor6_out1+
JTAG_TCK-92	C21	A21	42	PM_buff_Sensor6_out1-
JTAG_TMS+93	C22	B22	43	PM_buff_Sensor6_out2+
JTAG_TMS-94	C22	A22	44	PM_buff_Sensor6_out2-
JTAG_TDI+95	C23	B23	45	PM_buff_Sensor6_out3+
JTAG_TDI-96	C23	A23	46	PM_buff_Sensor6_out3-
JTAG_TDO+97	C24	B24	47	PM_buff_Sensor6_out4+
JTAG_TDO-98	C24	A24	48	PM_buff_Sensor6_out4-
RSTB+99	C25	B25	49	SDA
RSTB-100	C25	A25	50	GND

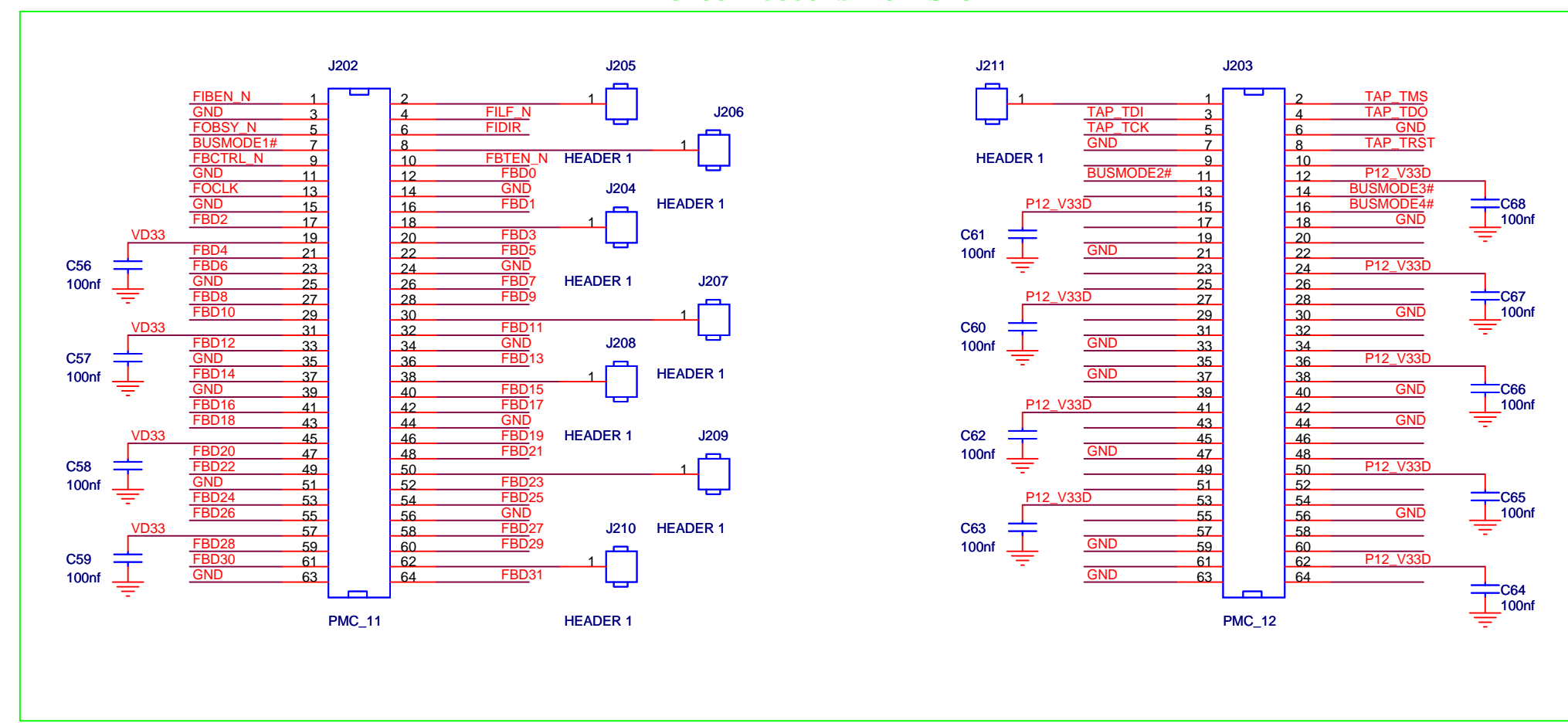




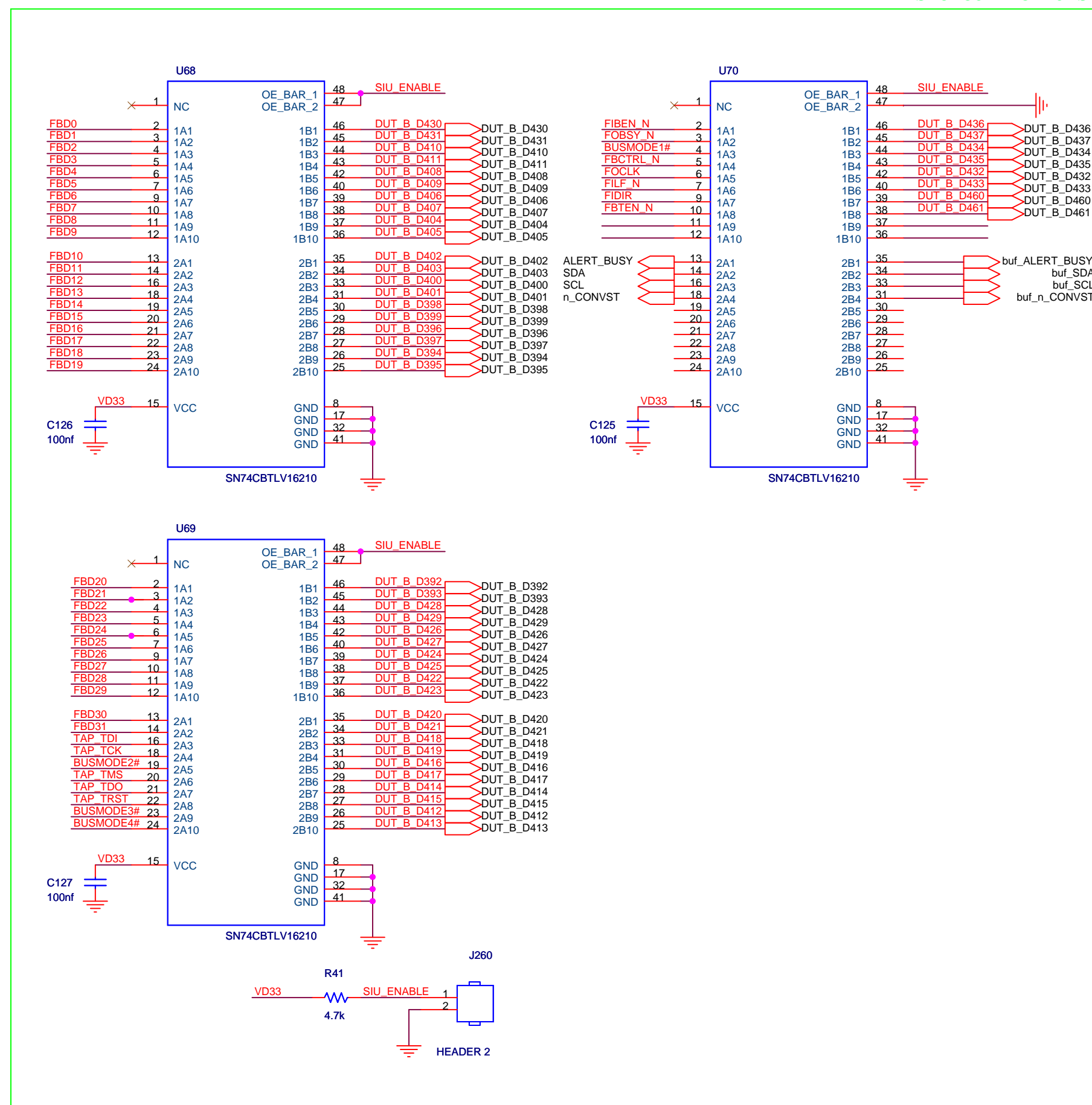
File			PIXEL PHASE-1 V5 interface board - Ladder 3		
Size	Document Number		Rev		
D	<Doc>		<RevCode>		
Date:	Wednesday, June 18, 2008	Sheet	1	of	1



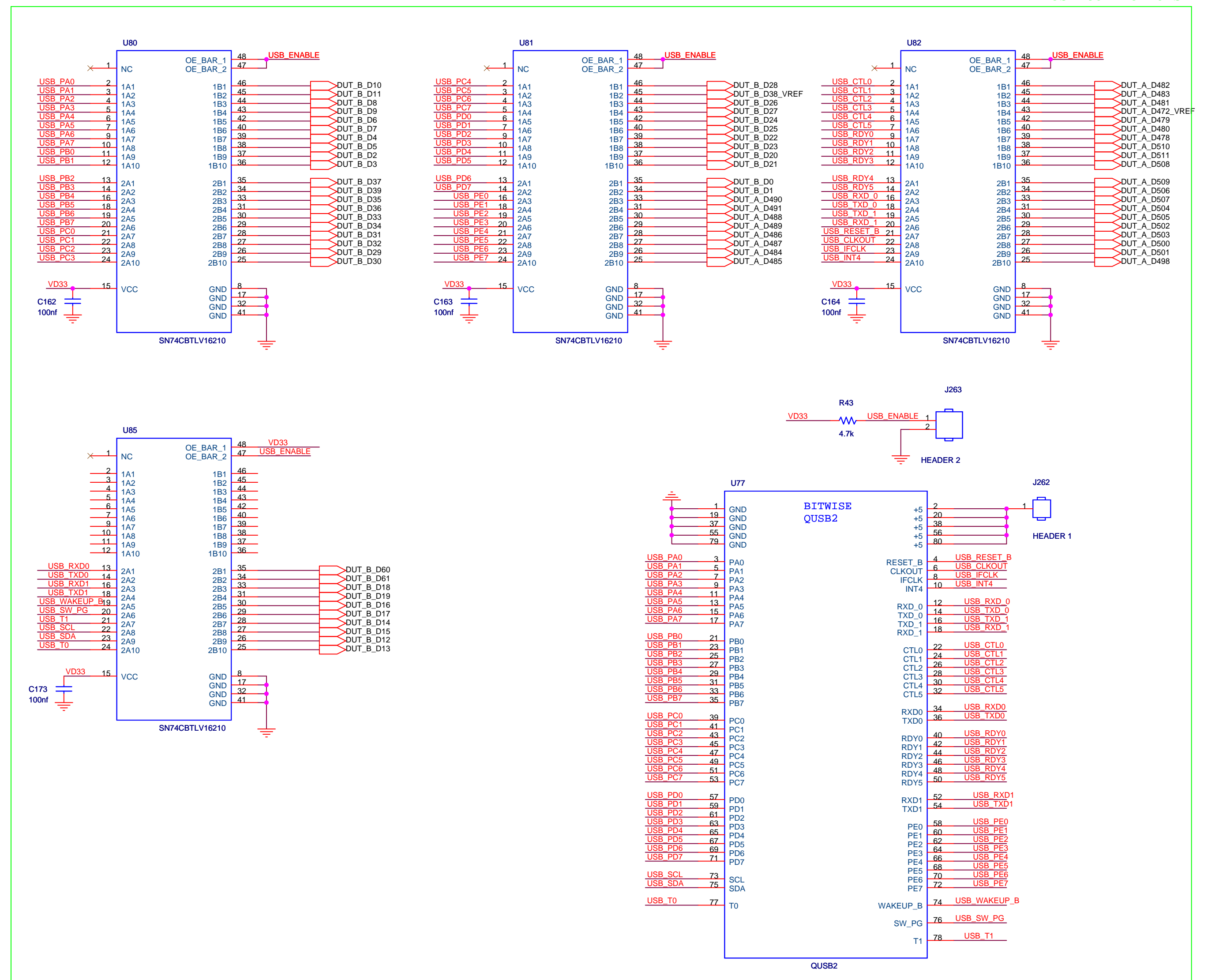
PMC Connectors for SIU



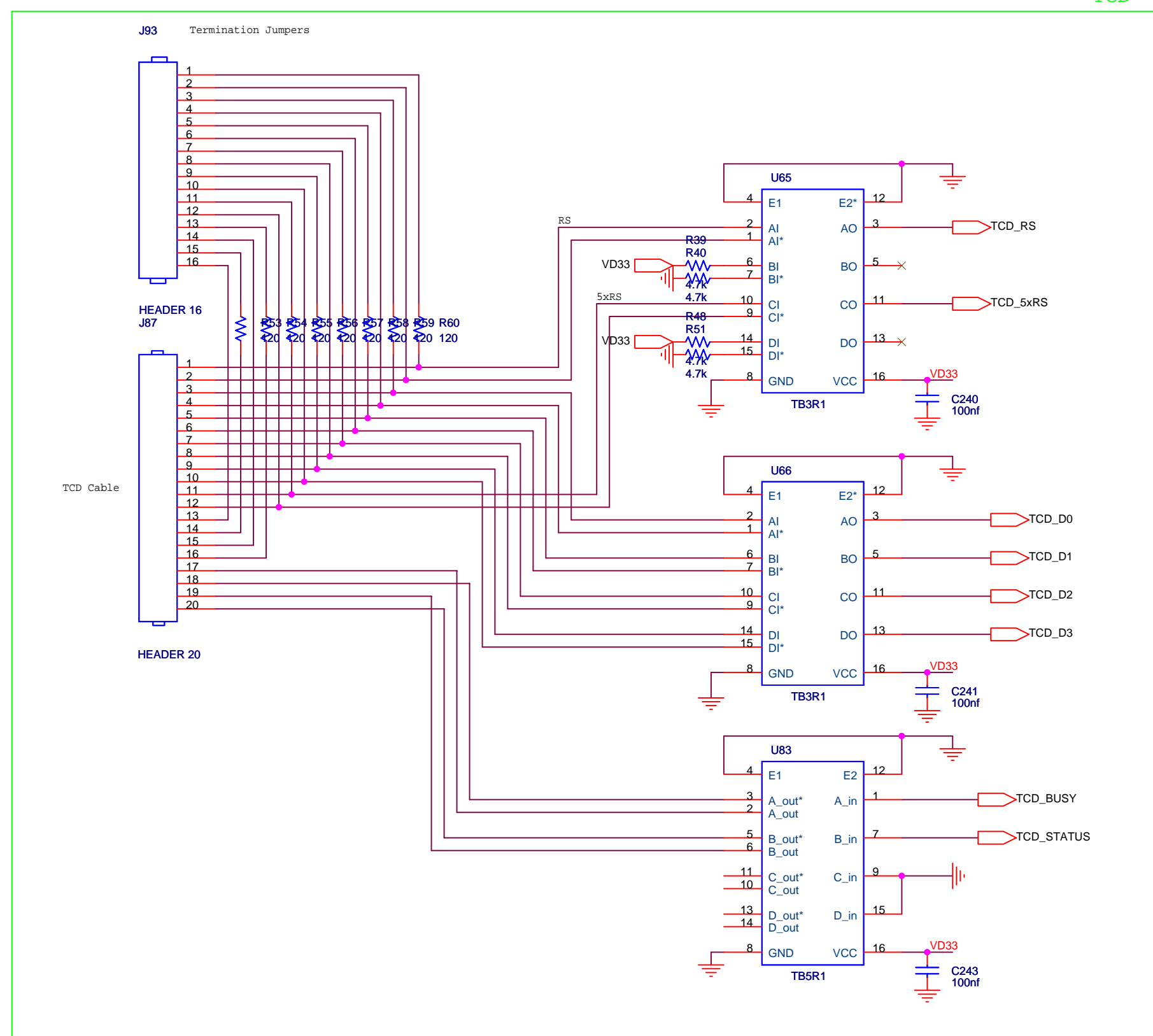
SIU CONNECTIONS



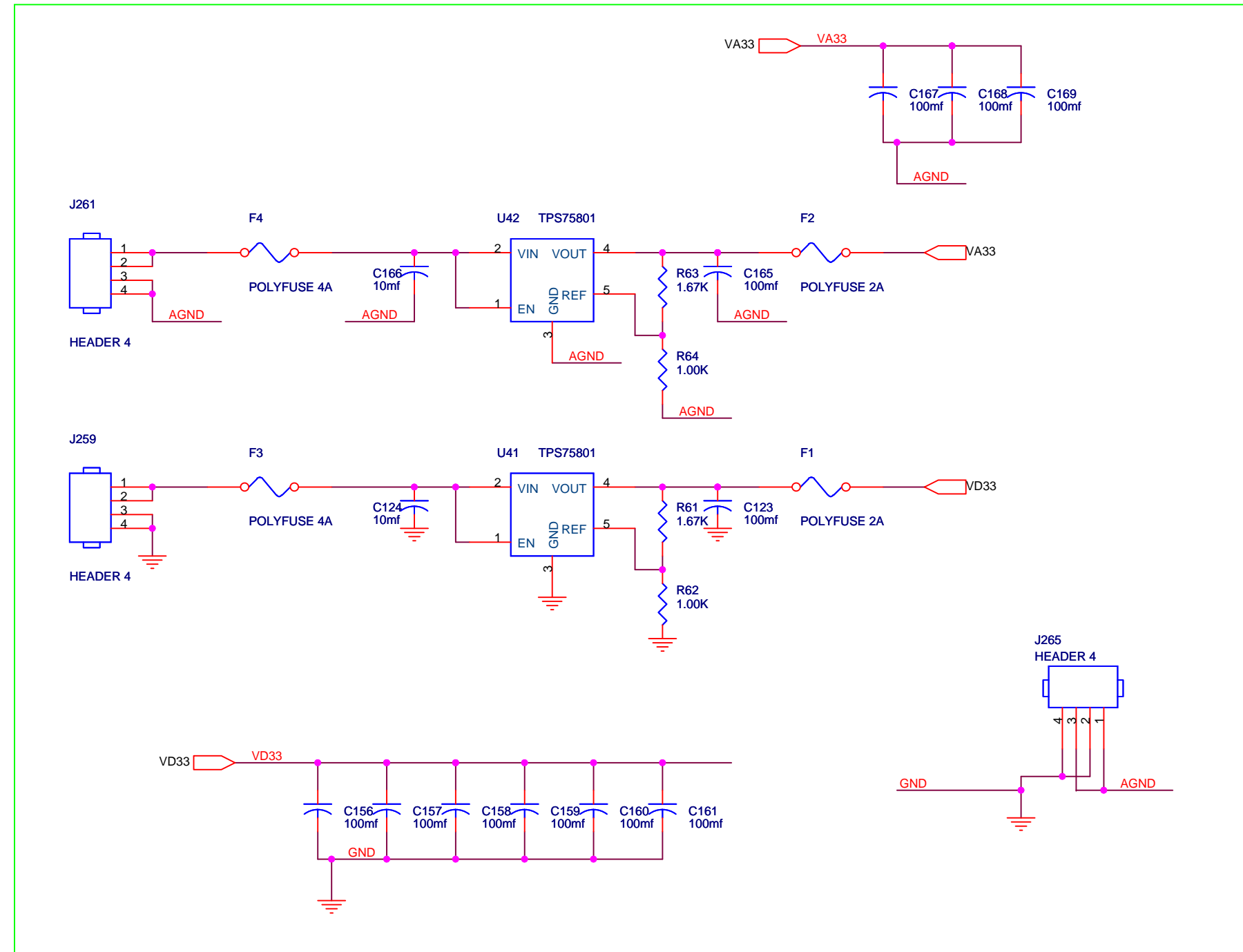
USB CONNECTIONS



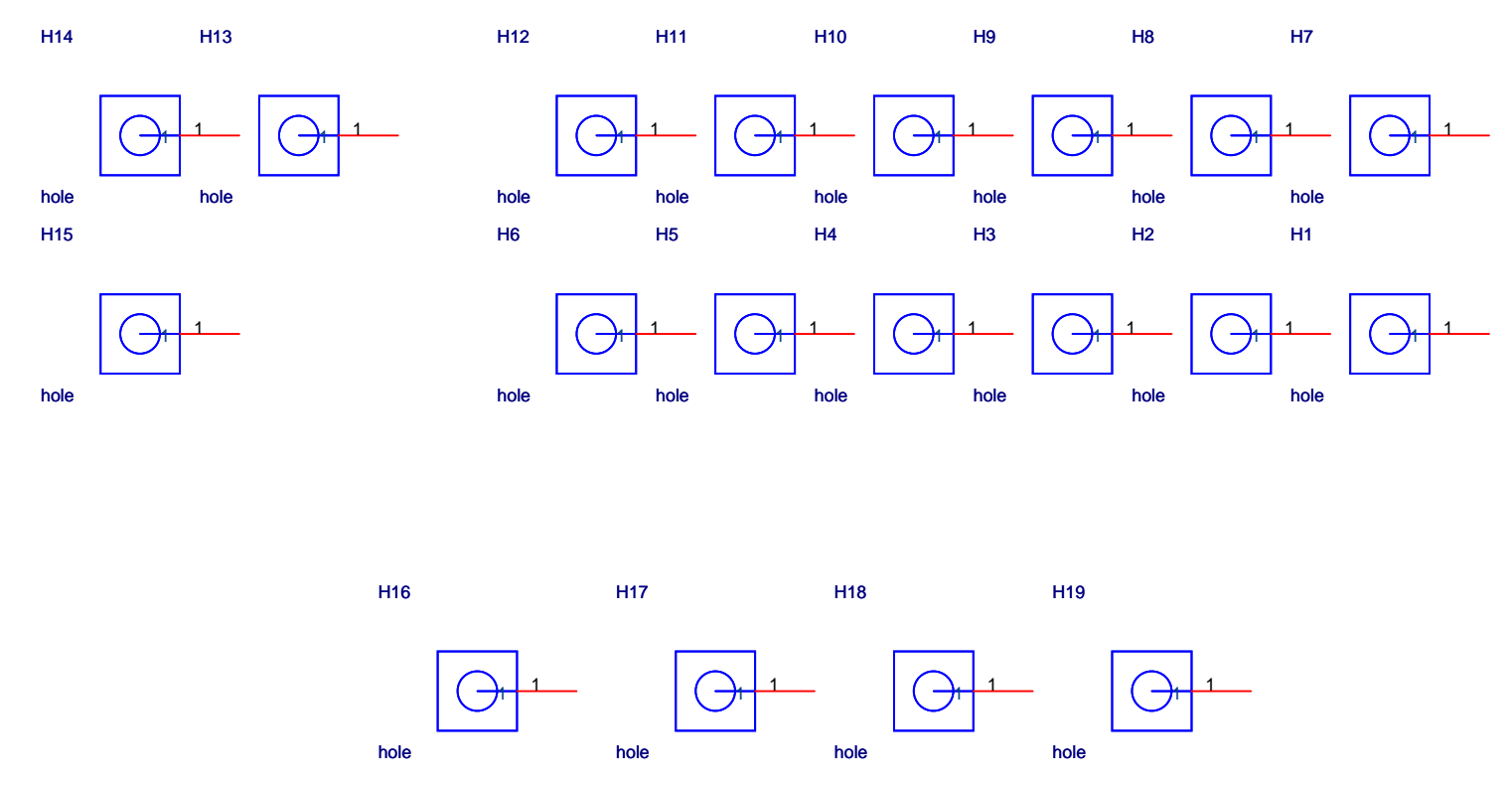
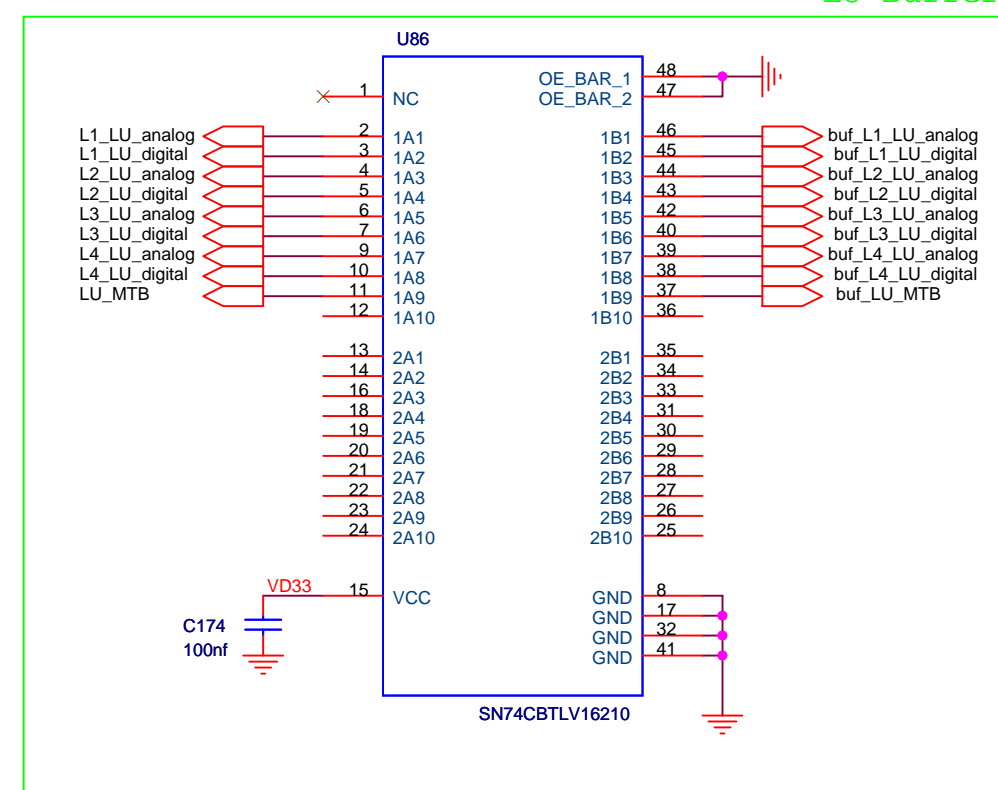
TCD



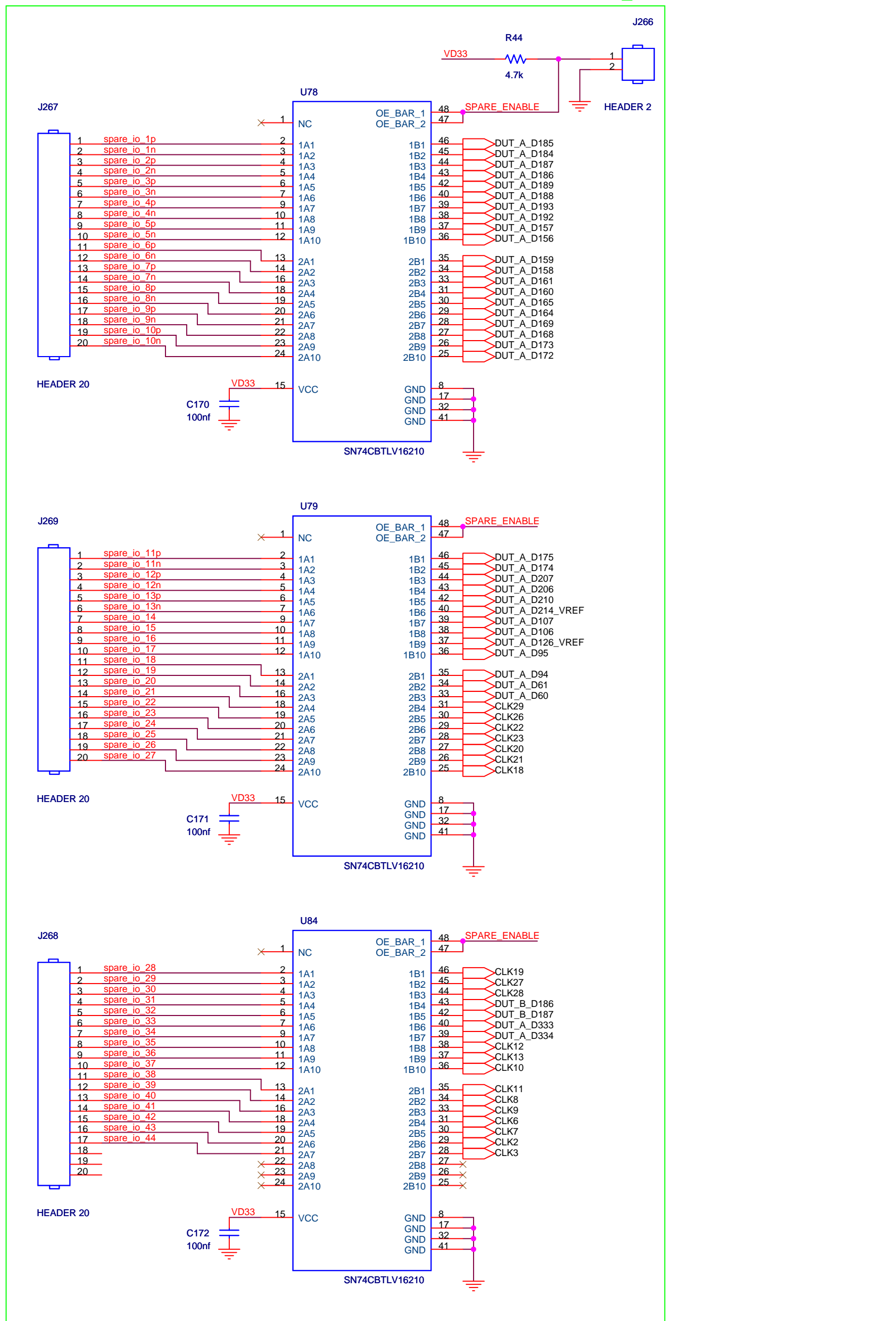
POWER



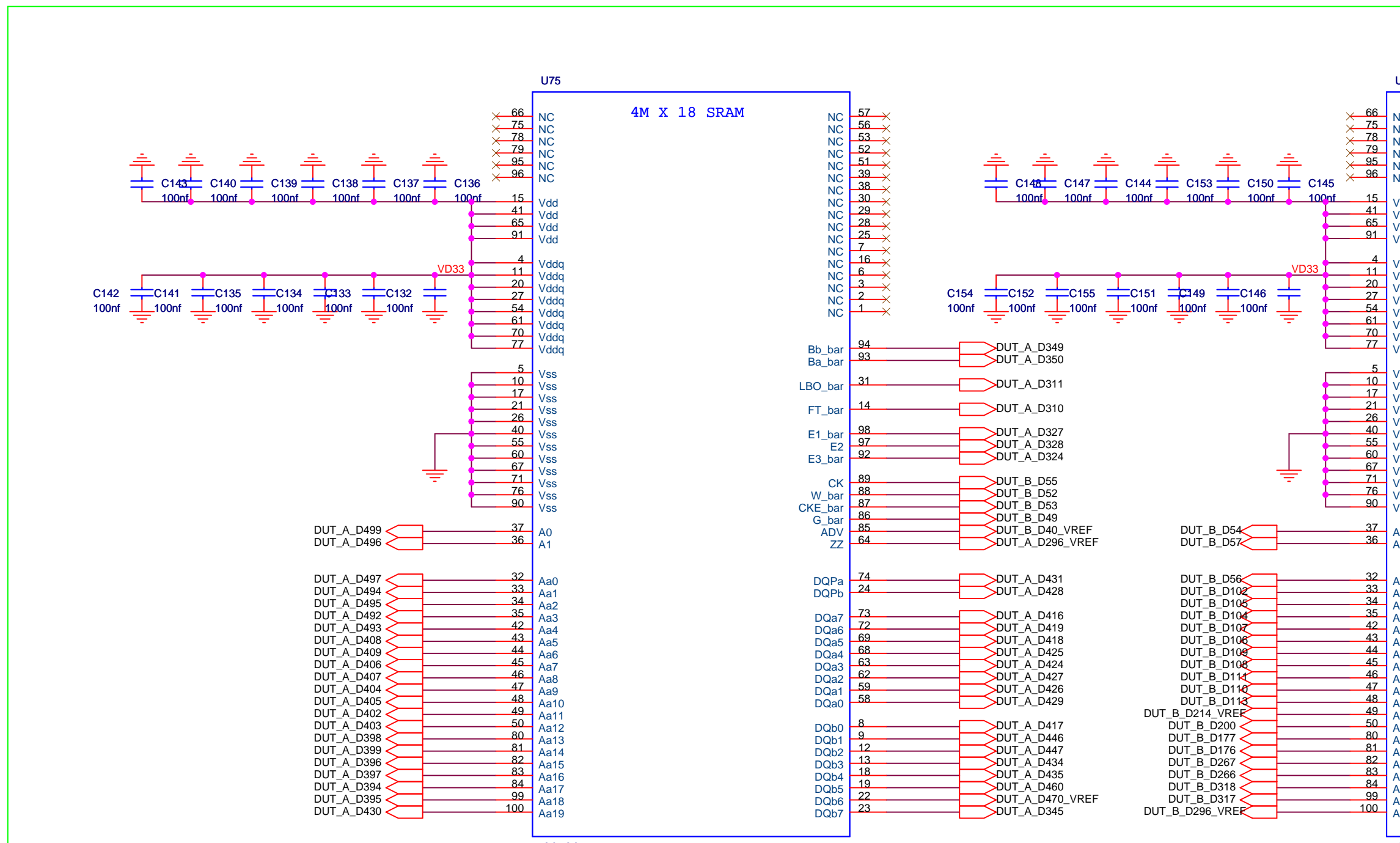
LU Buffer



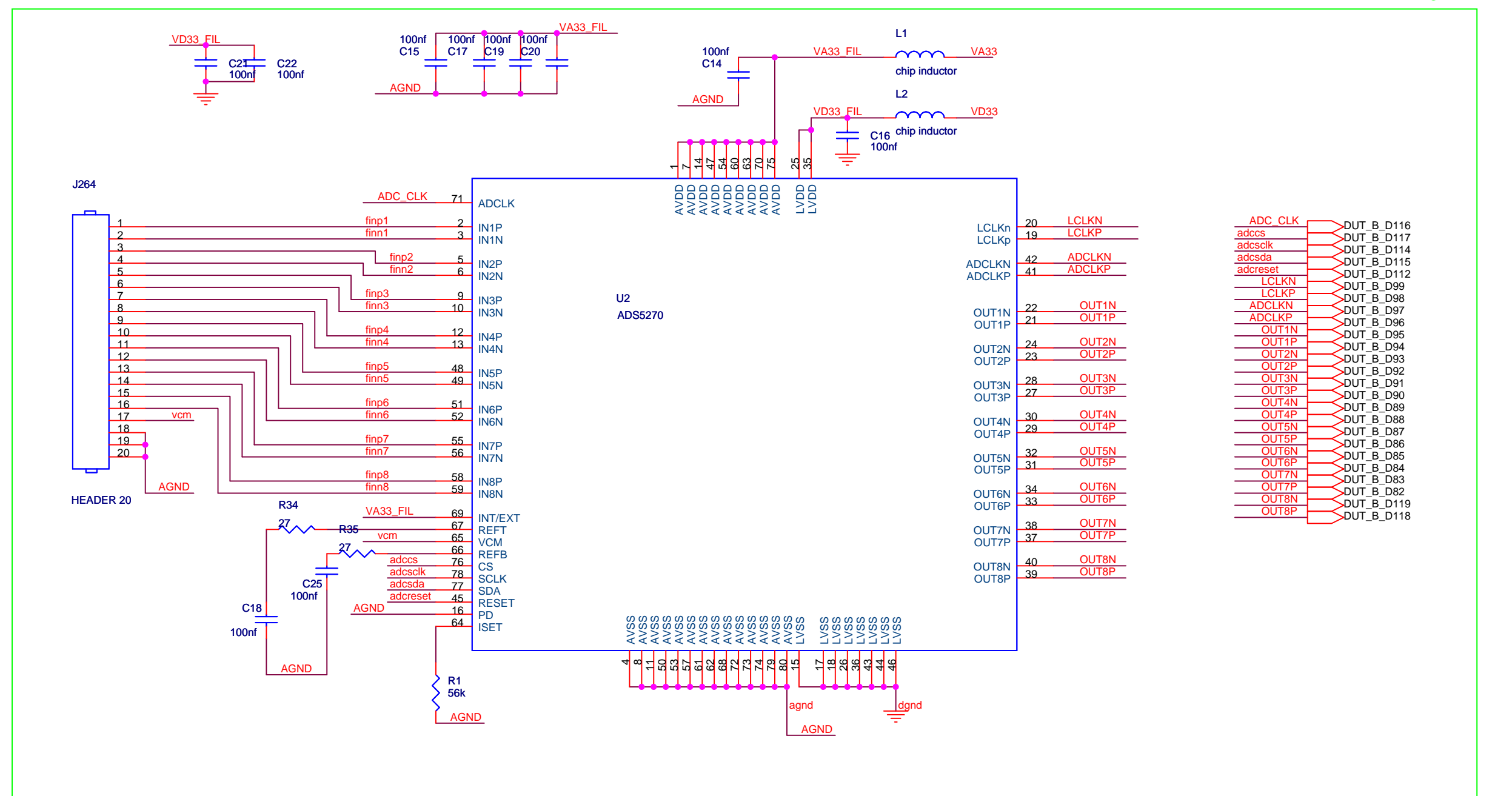
SPARE\_IO

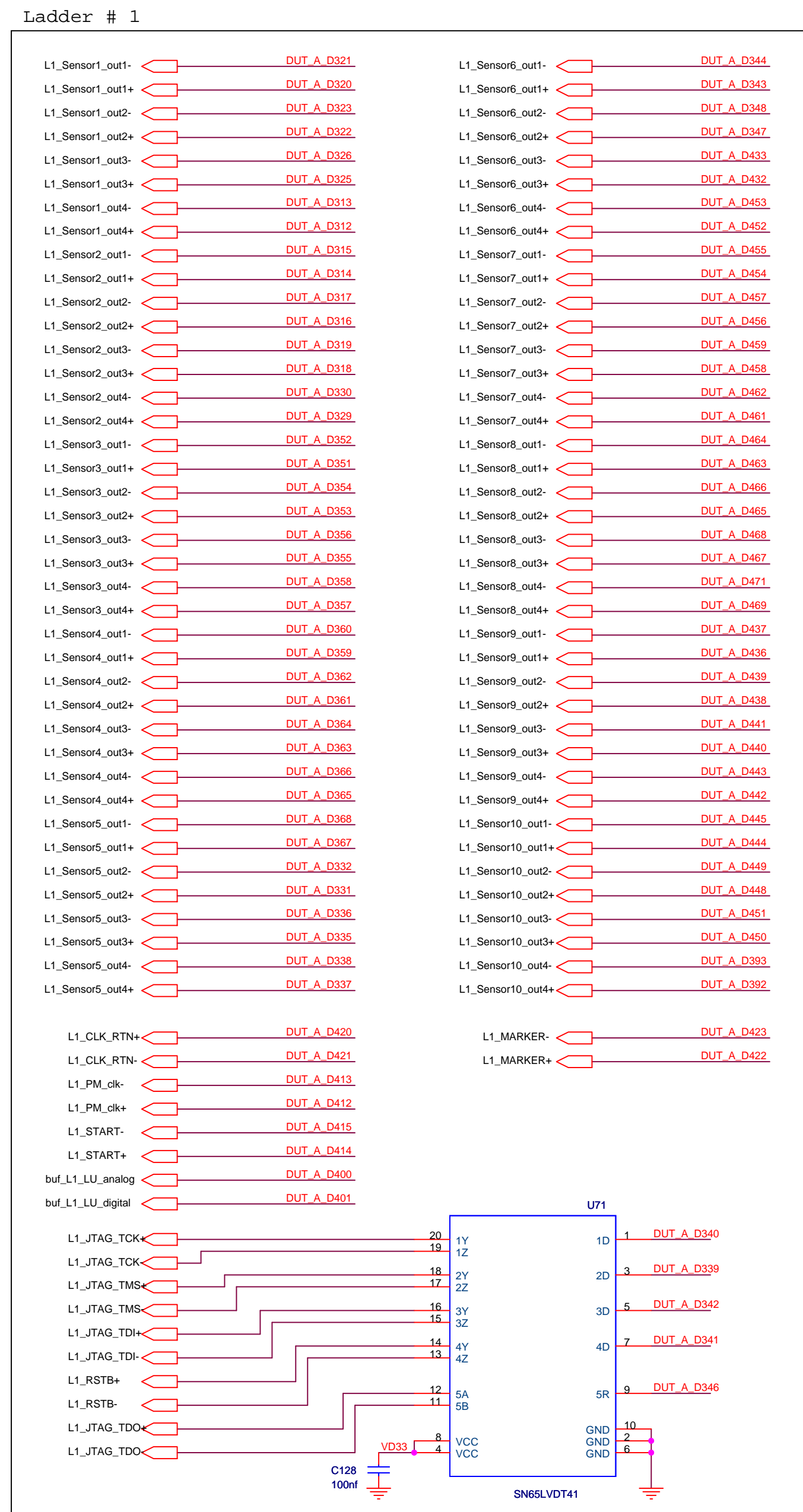
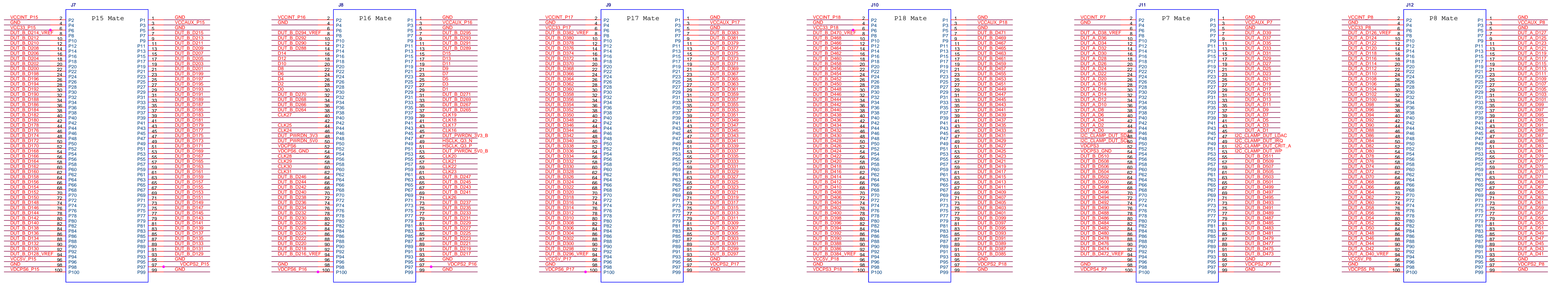
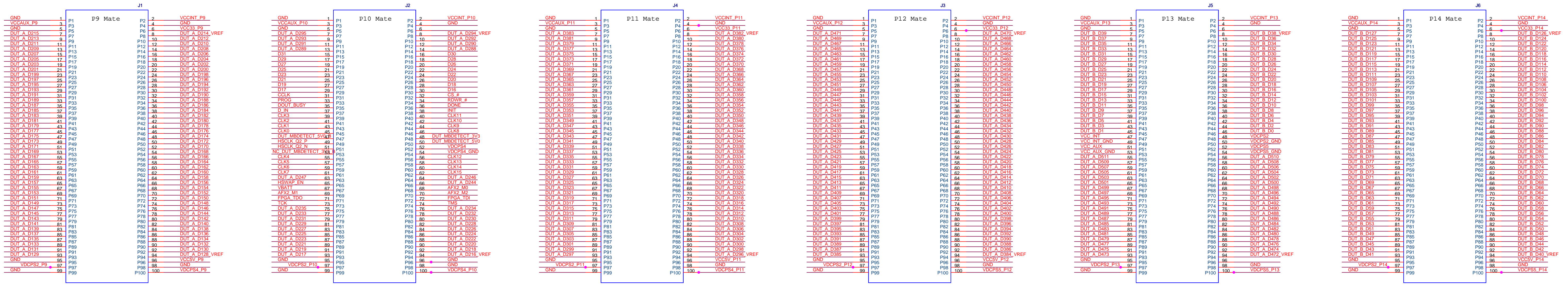


SRAM

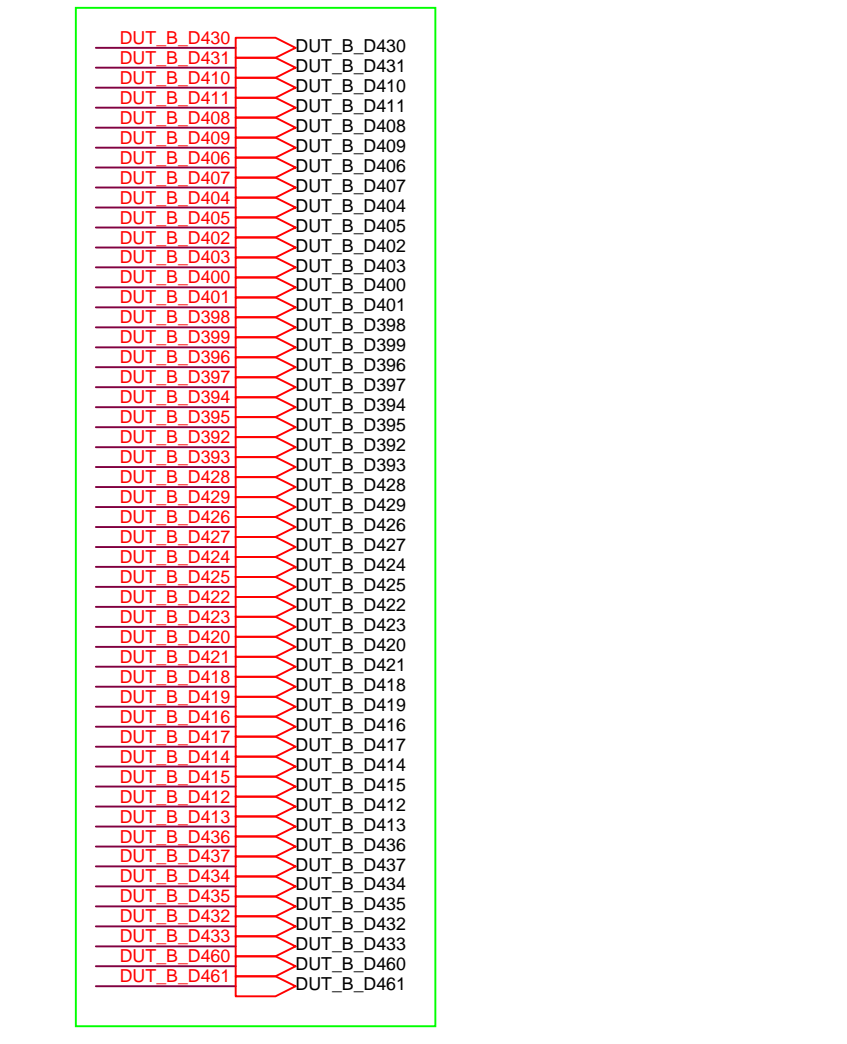


ADC

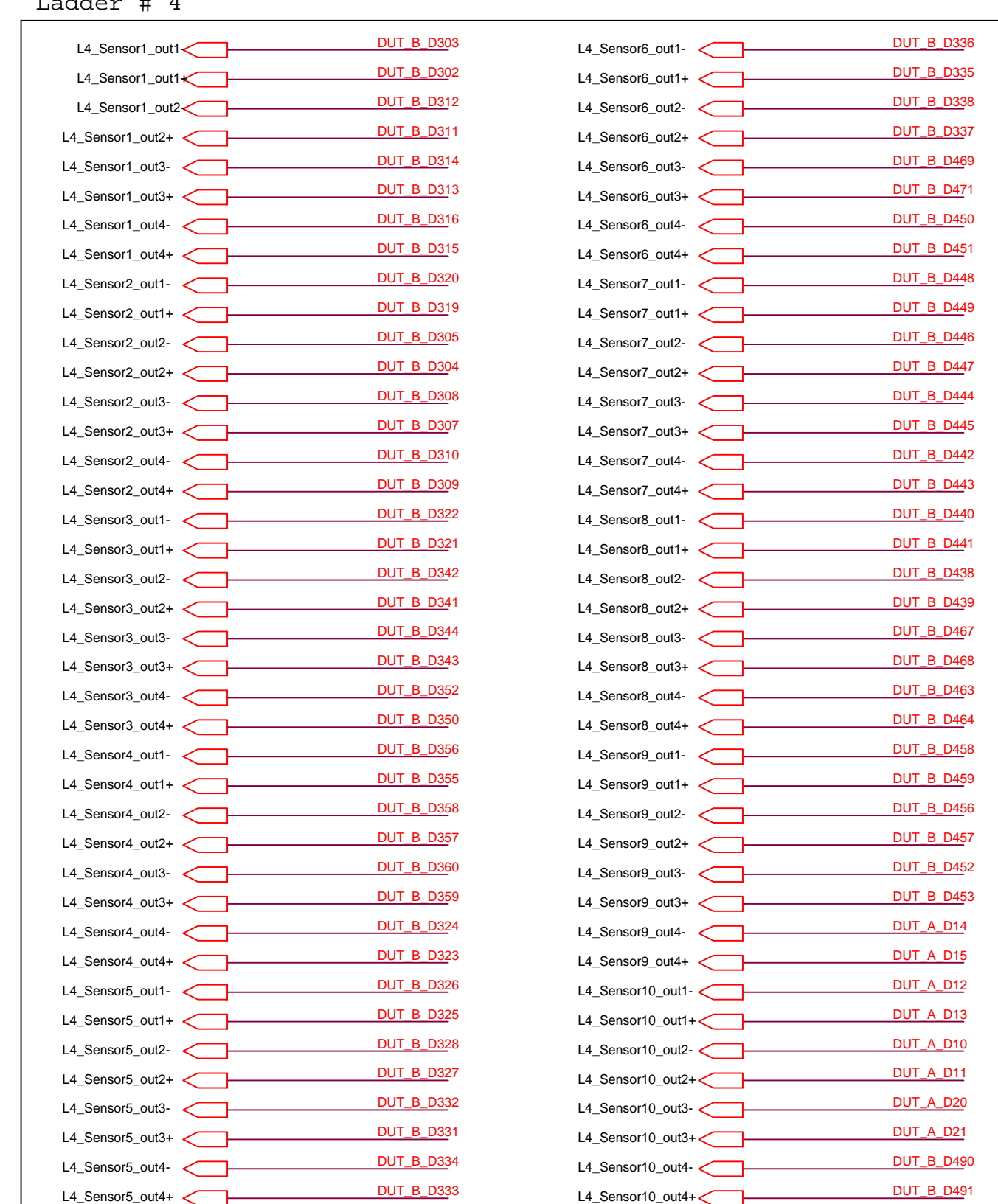




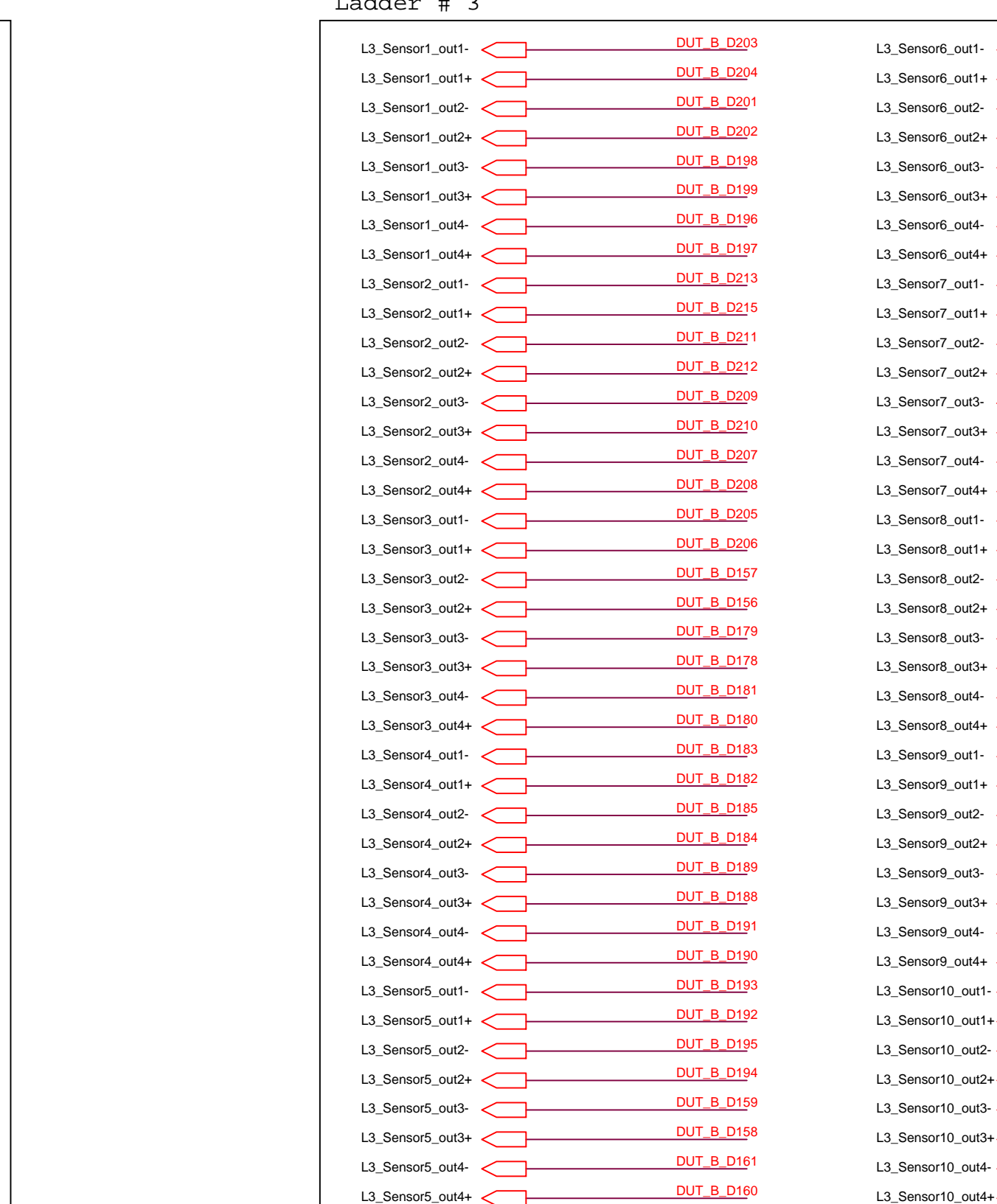
SIU INTERFACE



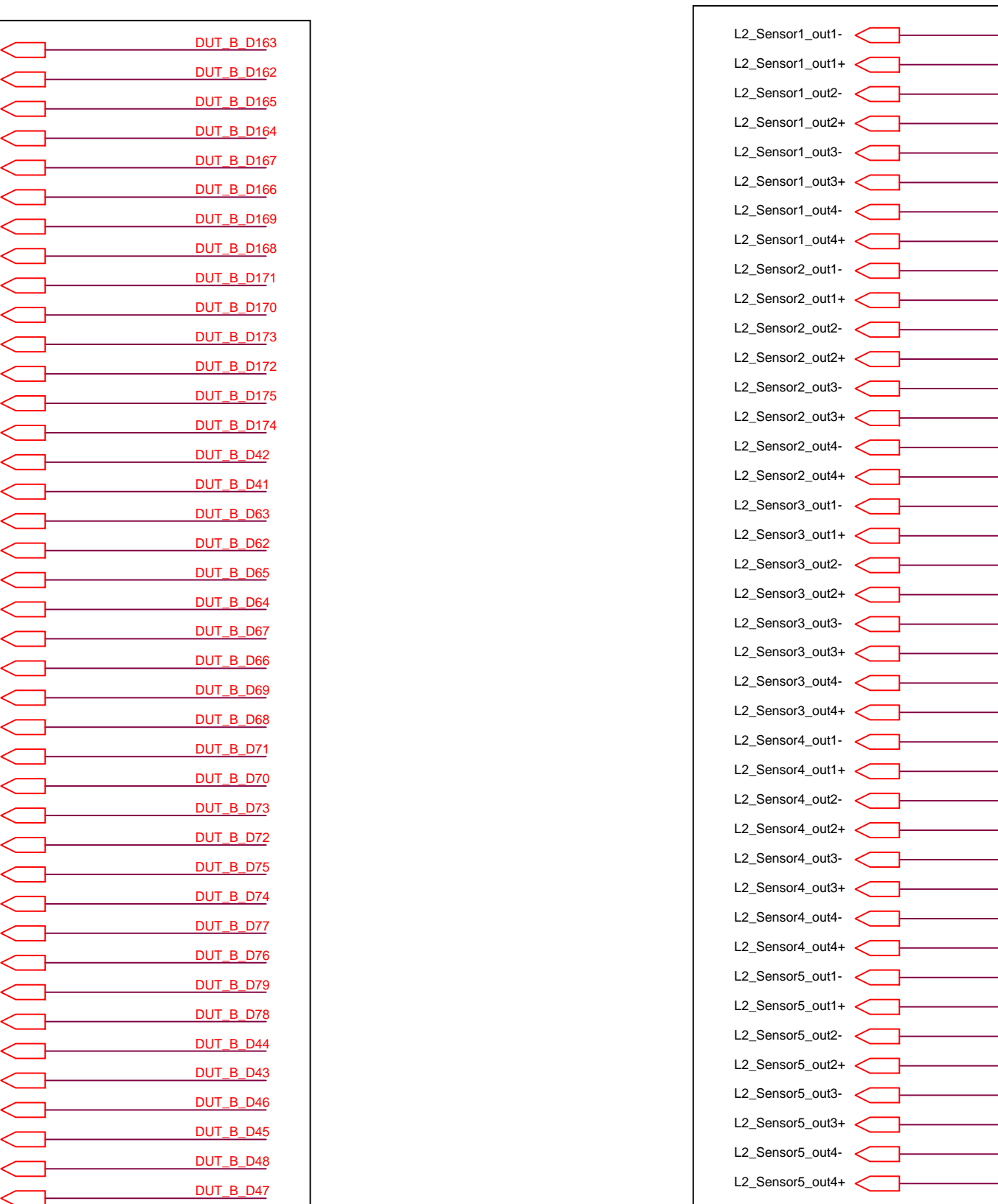
Ladder #4



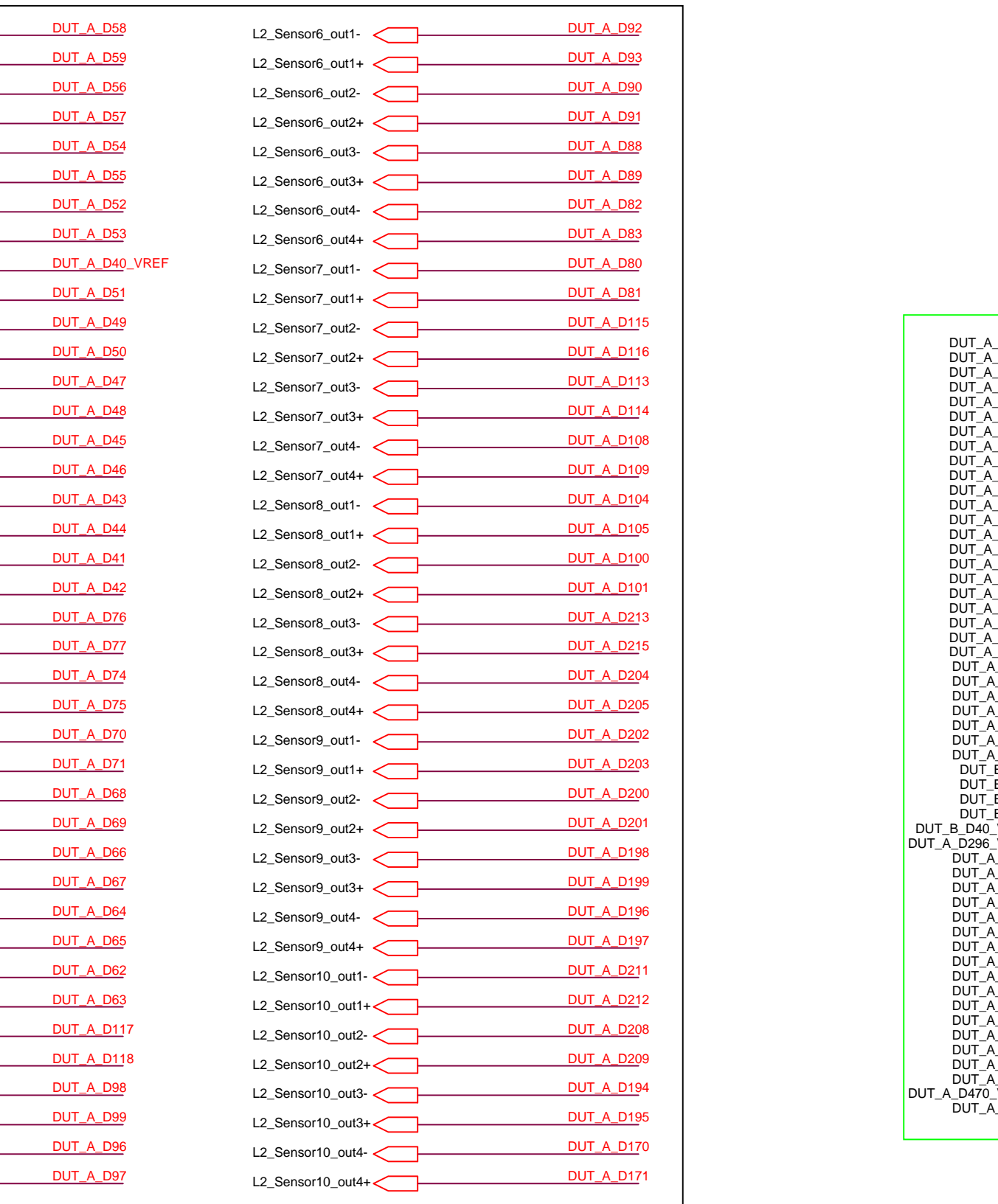
Ladder #3



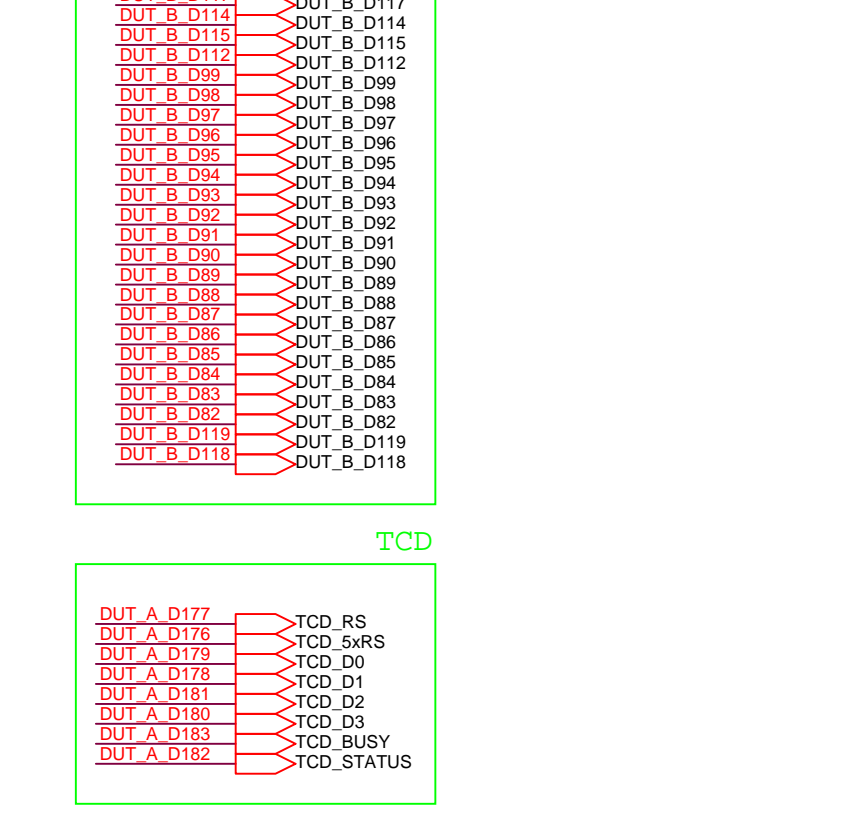
Ladder #2



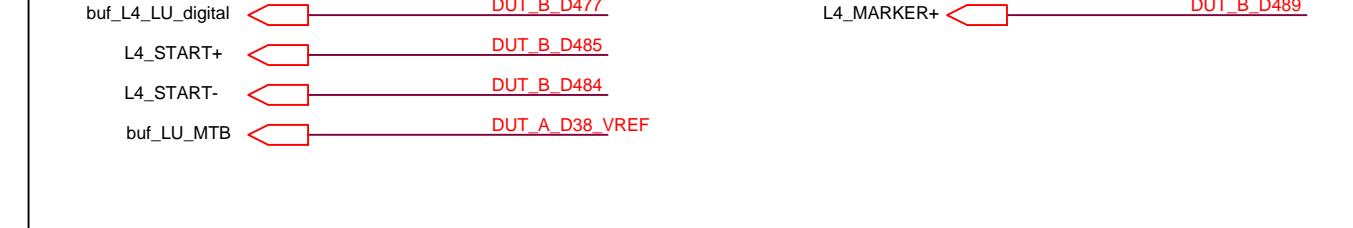
Ladder #1



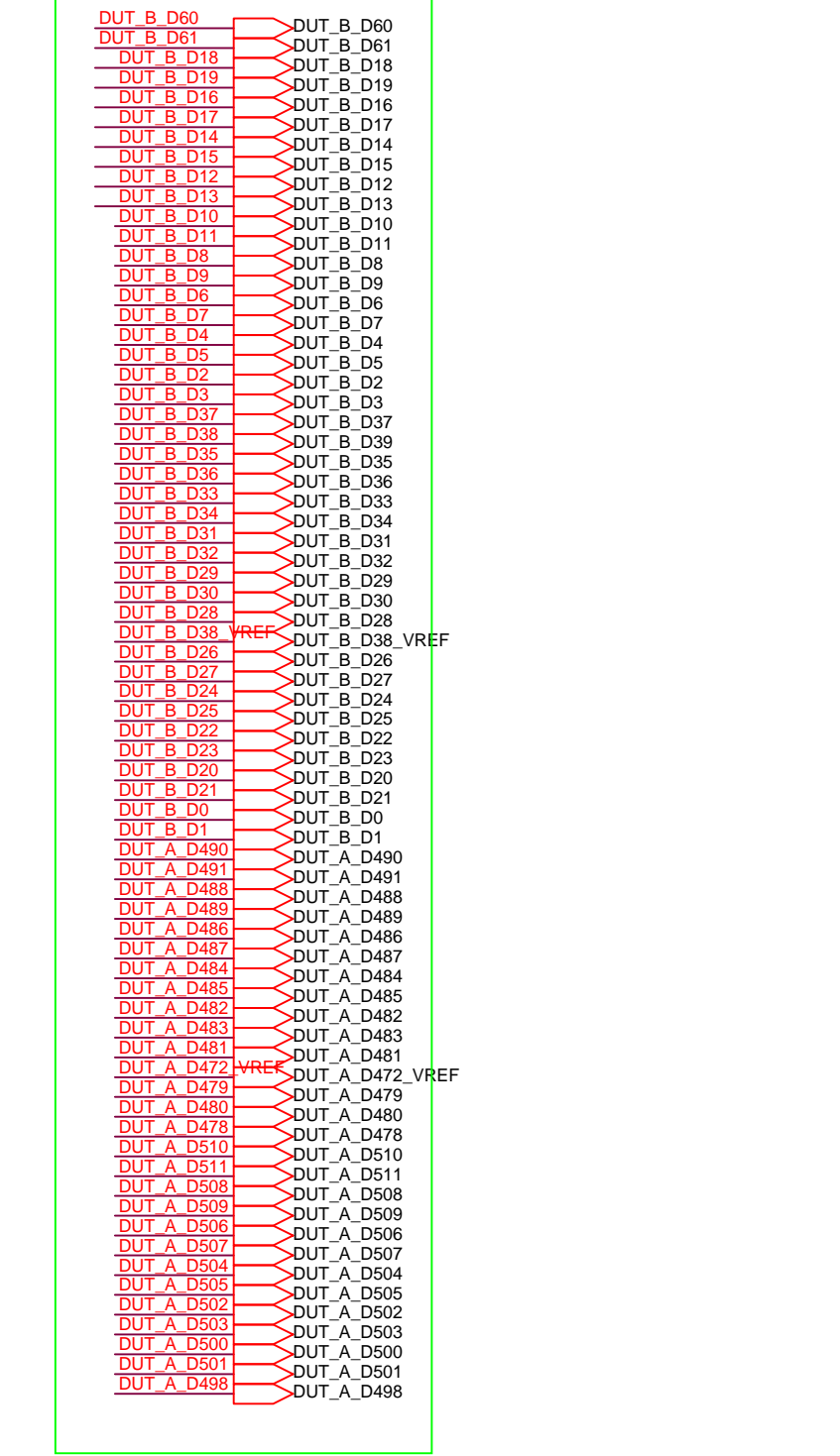
ADC INTERFACE



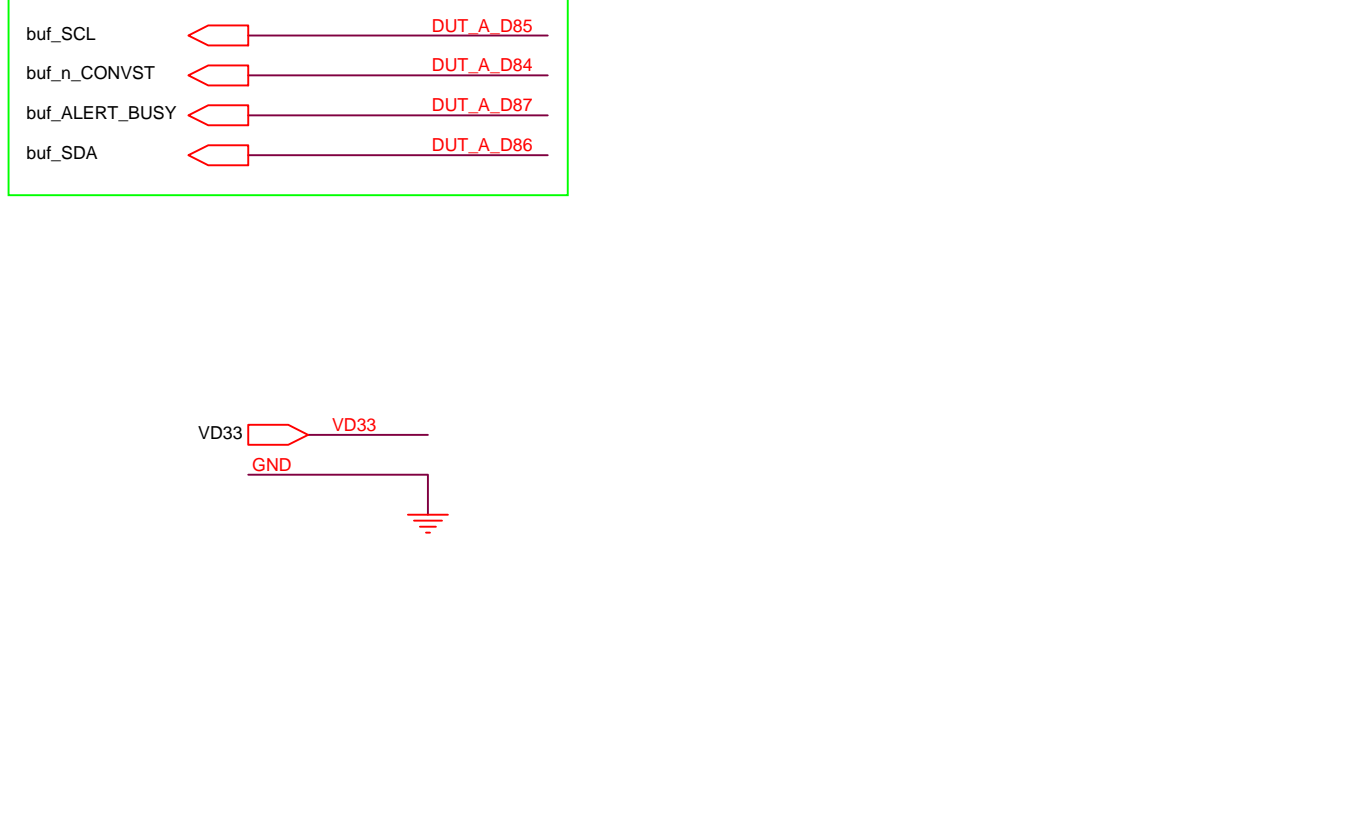
TCD



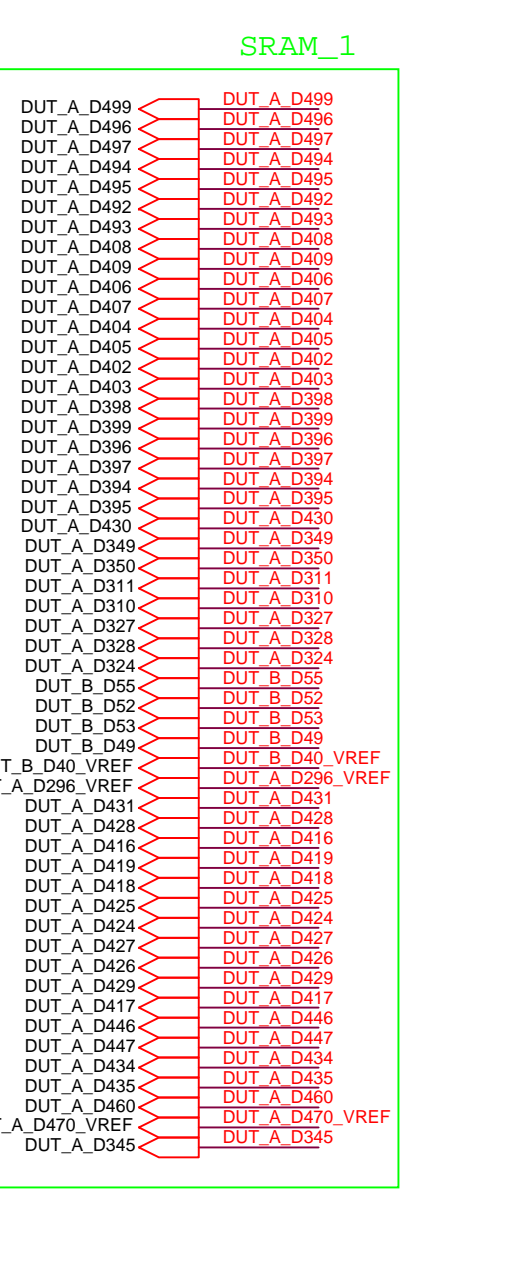
USB



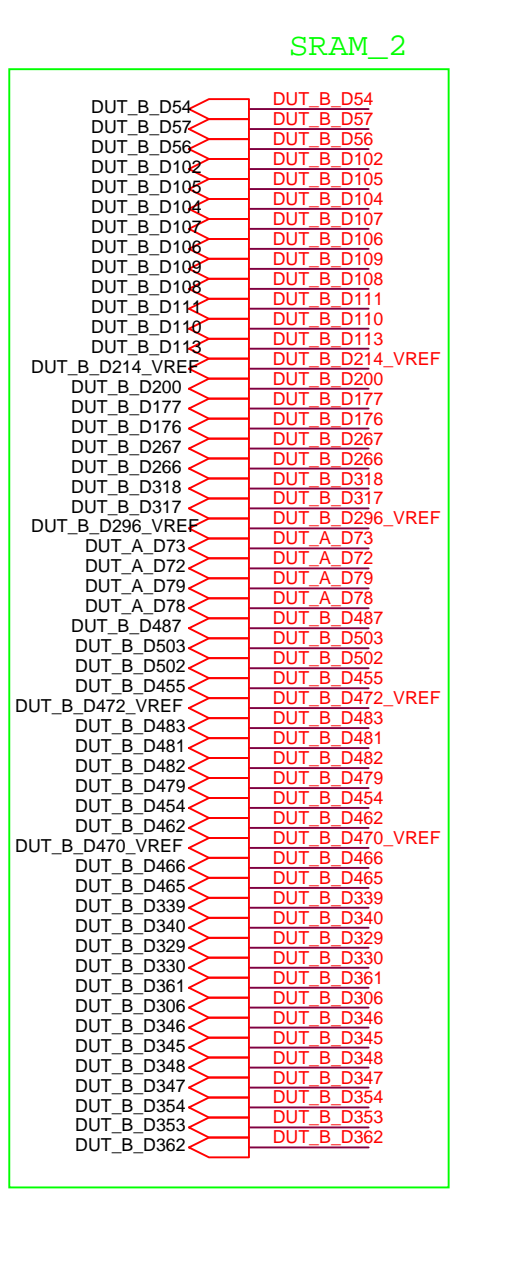
TEMP ADC



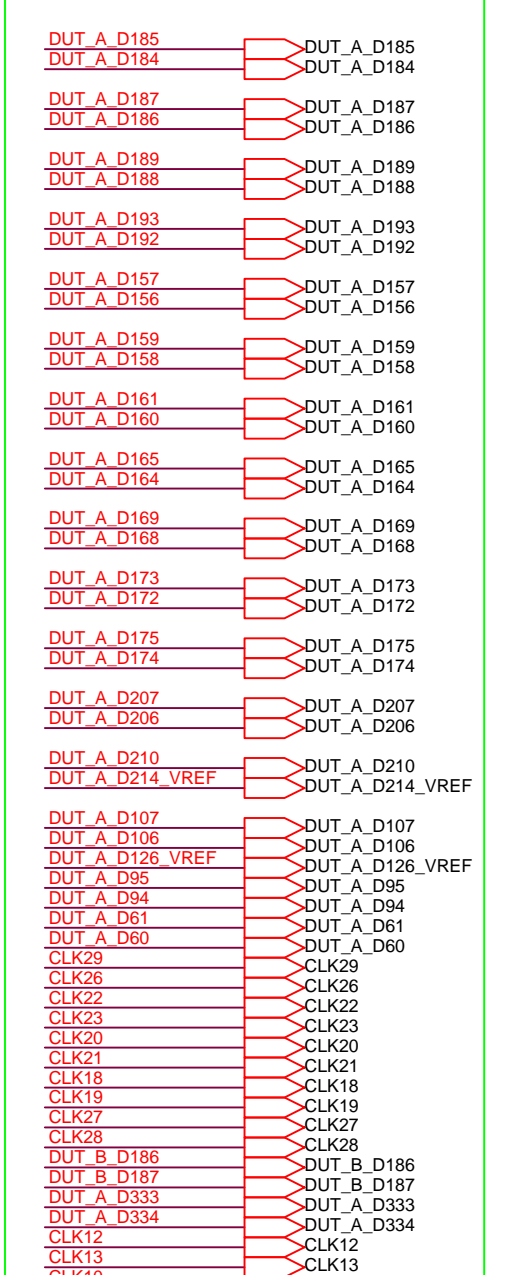
SRAM\_1



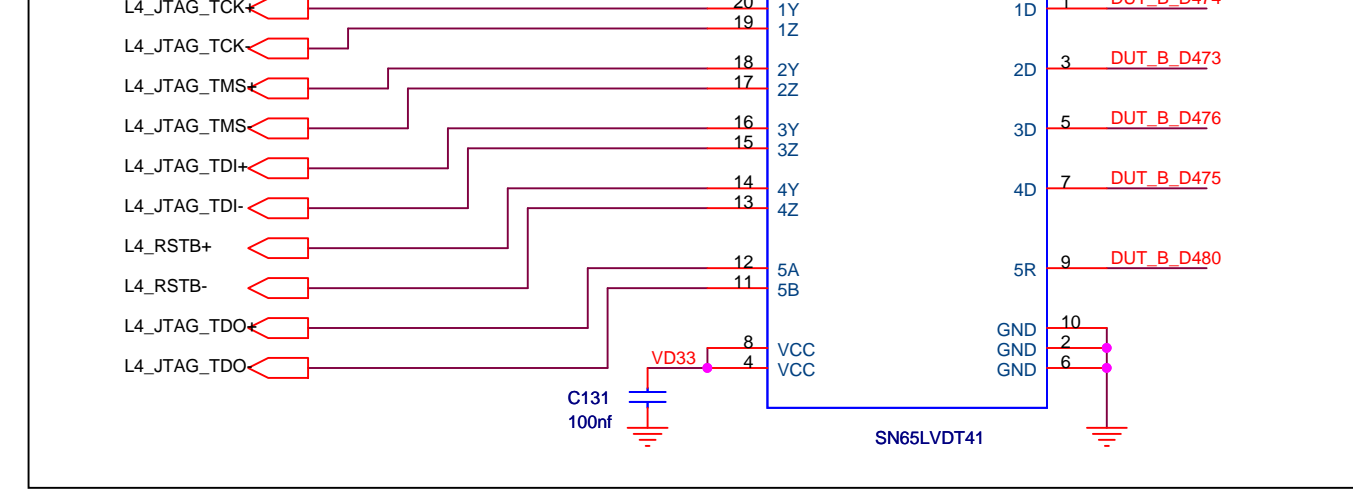
SRAM\_2



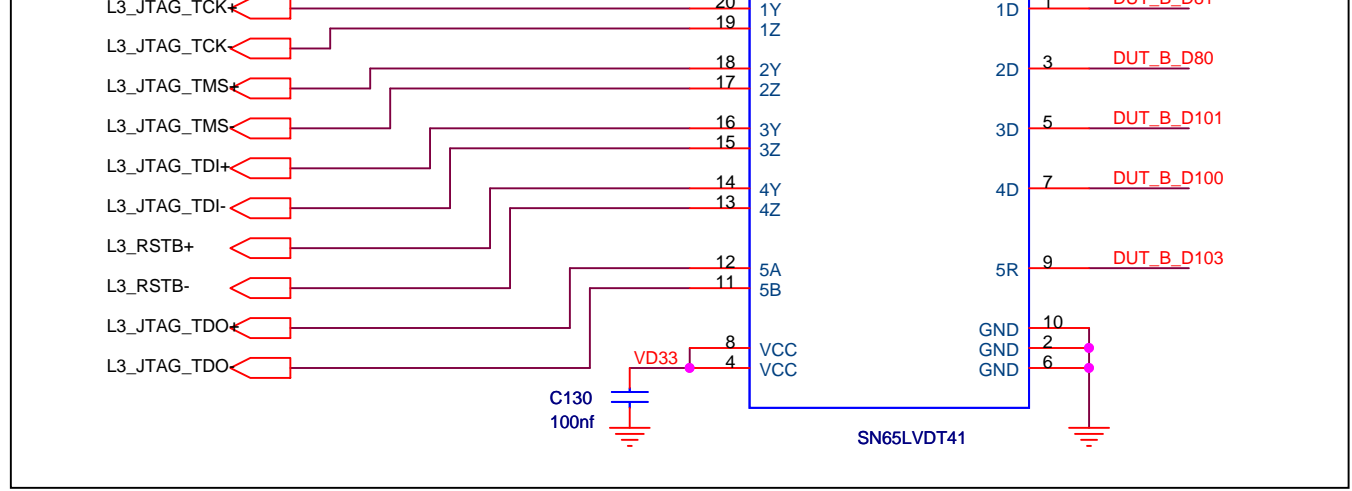
SPARR\_IO



U1



U3



U2

