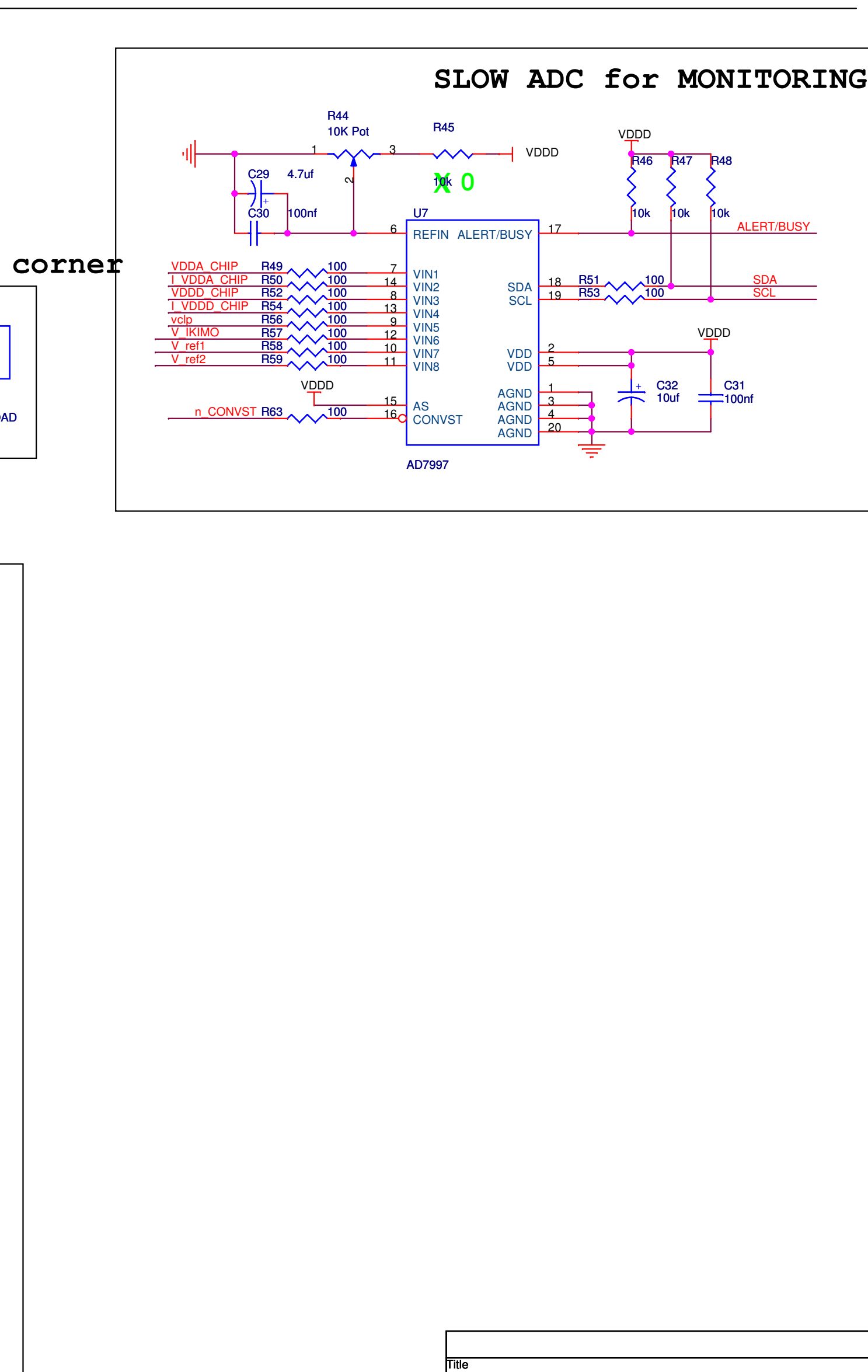
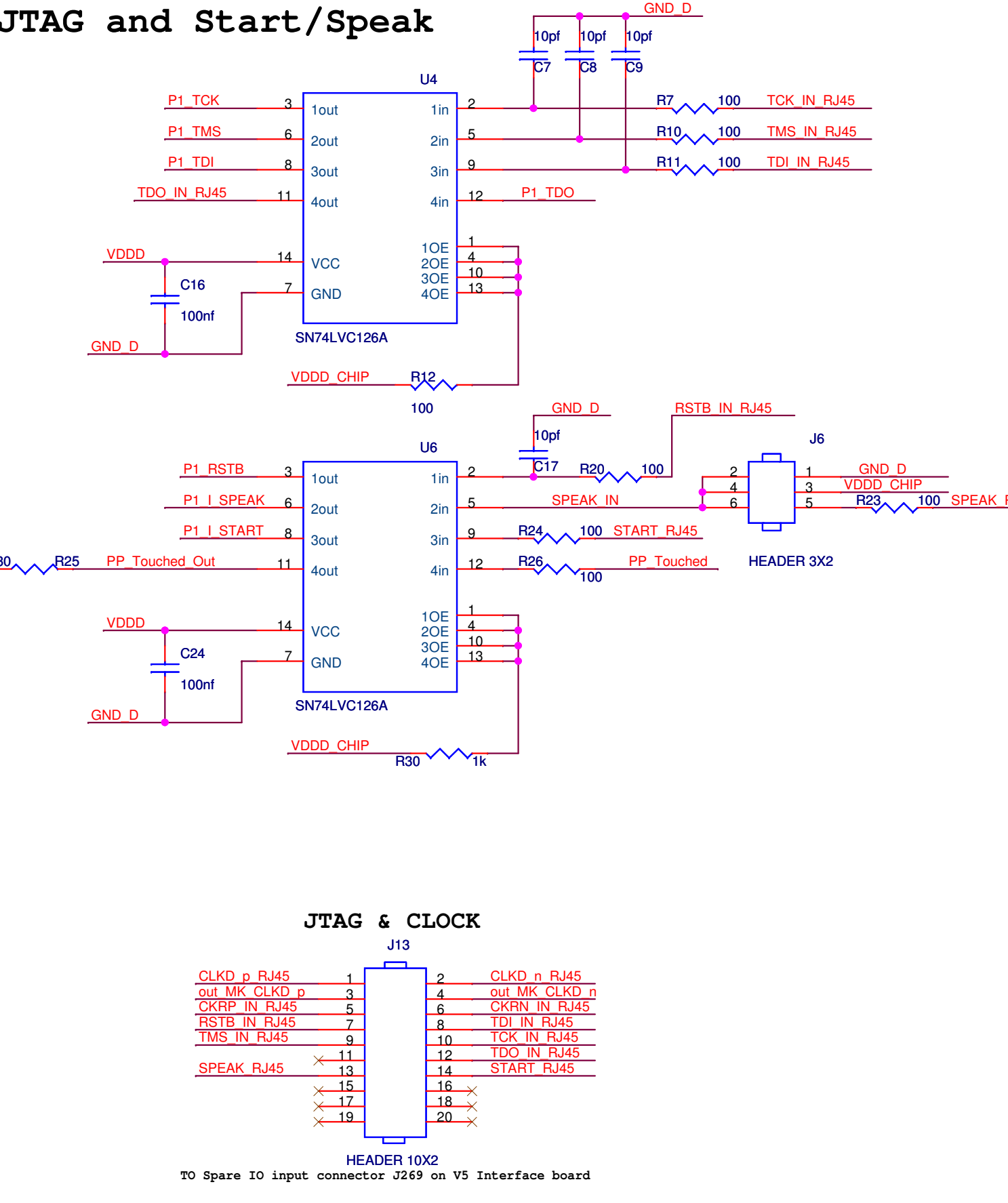
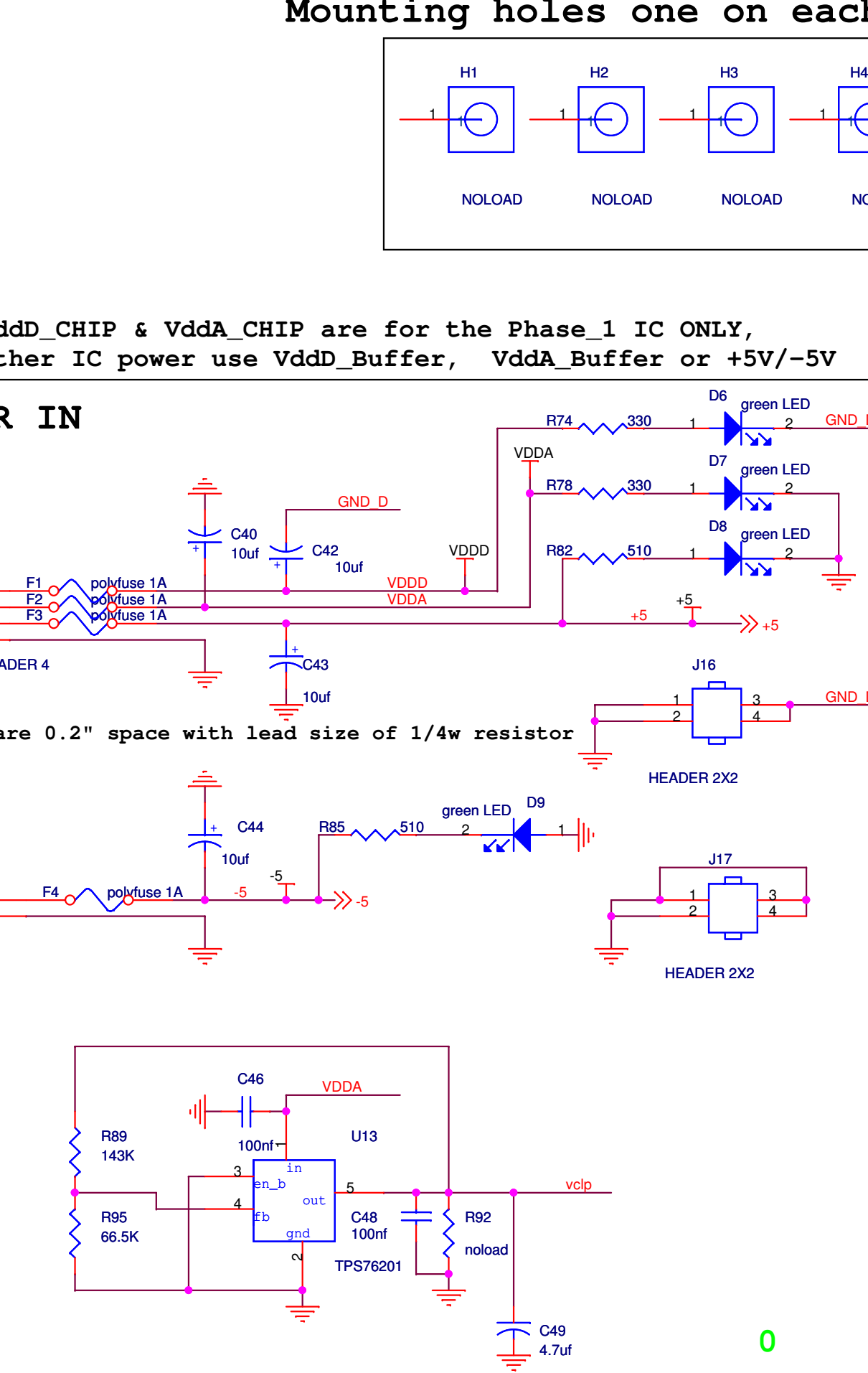
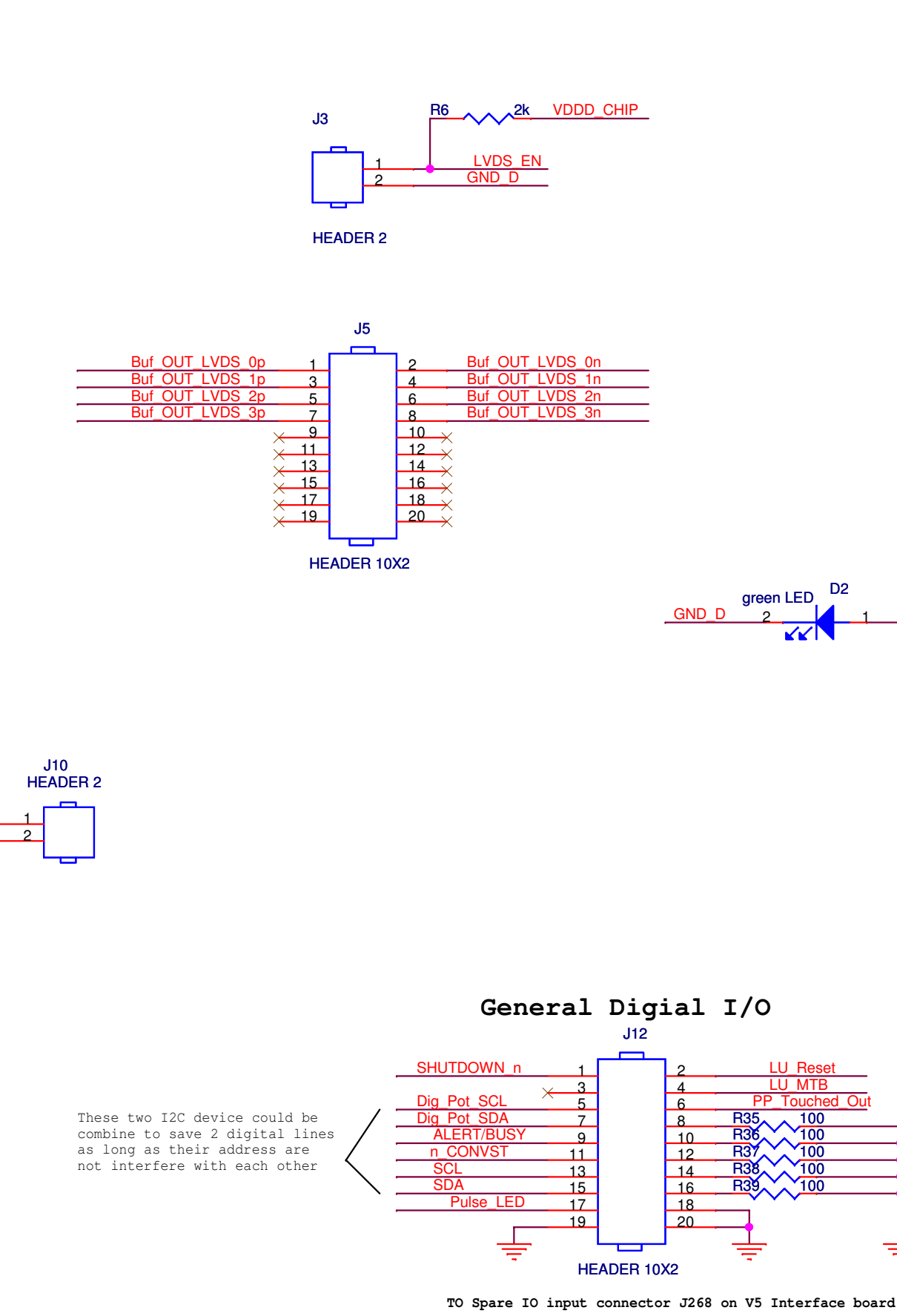
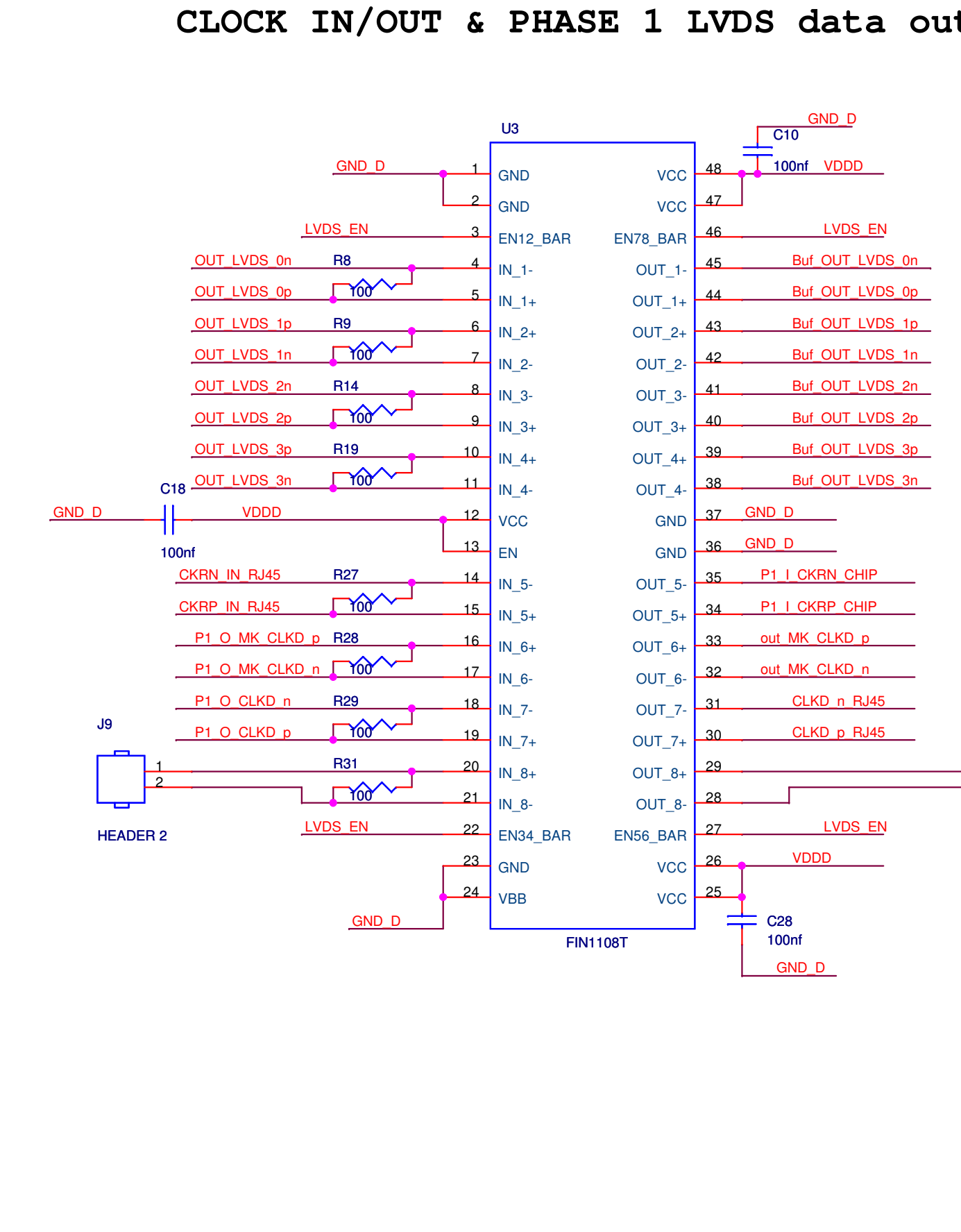
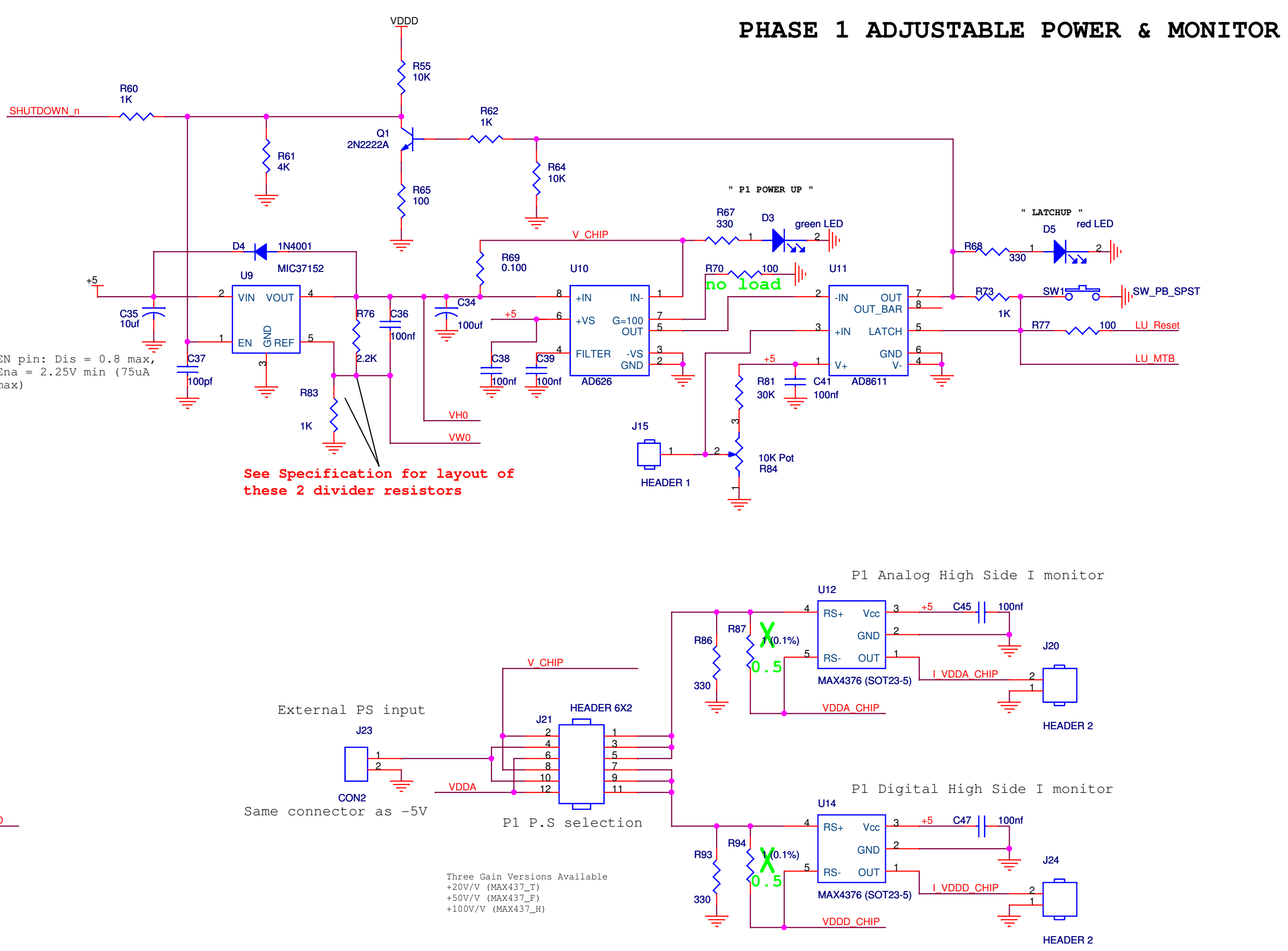
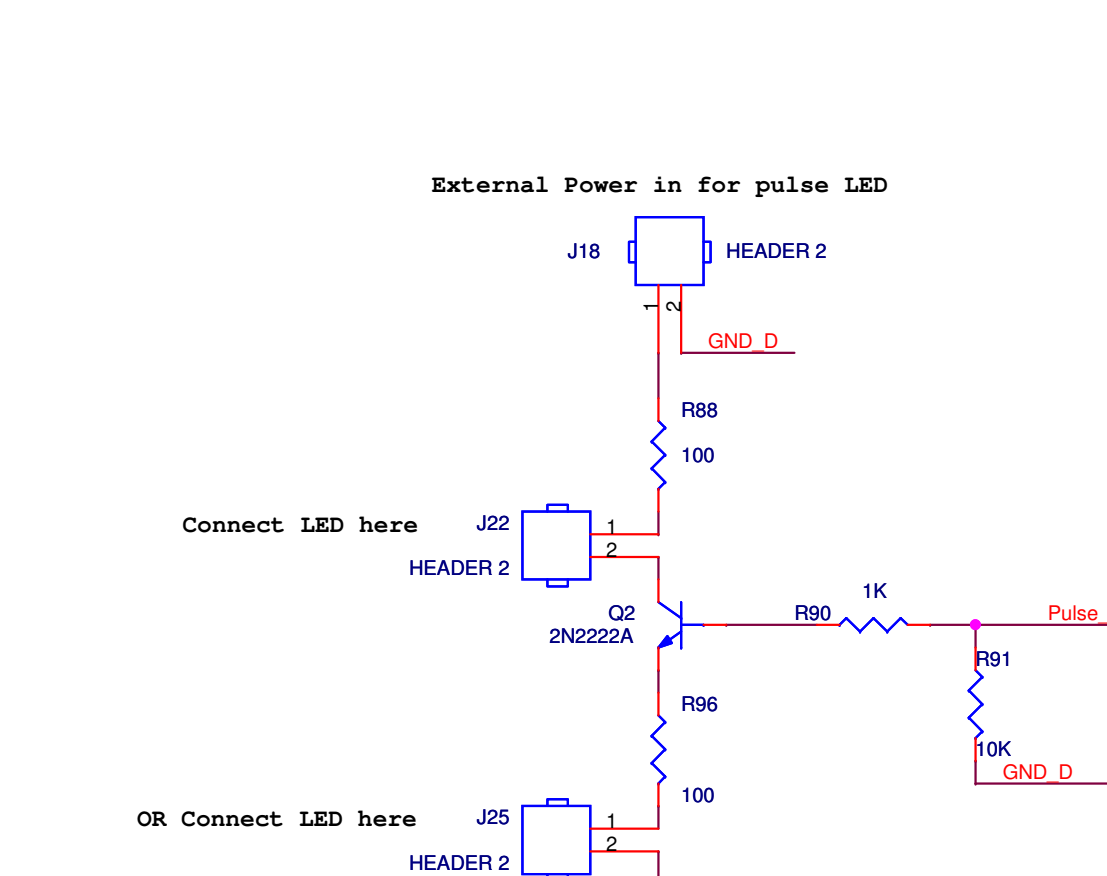
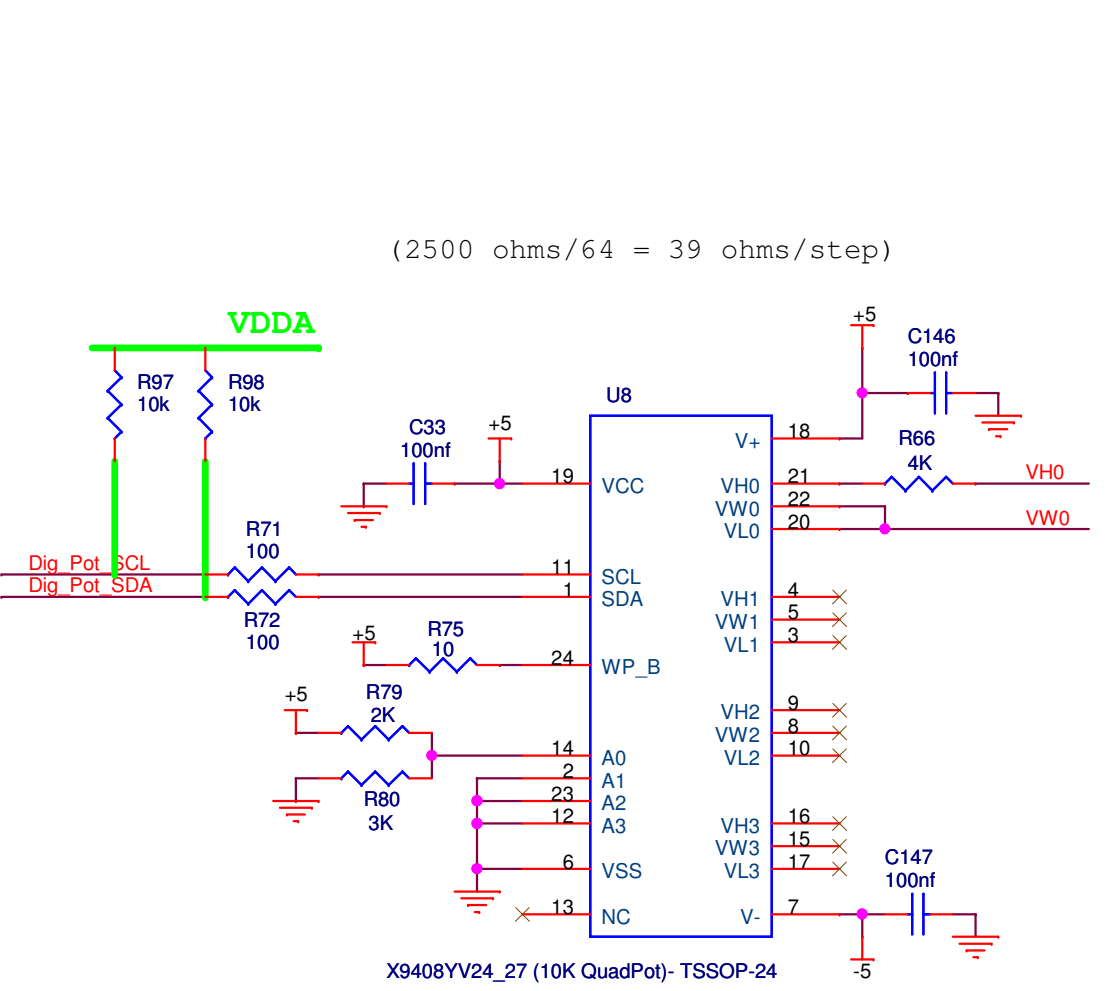
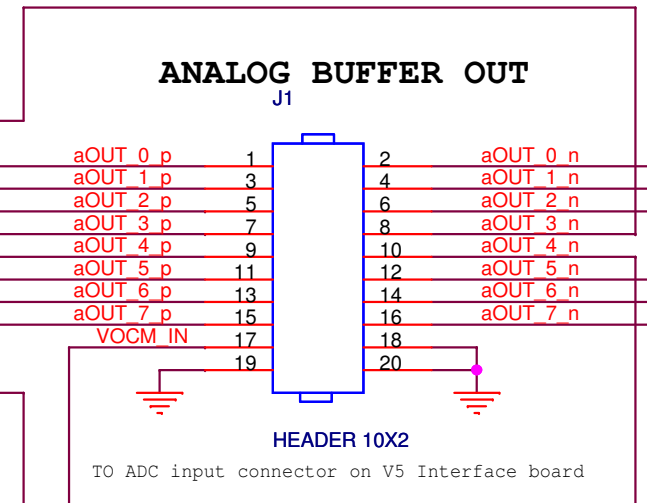
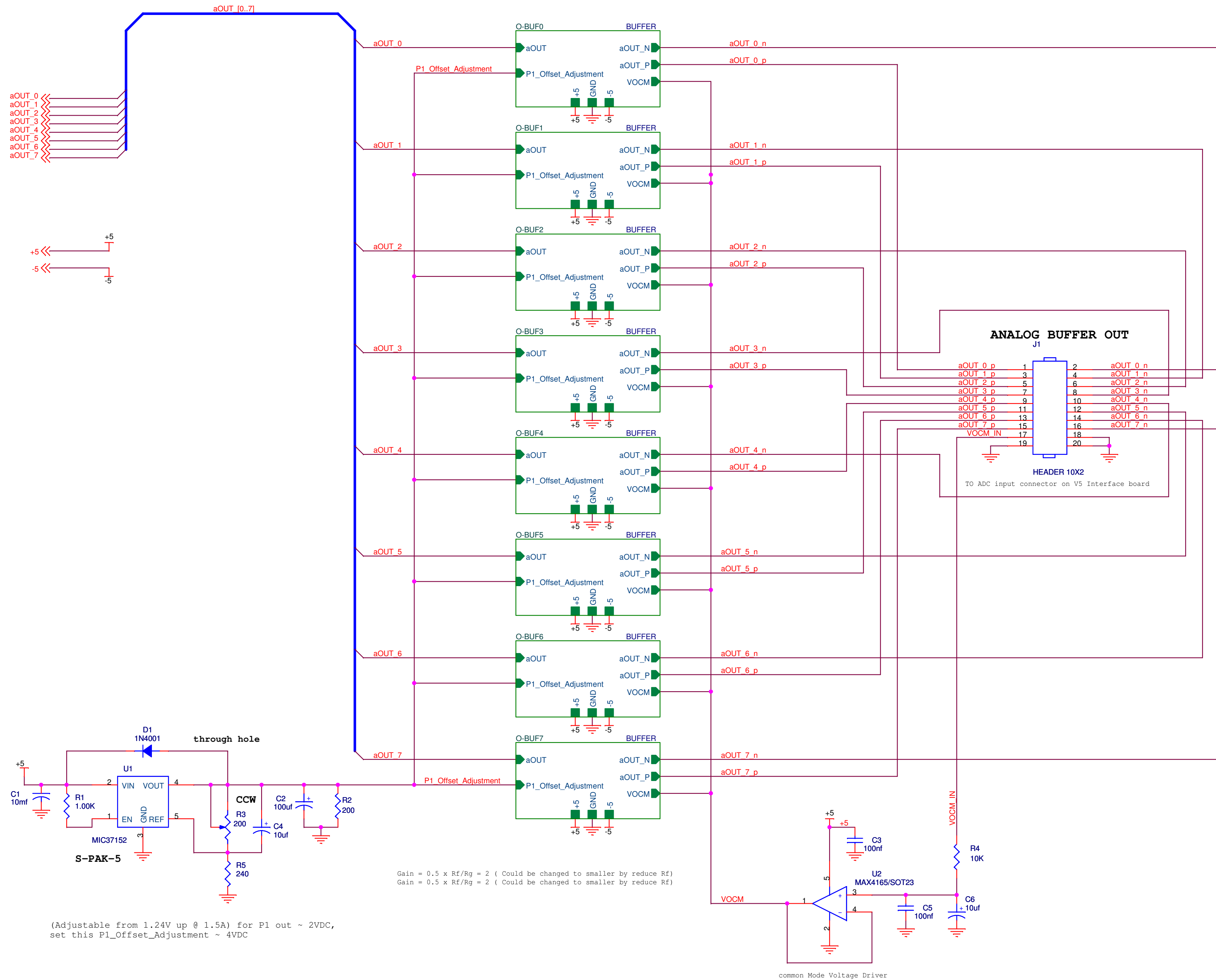


- PROBE CARD NOTES:**
- 1) All the Bypass cap need to locate as close as possible to the probe pins
  - 2) All the Bypass cap (except tantalum) and resistor are SM 0603 except where noted
  - 3) All differential pairs are 100 ohms impedance traces

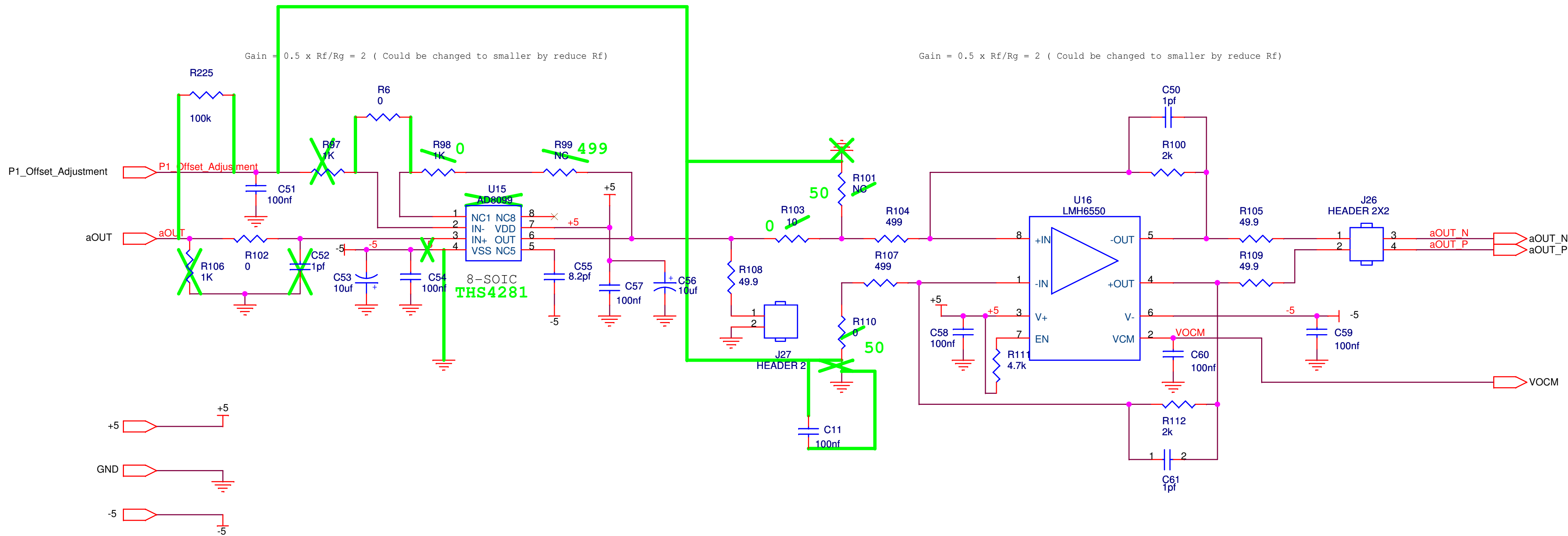




Gain = 0.5 x Rf/Rg = 2 ( Could be changed to smaller by reduce Rf)  
 Gain = 0.5 x Rf/Rg = 2 ( Could be changed to smaller by reduce Rf)

(Adjustable from 1.24V up @ 1.5A) for P1 out ~ 2VDC,  
 set this P1\_Offset\_Adjustment ~ 4VDC

common Mode Voltage Driver



Title		
<b>Phase 1 Analog Output Buffer</b>		
Size	Document Number	Rev
B	<Doc>	0
Date:	Thursday, July 09, 2009	Sheet 1 of 10