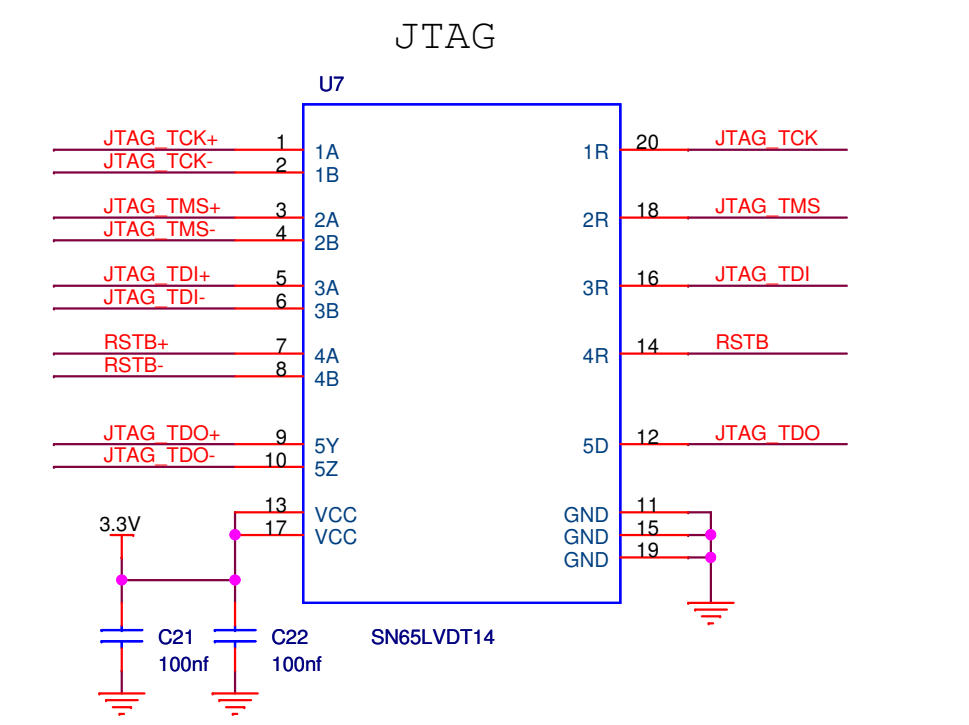
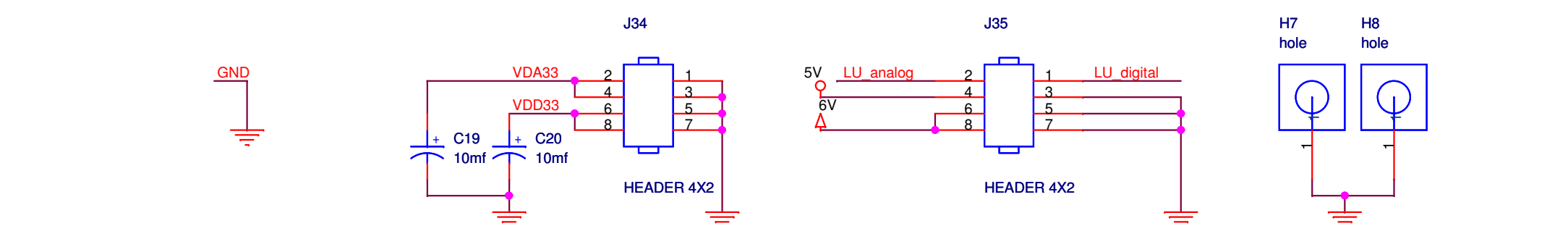
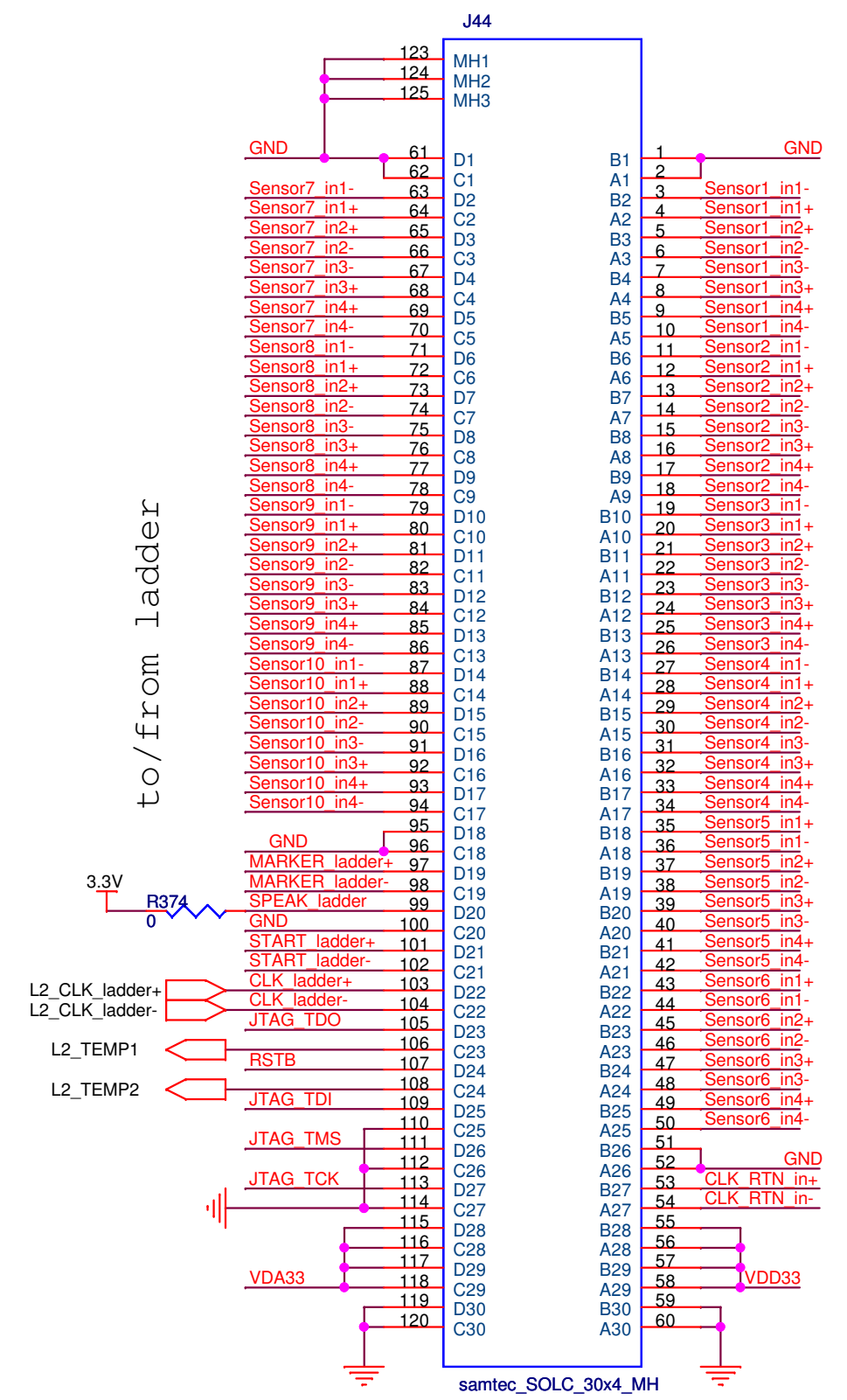
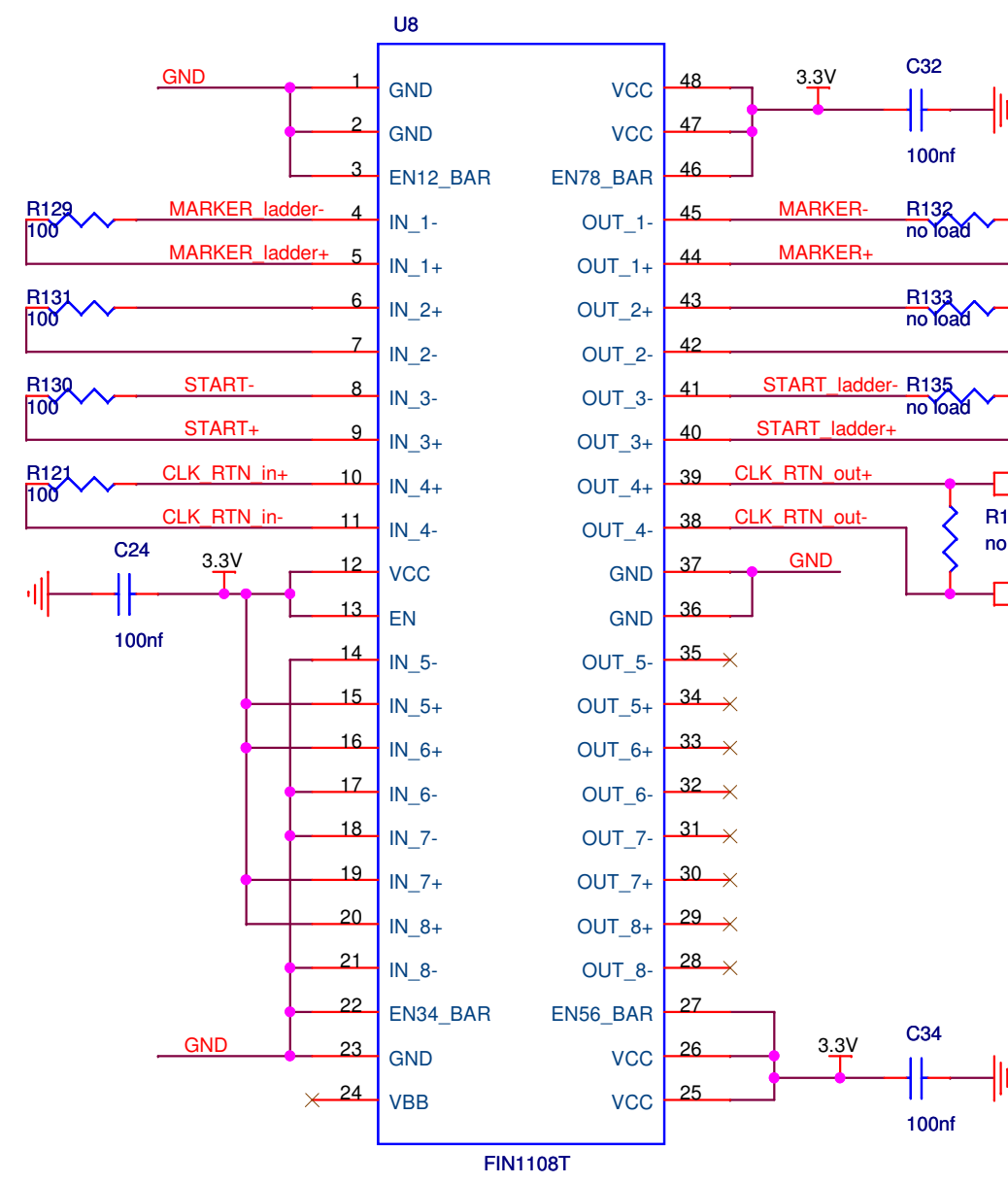
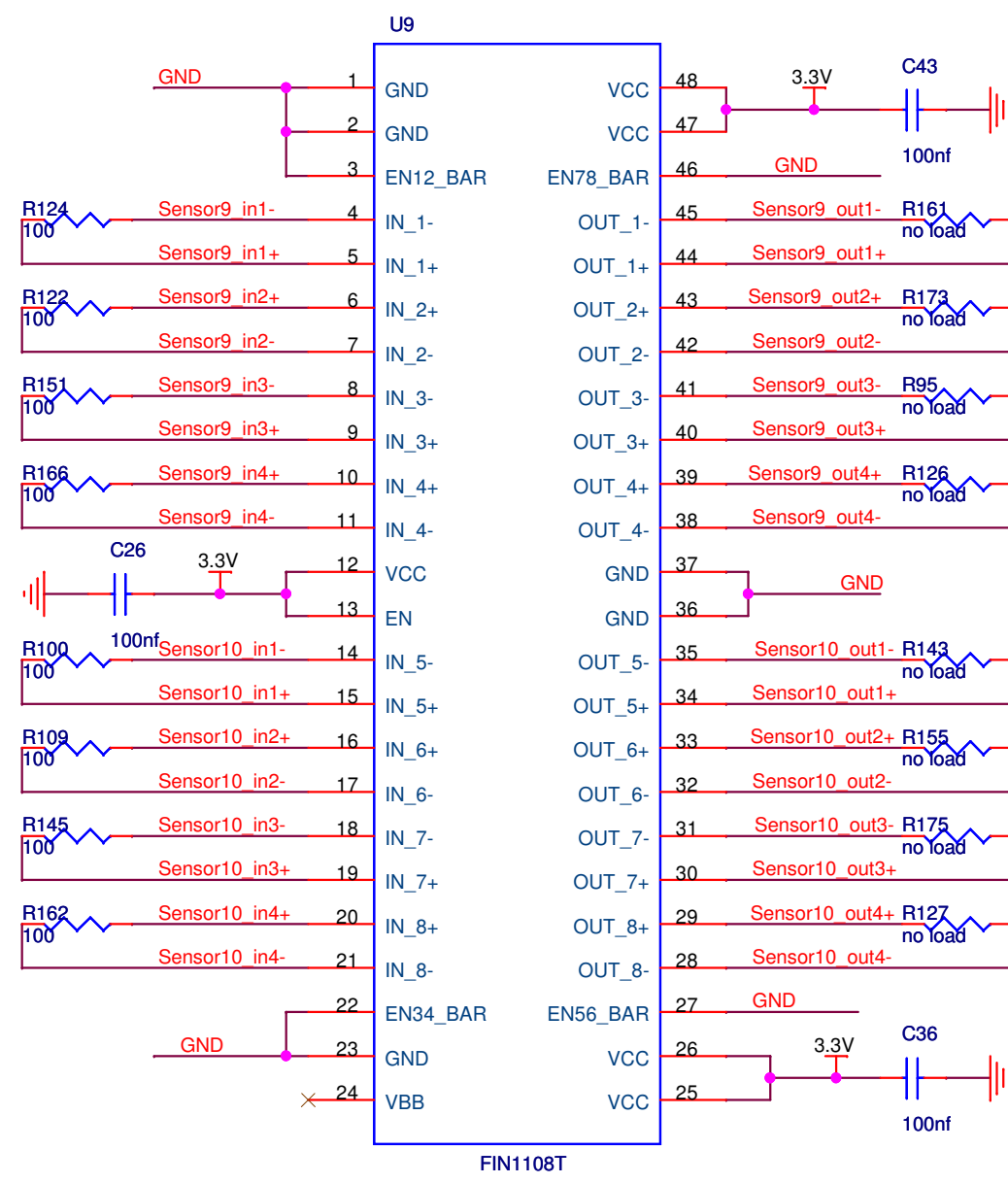
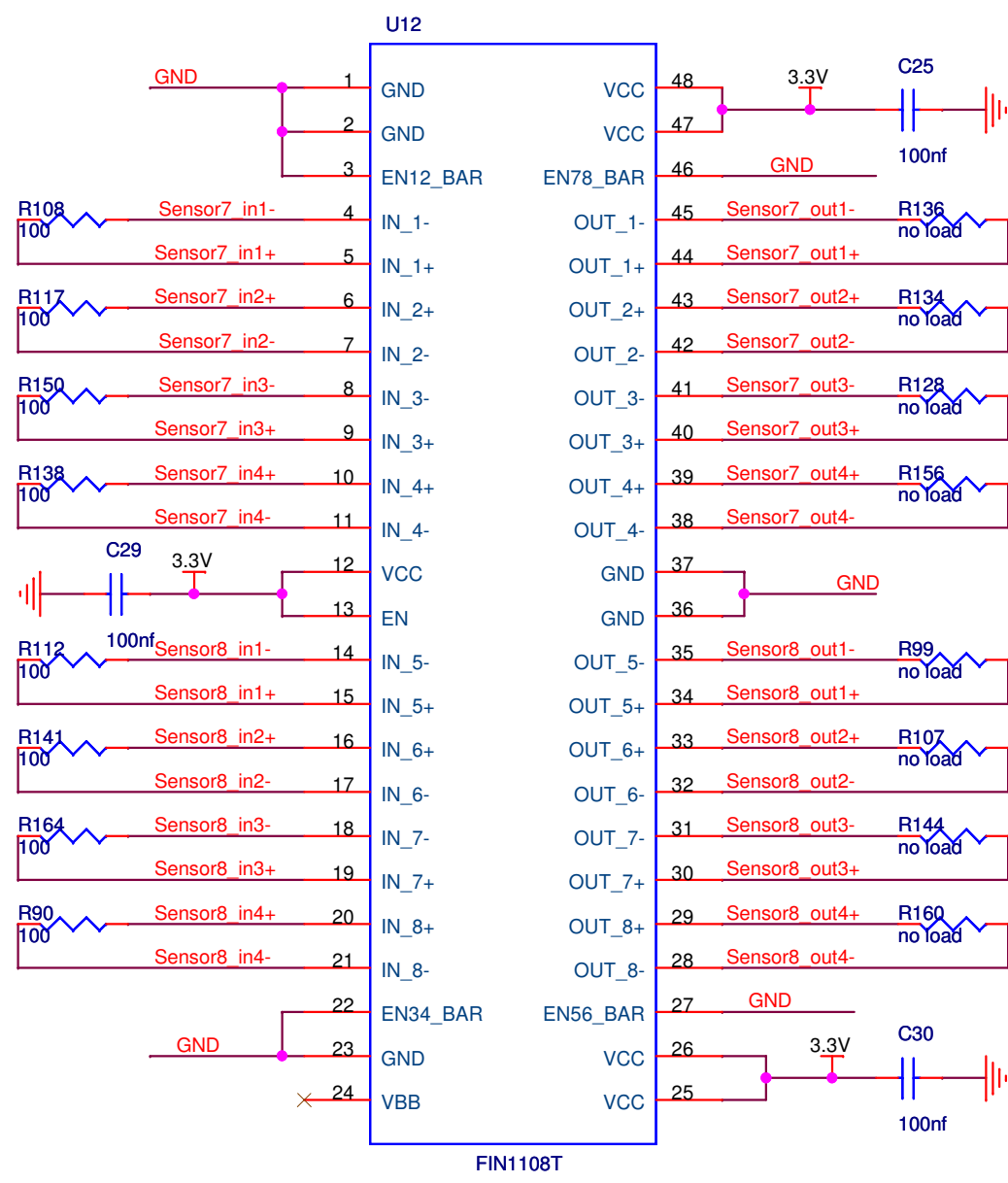
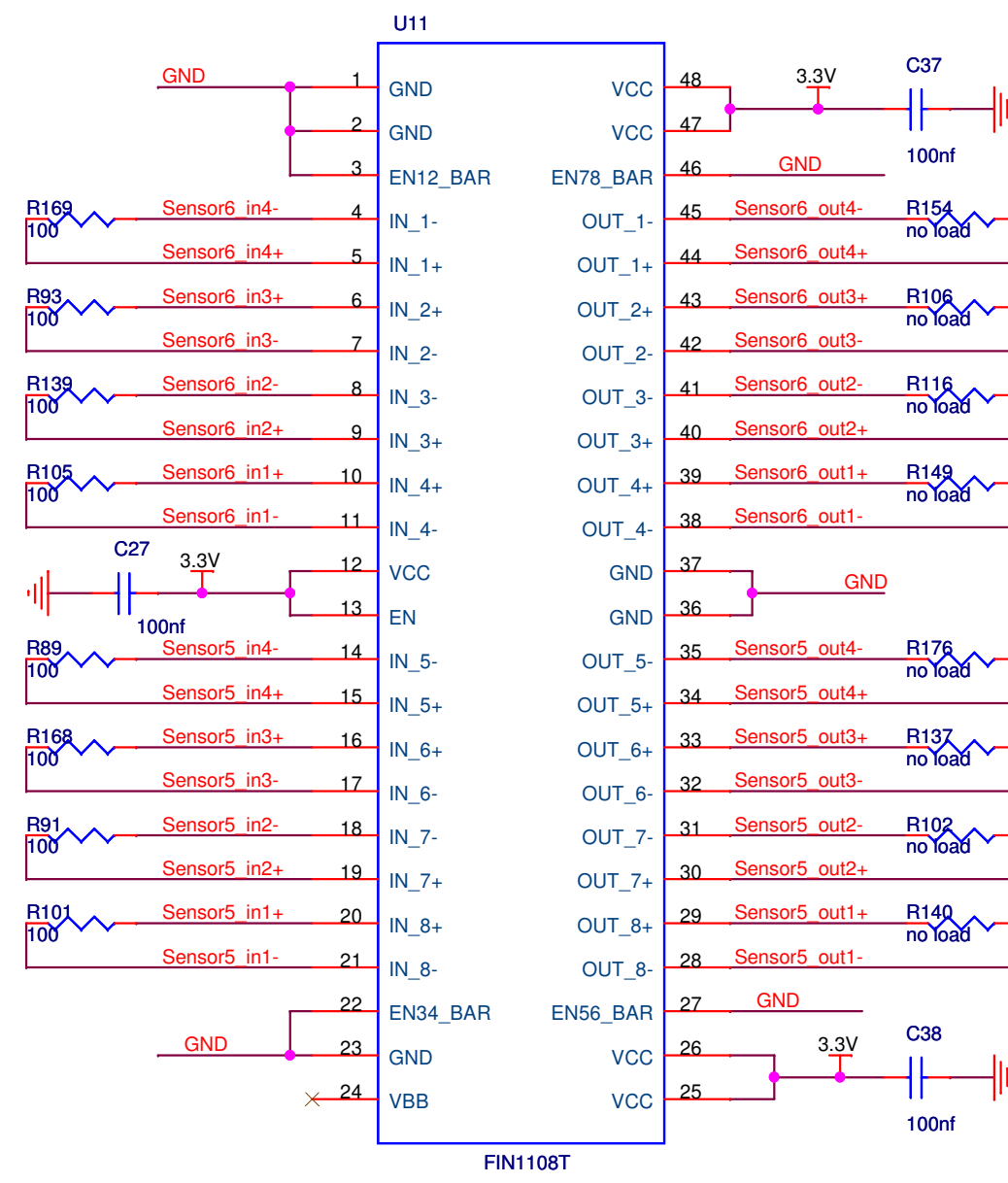
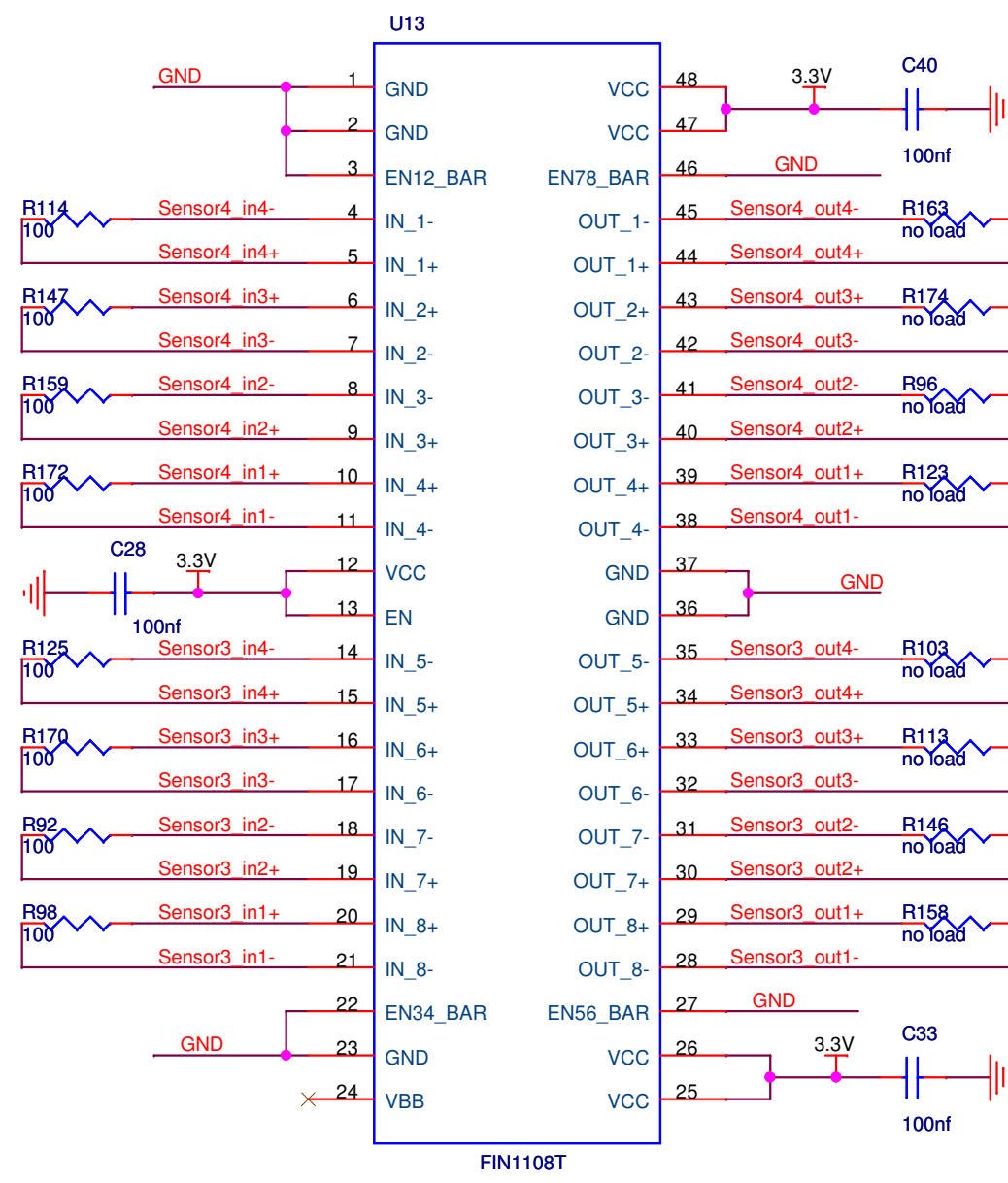
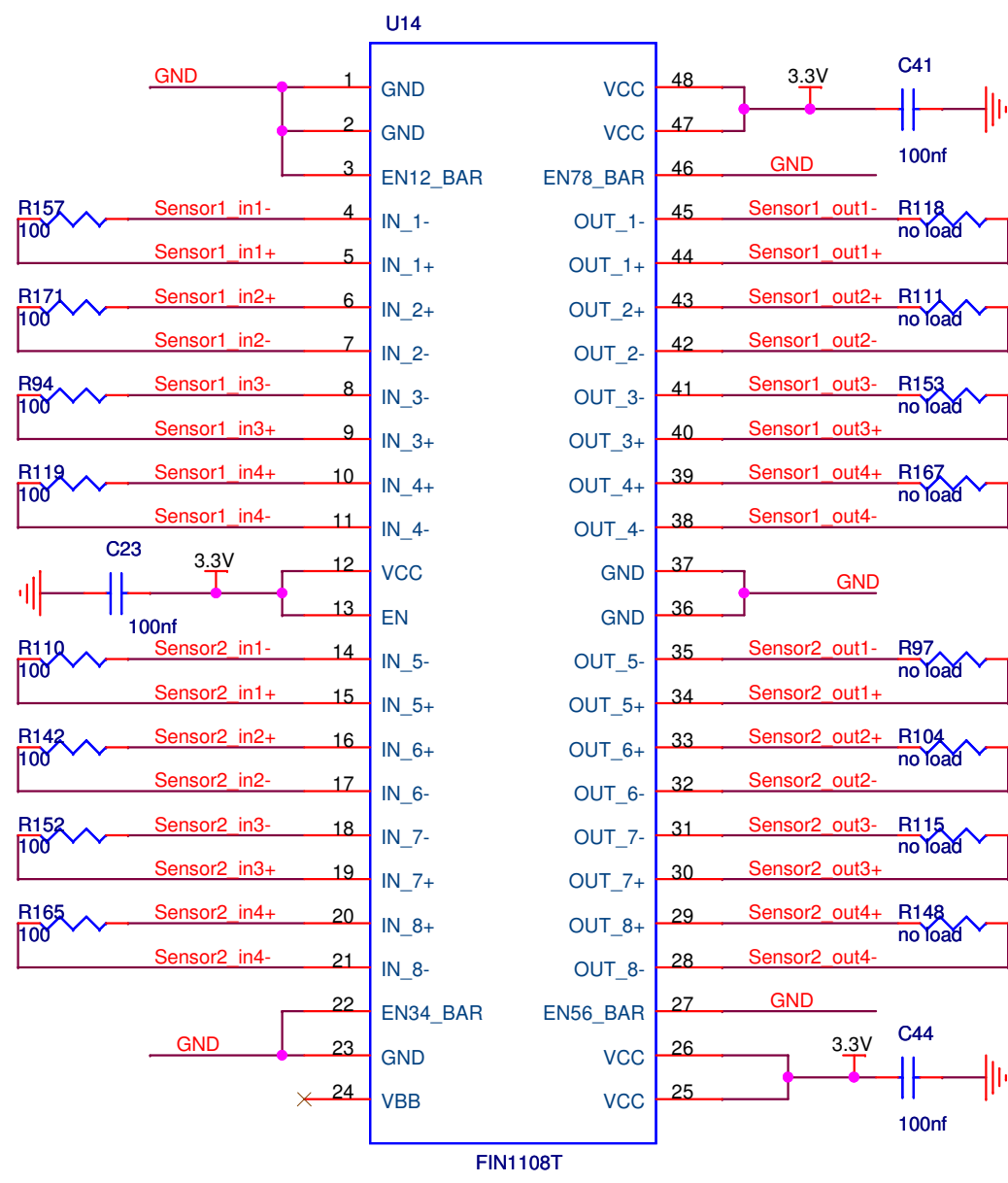
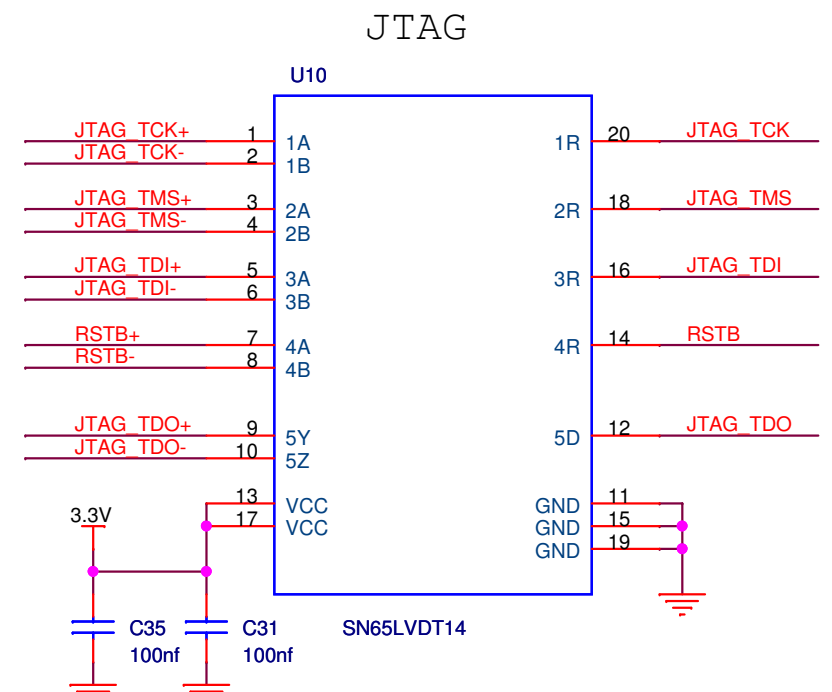
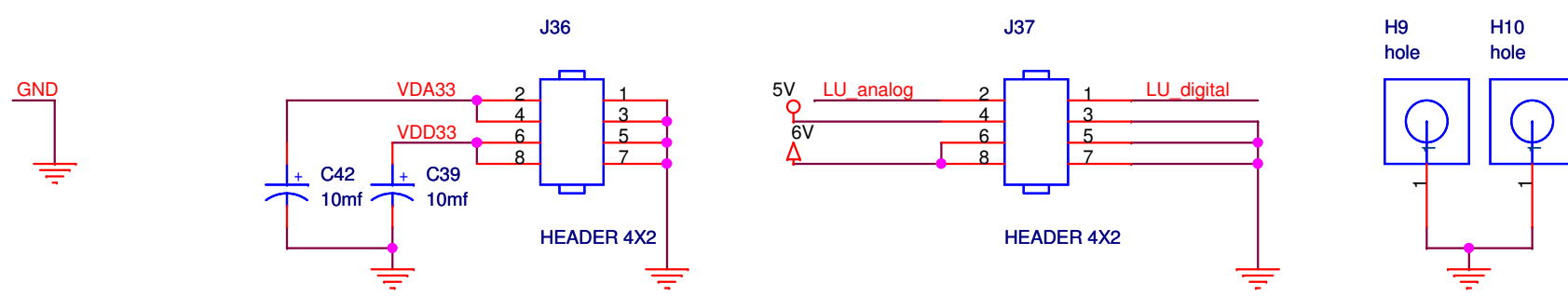


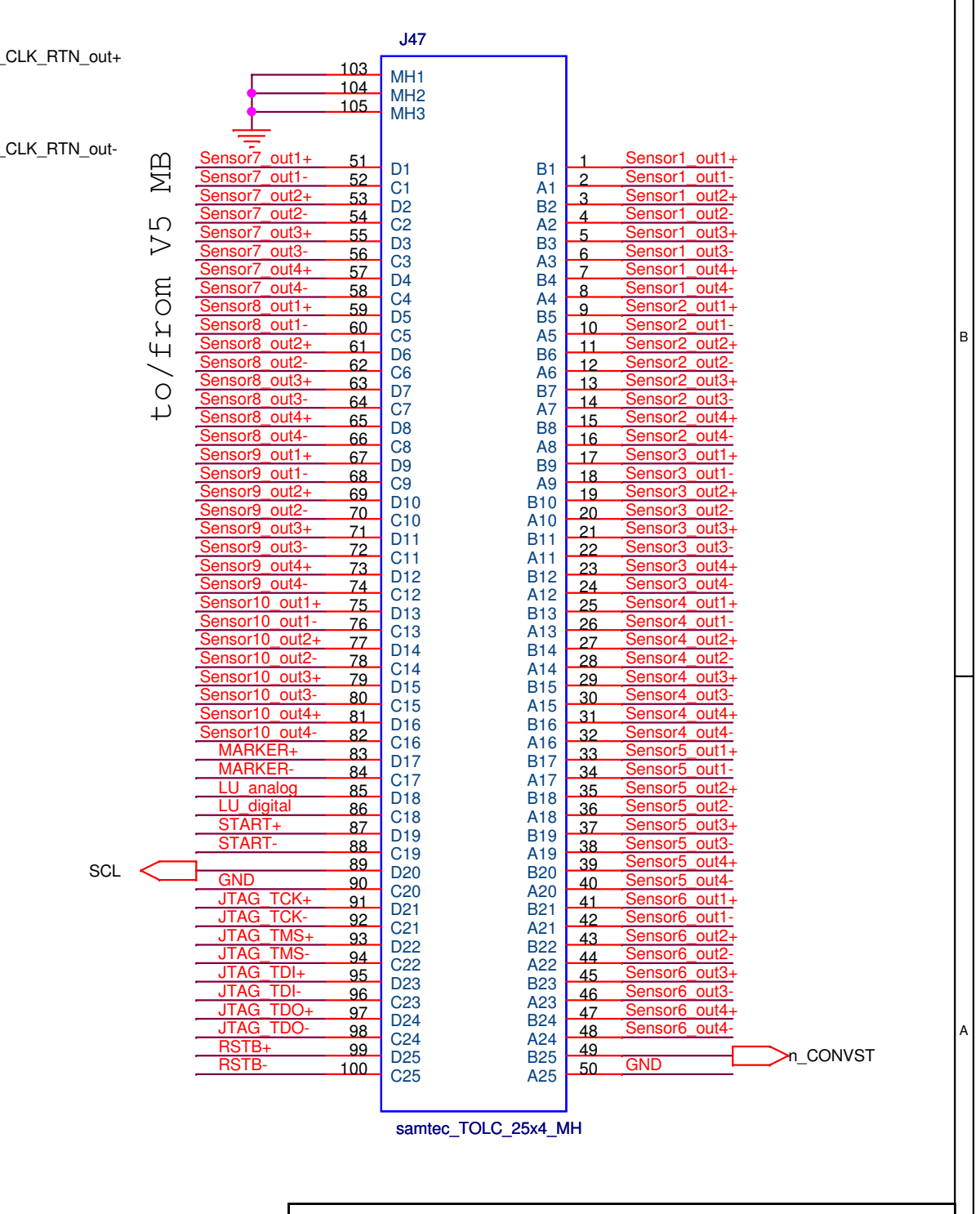
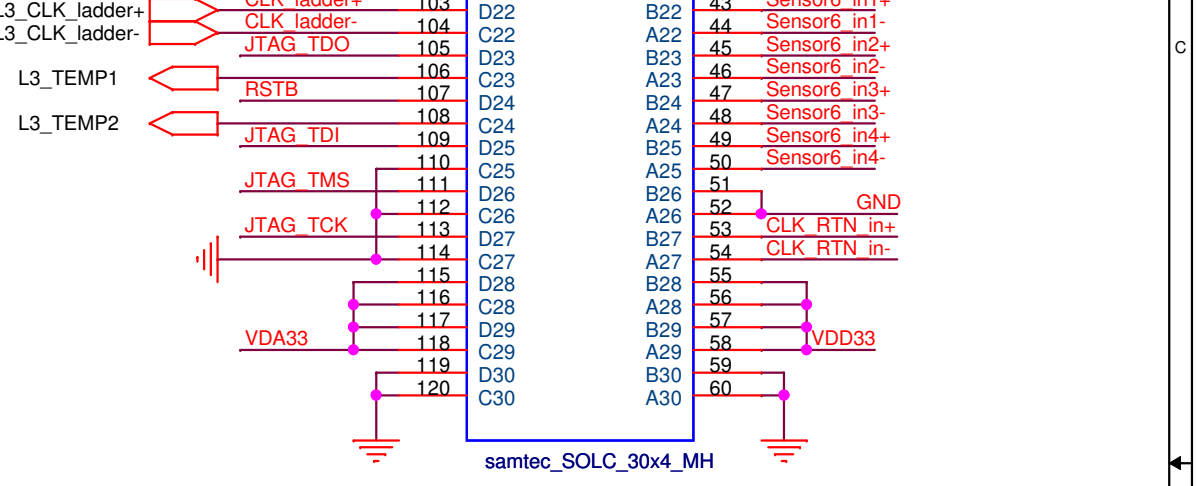
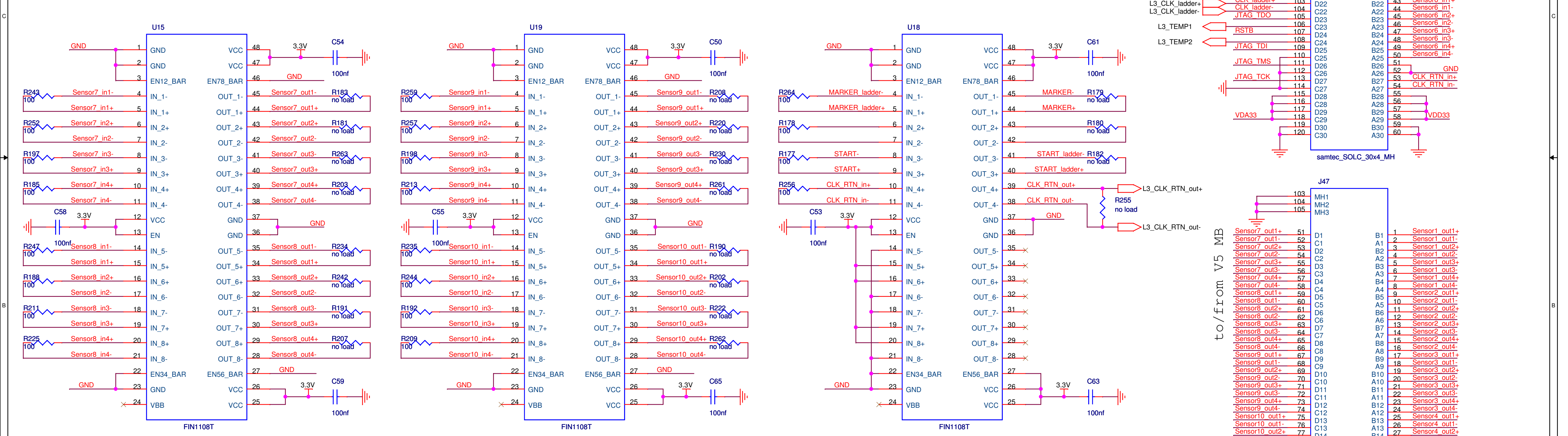
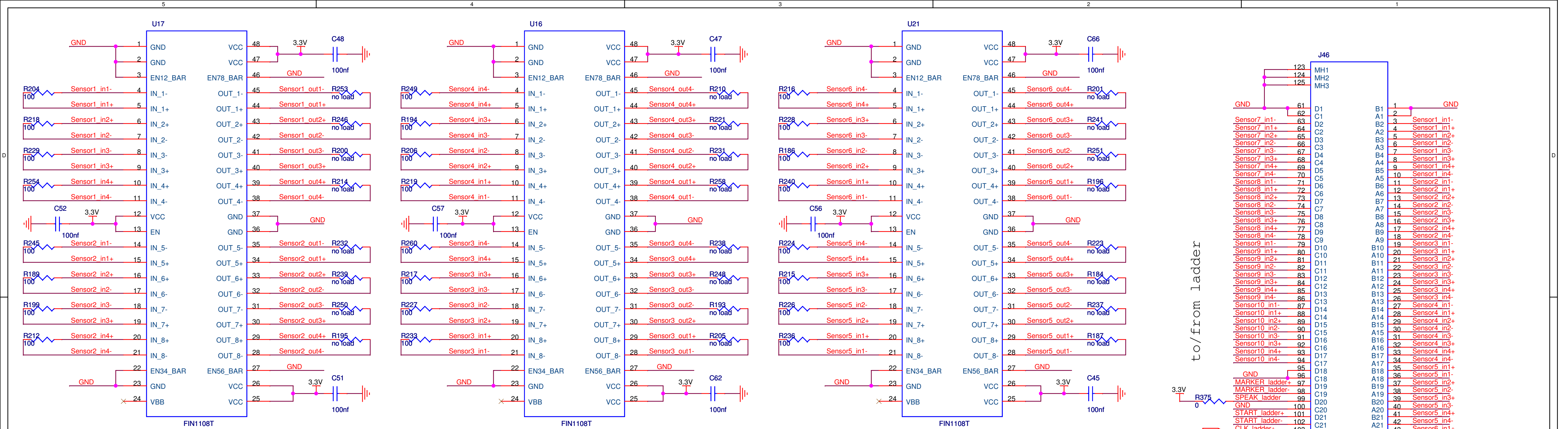
Power and Latch up protection



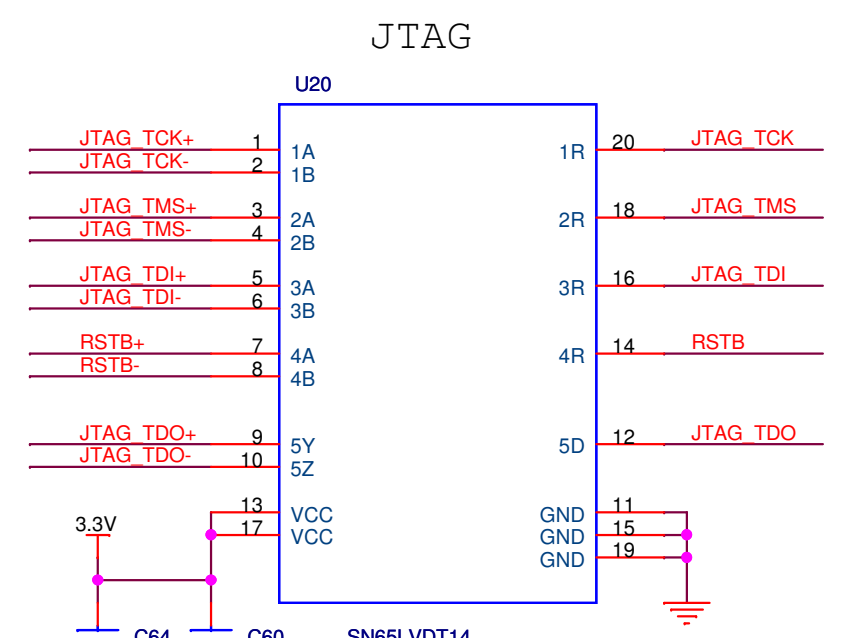
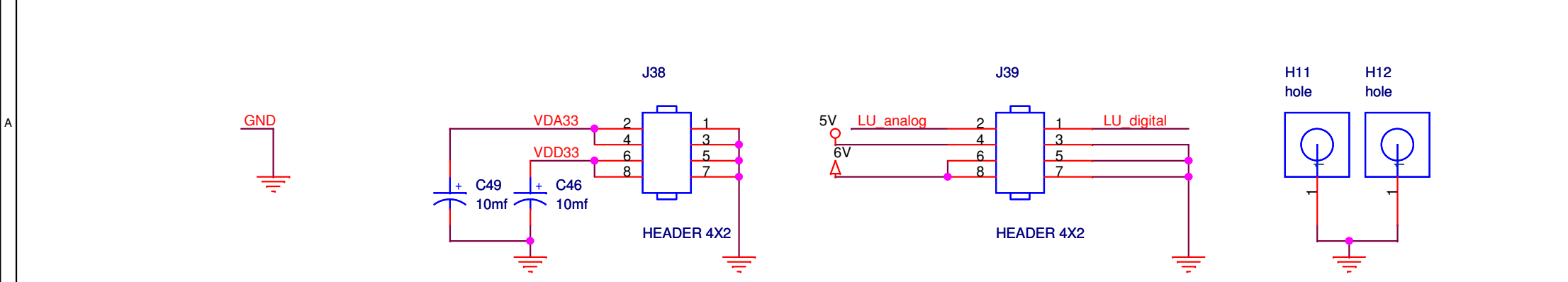


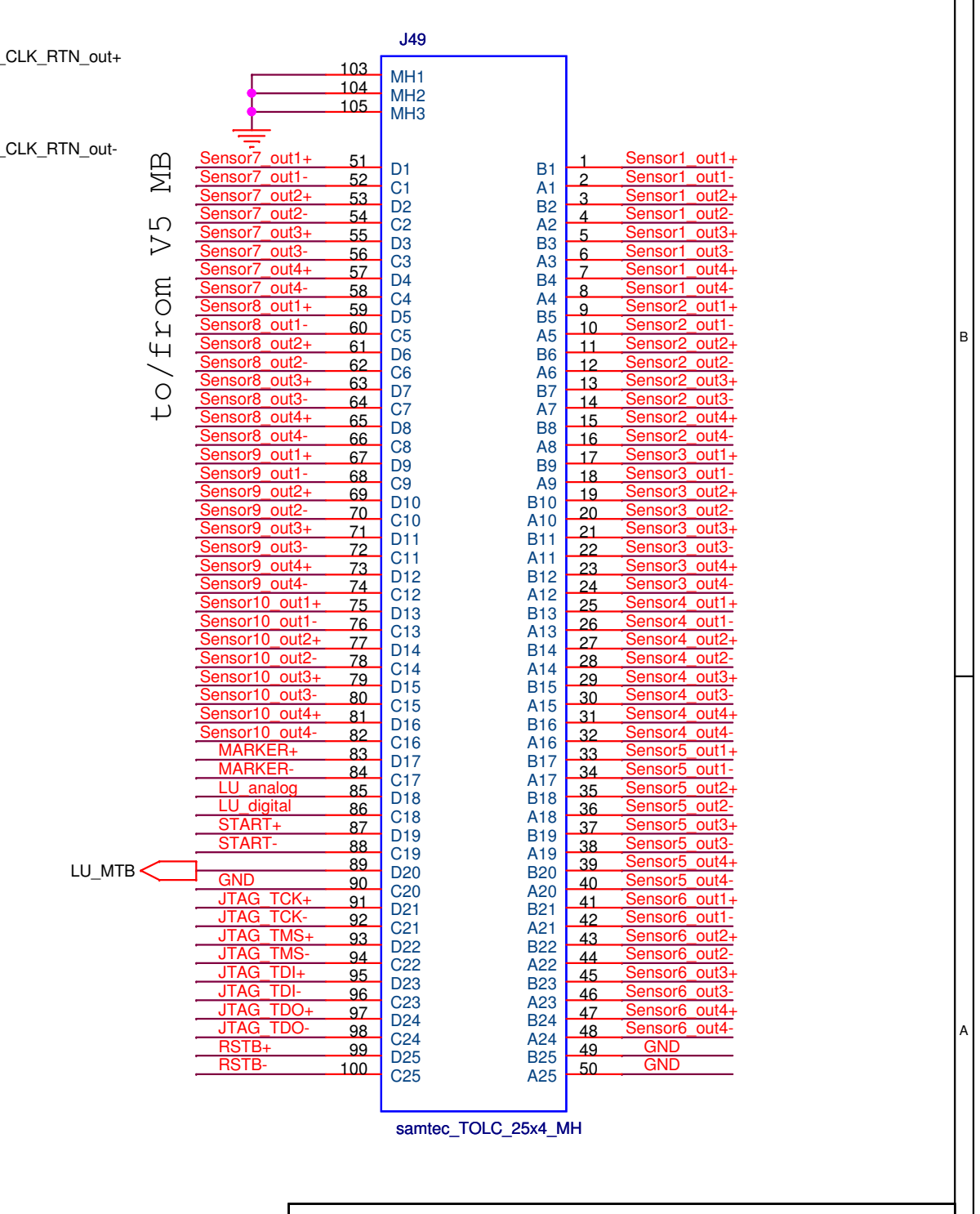
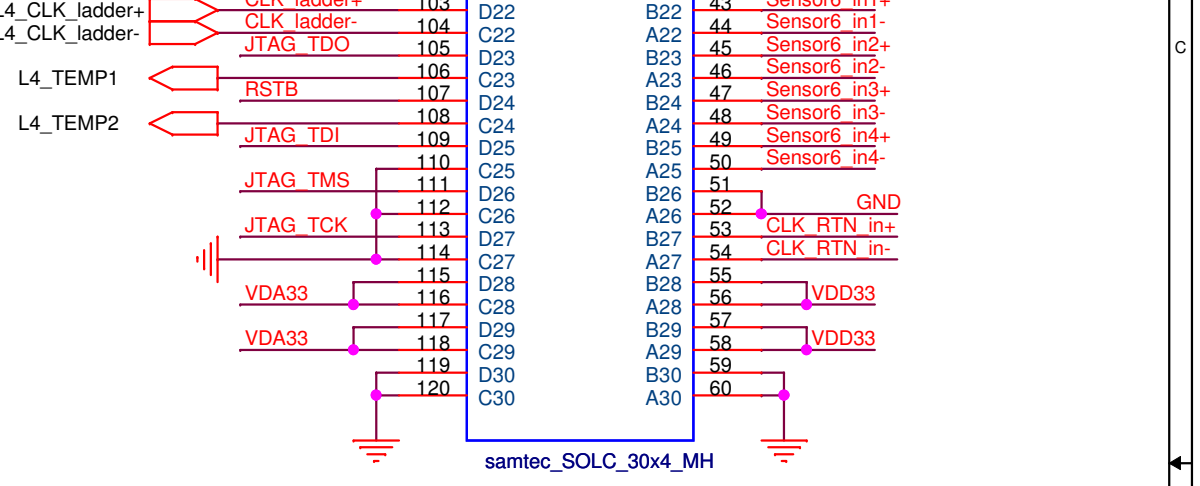
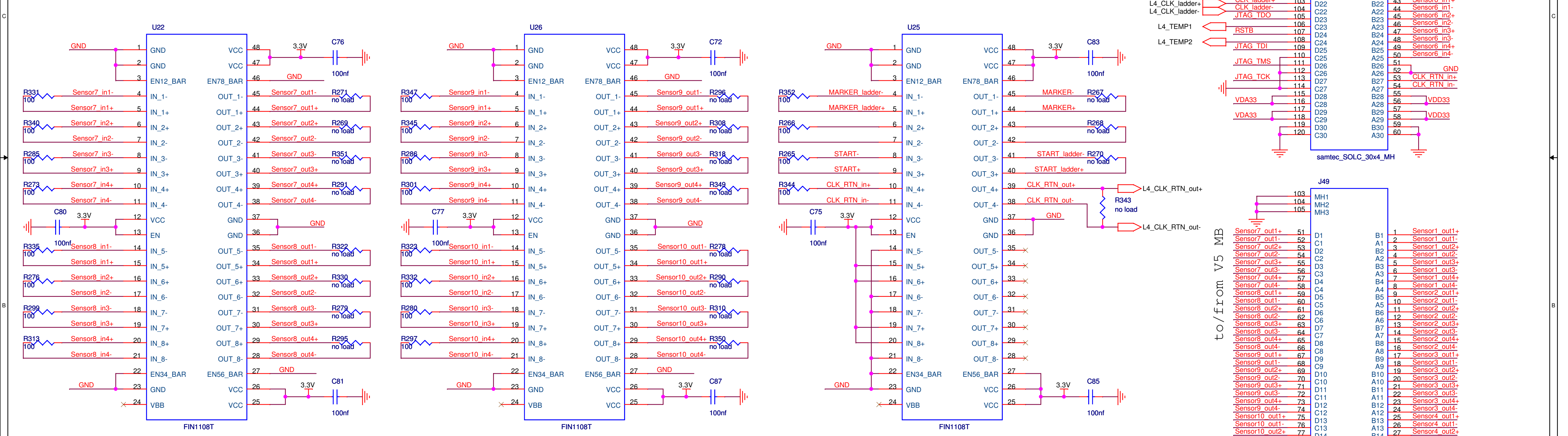
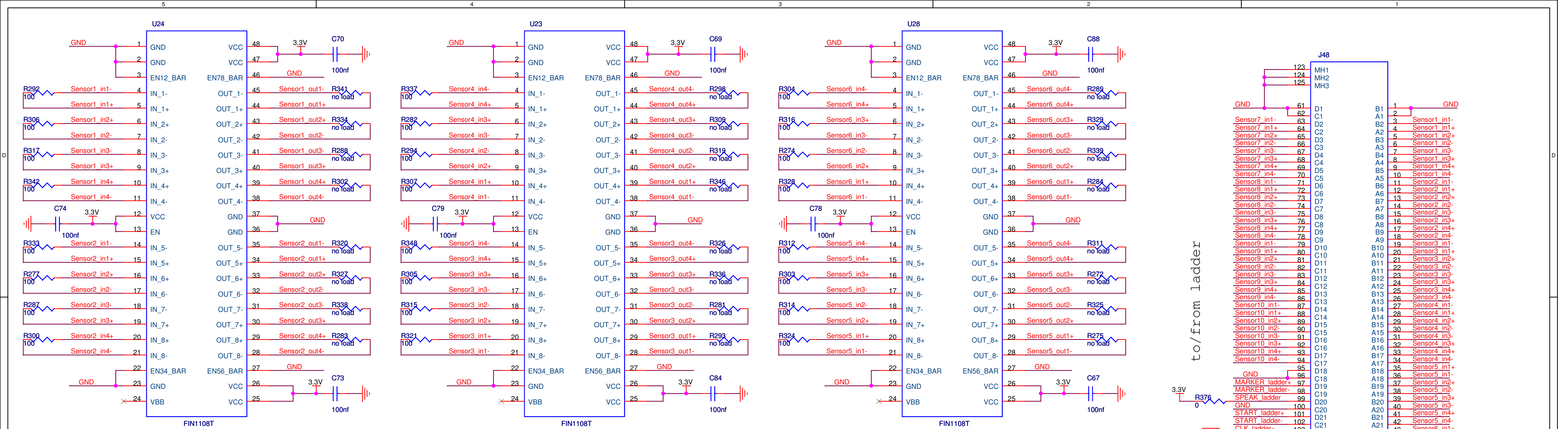
Power and Latch up protection



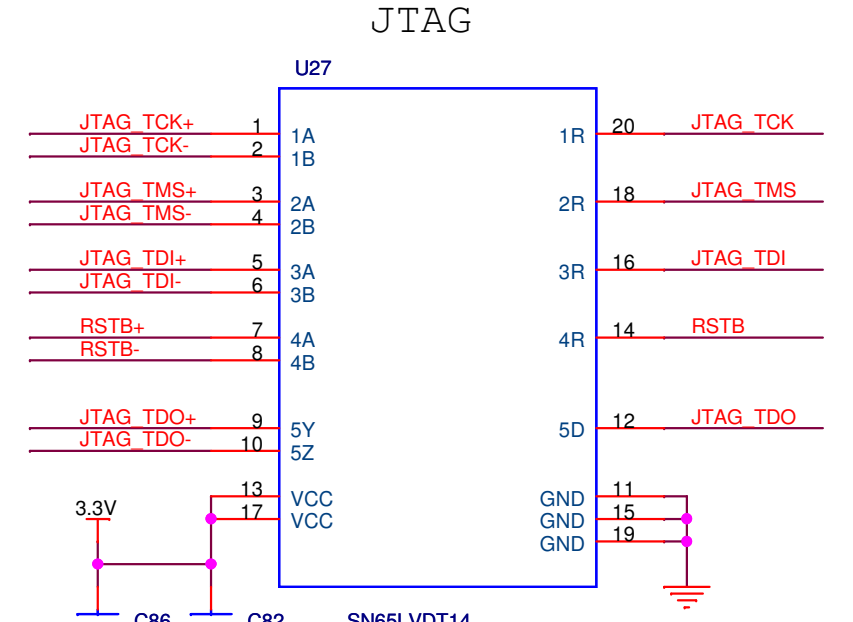
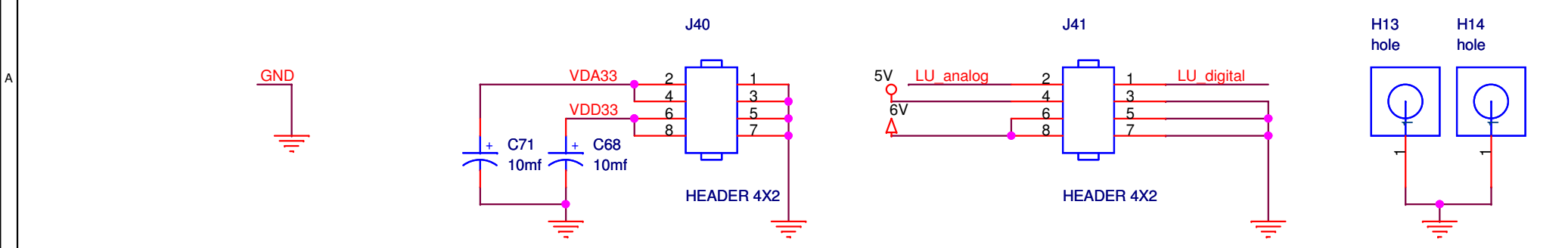


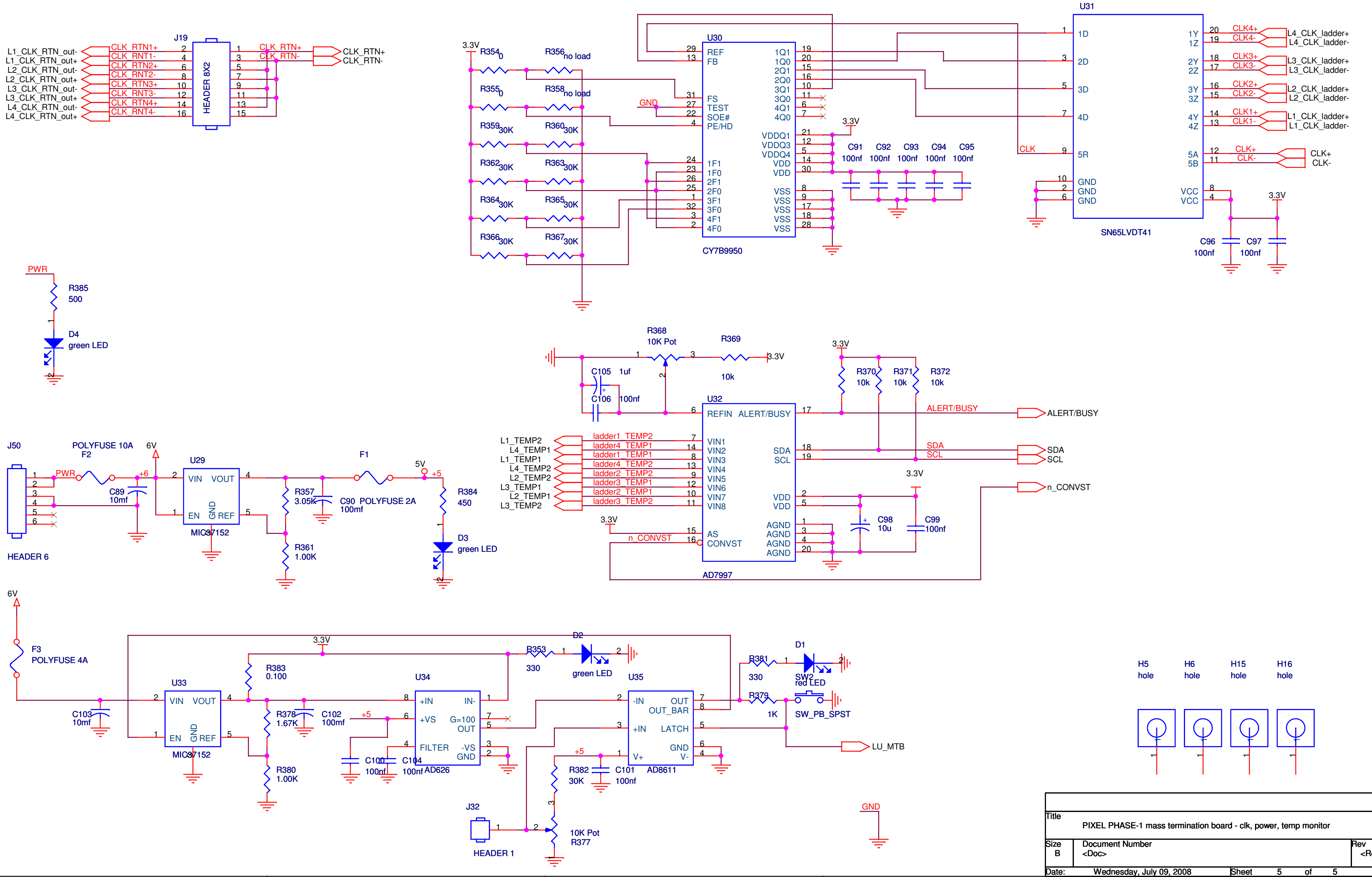
Power and Latch up protection





Power and Latch up protection





Title		
PIXEL PHASE-1 mass termination board - clk, power, temp monitor		
Size	Document Number	Rev
B	<Doc>	<RevCoc
Date:	Wednesday, July 09, 2008	Sheet 5 of 5